

DO NOT SCALE FROM THIS PRINT

DESIGNED & DIMENSIONED IN MILLIMETERS [INCHES]

ADP5-01SP1-13GJ1

IMPEDENCE 5: 50 OHM

-01SP1: SMA STRAIGHT PLUG

END2 -13GJ1: GRF STRAIGHT JACK

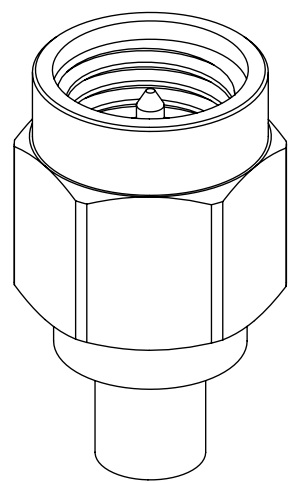
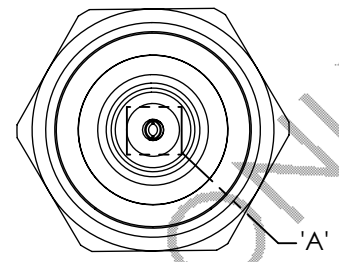
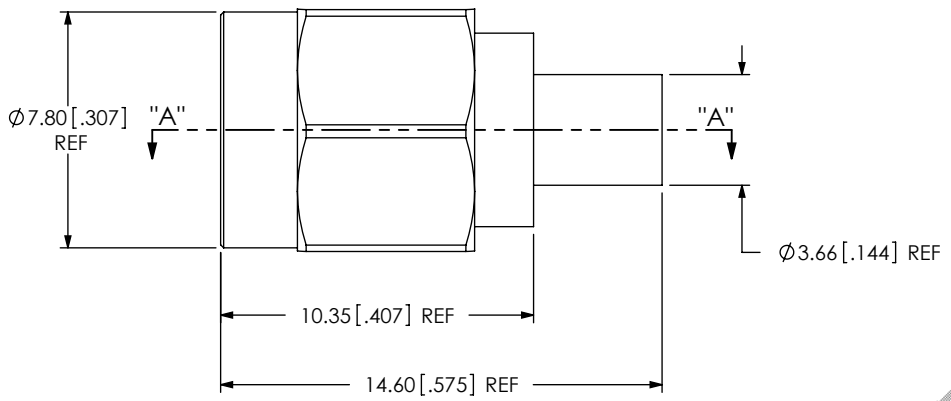
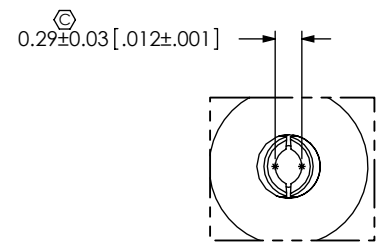
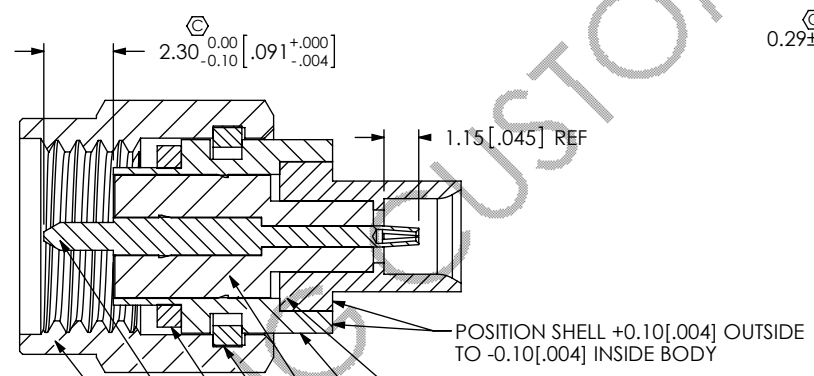


FIG. 1 ADP5-01SP1-13GJ1



DETAIL 'A' SCALE 12:1

- ADP5-13GJ1-SHL
- ADP5-01SP1-BDY
- ADP5-01SP1-13GJ1-INS
- SMA-CRNG-001
- SMA-GKT-001
- ADP5-01SP1-13GJ1-PIN
- SMA-CNUT-001-H

SECTION "A"- "A"

NOTES:

1. Ⓢ REPRESENTS A CRITICAL DIMENSION.
2. PUSHOUT FORCE FOR CENTER CONTACT: 26.69 N [6.00 LB] MIN.
3. SEE PLATING STANDARD #CO-PL-FRM-7001-M.

**THIS PRODUCT MANUFACTURED WITH LEAD-FREE PROCESSING**

F:\DWG\MISC\MKTG\ADP5-01SP1-13GJ1-MKT.SLDDRW

UNLESS OTHERWISE SPECIFIED, DIMENSIONS ARE IN MILLIMETERS.  
 TOLERANCES ARE:  
 DECIMALS ANGLES  
 X.X: ±0.3 [.01] 2°  
 X.XX: ±0.05 [.002]  
 X.XXX: ±0.025 [.0010]

**PROPRIETARY NOTE**  
 THIS DOCUMENT CONTAINS CONFIDENTIAL AND PROPRIETARY INFORMATION AND ALL DESIGN, MANUFACTURING, REPRODUCTION, USE, PATENT RIGHTS AND SALES RIGHTS ARE EXPRESSLY RESERVED BY SAMTEC, INC. THIS DOCUMENT SHALL NOT BE DISCLOSED, IN WHOLE OR PART, TO ANY UNAUTHORIZED PERSON OR ENTITY NOR REPRODUCED, TRANSFERRED OR INCORPORATED IN ANY OTHER PROJECT IN ANY MANNER WITHOUT THE EXPRESS WRITTEN CONSENT OF SAMTEC, INC.

**MATERIAL:** DO NOT SCALE DRAWING SHEET SCALE: 4:1  
**BODY:** BeCu  
**CONTACT:** COPPER ALLOY  
**DIELECTRIC:** PTFE

<b>samtec</b>	
520 PARK EAST BLVD., NEW ALBANY, IN 47150 PHONE: 812-944-6733 FAX: 812-948-5047 e-Mail: info@SAMTEC.com code 55322	
DESCRIPTION: SMA STR PLUG TO GRF STR JACK, 50 OHM	
DWG. NO. ADP5-01SP1-13GJ1	
BY: ALVIN W 06/27/2010	SHEET 1 OF 1