

DO NOT SCALE FROM THIS PRINT

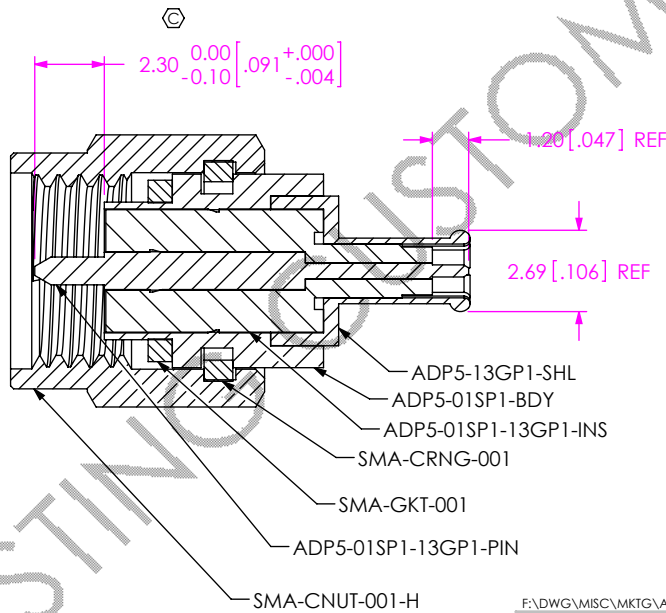
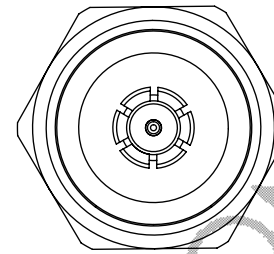
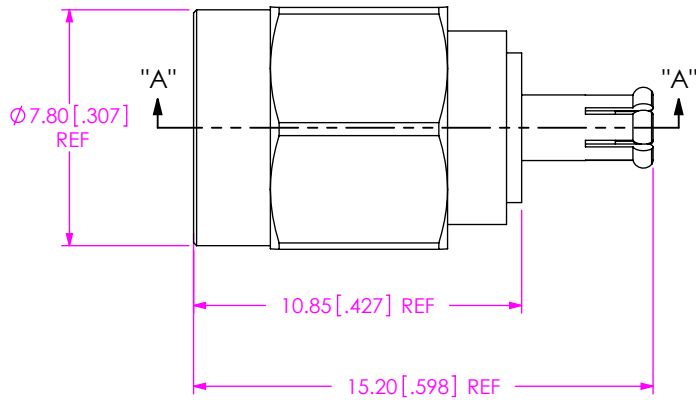
DESIGNED & DIMENSIONED IN MILLIMETERS [INCHES]

ADP5-01SP1-13GP1

IMPEDENCE
5: 50 OHM

END1
-01SP1: SMA STRAIGHT PLUG

END2
-13GP1: GRF STRAIGHT PLUG



SECTION "A"- "A"

THIS PRODUCT MANUFACTURED WITH LEAD-FREE PROCESSING

NOTES:

1. Ⓢ REPRESENTS A CRITICAL DIMENSION.
2. PUSHOUT FORCE FOR CENTER CONTACT: 26.69 N [6.00 LB] MIN.
3. SEE PLATING STANDARD #CO-PL-FRM-7001-M.

F:\DWG\MISC\MKTG\ADP5-01SP1-13GP1-MKT.SLDDRW

UNLESS OTHERWISE SPECIFIED, DIMENSIONS ARE IN MILLIMETERS.
TOLERANCES ARE:
DECIMALS ANGLES
X.X: ±0.3 [.01] 2°
X.XX: ±0.05 [.002]
X.XXX: ±0.025 [.0010]

PROPRIETARY NOTE
THIS DOCUMENT CONTAINS CONFIDENTIAL AND PROPRIETARY INFORMATION AND ALL DESIGN, MANUFACTURING, REPRODUCTION, USE, PATENT RIGHTS AND SALES RIGHTS ARE EXPRESSLY RESERVED BY SAMTEC, INC. THIS DOCUMENT SHALL NOT BE DISCLOSED, IN WHOLE OR PART, TO ANY UNAUTHORIZED PERSON OR ENTITY NOR REPRODUCED, TRANSFERRED OR INCORPORATED IN ANY OTHER PROJECT IN ANY MANNER WITHOUT THE EXPRESS WRITTEN CONSENT OF SAMTEC, INC.

MATERIAL: DO NOT SCALE DRAWING SHEET SCALE: 4:1
BODY: BeCu
CONTACT: COPPER ALLOY
DIELECTRIC: PTFE

DESCRIPTION: SMA STR PLUG TO GRF STR PLUG, 50 OHM
DWG. NO. ADP5-01SP1-13GP1
BY: ALVIN W 07/02/2010 SHEET 1 OF 1



520 PARK EAST BLVD, NEW ALBANY, IN 47150
PHONE: 812-944-6733 FAX: 812-948-5047
e-Mail info@SAMTEC.com code 55322