

DO NOT SCALE FROM THIS PRINT

TABLE 1		
ITEM	COMPONENT	-2
1	SHELL 1	ADP7-76SJ2-7VSJ1-SHL
2	CENTER CONTACT	ADP5-06SJ2-V3SJ1-PIN
3	INSULATOR	ADP5-06SJ2-V3SJ1-INS
4	SHELL 2	ADP5-06SJ2-V3SJ1-SHL

DESIGNED & DIMENSIONED IN MILLIMETERS [INCHES]

ADP5-06SJ2-V3SJ1

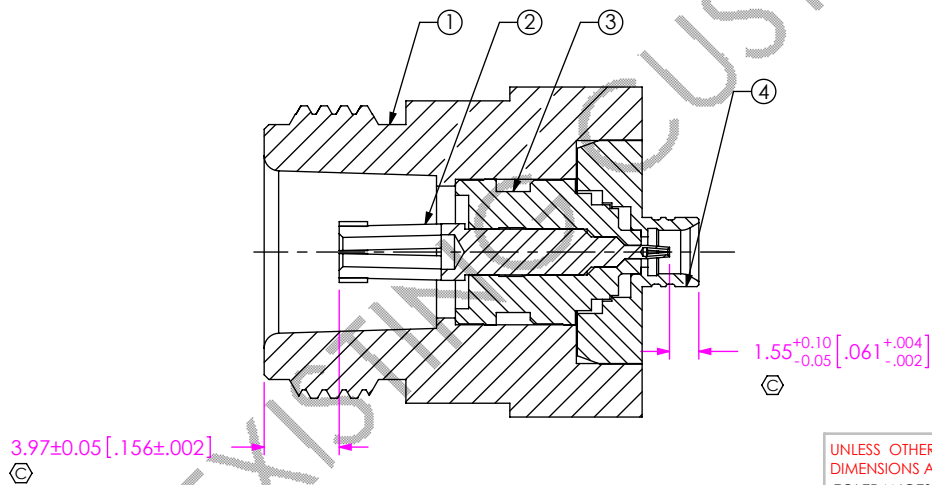
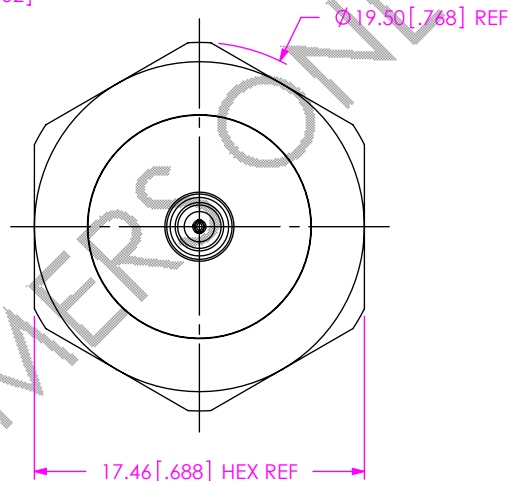
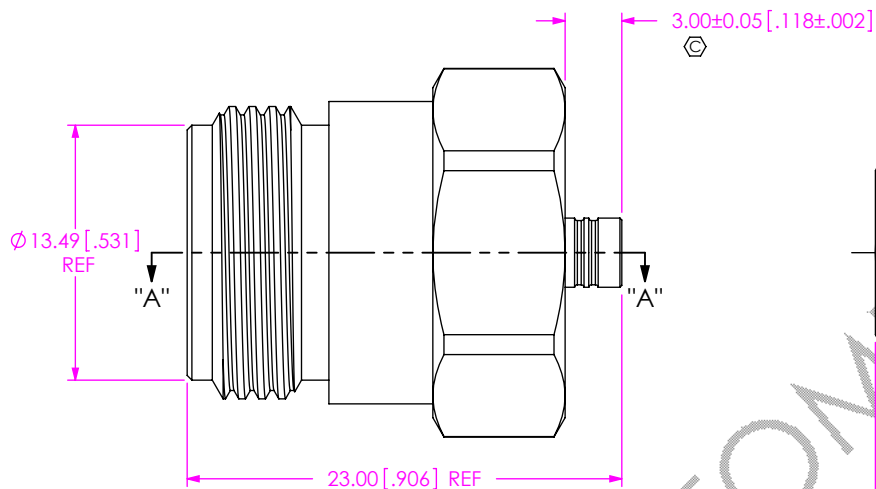
IMPEDANCE
-5: 50 OHM

END 1
-06SJ: N TYPE STRAIGHT JACK

PLATING SPECIFICATION
-1: 30μ" GOLD CENTER CONTACT,
(SEE TABLE 1, ITEM 2)
3μ" GOLD OUTER CONTACT
(SEE TABLE 1, ITEM 4)

END 2
-V3SJ: MMCXV STRAIGHT JACK

PLATING SPECIFICATION
-2: 30μ" GOLD CENTER CONTACT,
(SEE TABLE 1, ITEM 2)
100μ" NICKEL OUTER CONTACT
(SEE TABLE 1, ITEM 1)



SECTION "A"- "A"

NOTES:

1. C REPRESENTS A CRITICAL DIMENSION.
2. PRODUCT TO BE PACKAGED PER PACKING STANDARD CO-HD-WI-3040-M.
TRAY: TY-BNC002-1
COVER: TY-BNC002-2
36 PARTS PER TRAY (ONE PART PER POCKET).

UNLESS OTHERWISE SPECIFIED, DIMENSIONS ARE IN MILLIMETERS.

TOLERANCES ARE:

DECIMALS	ANGLES
X.X: ± 0.3 [.01]	5°
X.XX: ± 0.13 [.005]	
X.XXX: ± 0.051 [.0020]	

PROPRIETARY NOTE

THIS DOCUMENT CONTAINS CONFIDENTIAL AND PROPRIETARY INFORMATION AND ALL DESIGN, MANUFACTURING, REPRODUCTION, USE, PATENT RIGHTS AND SALES RIGHTS ARE EXPRESSLY RESERVED BY SAMTEC, INC. THIS DOCUMENT SHALL NOT BE DISCLOSED, IN WHOLE OR PART, TO ANY UNAUTHORIZED PERSON OR ENTITY NOR REPRODUCED, TRANSFERRED OR INCORPORATED IN ANY OTHER PROJECT IN ANY MANNER WITHOUT THE EXPRESS WRITTEN CONSENT OF SAMTEC, INC.



520 PARK EAST BLVD, NEW ALBANY, IN 47150
PHONE: 812-944-6733 FAX: 812-948-5047
e-Mail info@SAMTEC.com code 55322

MATERIAL: DO NOT SCALE DRAWING SHEET SCALE: 5:2
SHELLS: BRASS
CENTER CONTACT: BeCu
INSULATOR : PTFE

DESCRIPTION:
N TYPE ST JACK TO MMCXV ST JACK ADAPTER, 50 OHM
DWG. NO.

ADP5-06SJ2-V3SJ1

BY: ALVINW 08/07/2012 SHEET 1 OF 1