

TABLE 1

ITEM	COMPONENT	-2
1	SHELL 1	ADP7-76SJ2-7VSJ1-SHL
2	CENTER CONTACT	ADP5-06SJ2-V3SP1-PIN
3	INSULATOR	ADP5-06SJ2-V3SP1-INS
4	BODY	ADP5-06SJ2-V3SP1-BDY
5	SHELL 2	ADP5-V3SP1-SHL

DO NOT SCALE FROM THIS PRINT

DESIGNED & DIMENSIONED IN MILLIMETERS [INCHES]

ADP5-06SJ2-V3SP1

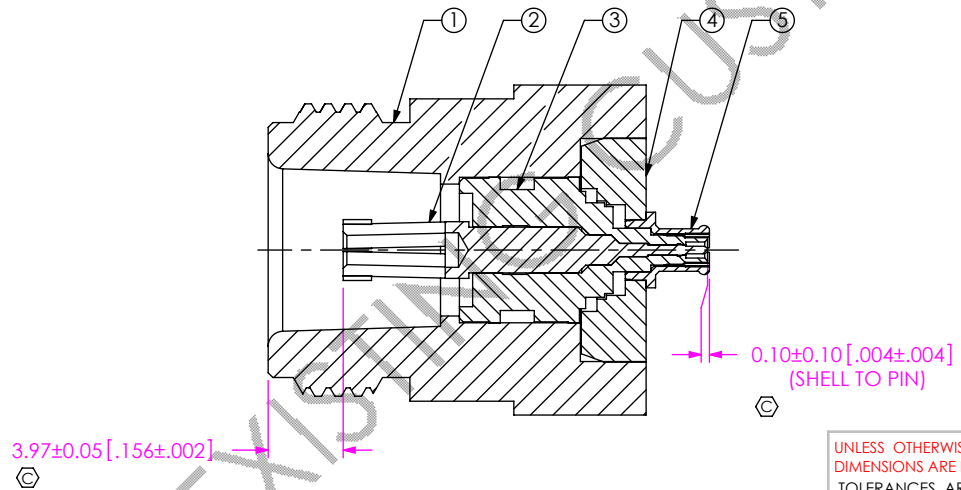
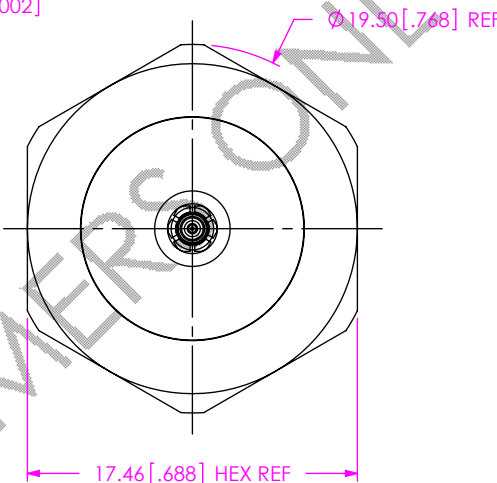
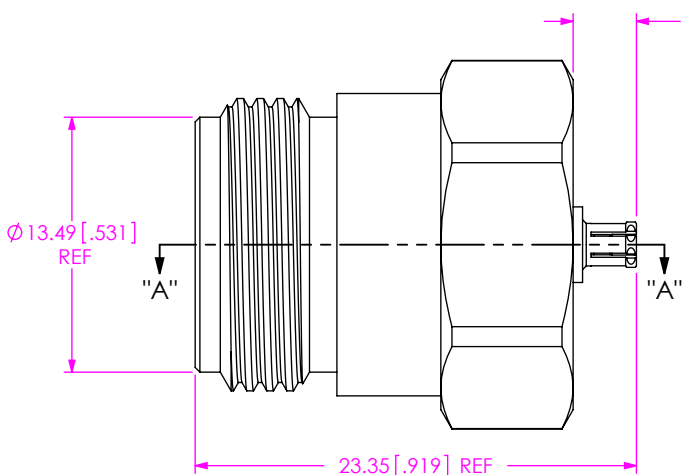
IMPEDANCE
-5: 50 OHM

PLATING SPECIFICATION
-1: 30µ" GOLD CENTER CONTACT,
(SEE TABLE 1, ITEM 2)
3µ" GOLD OUTER CONTACT
(SEE TABLE 1, ITEM 4, 5)

END 1
-06SJ: N TYPE STRAIGHT JACK

END 2
-V3SP: MMCXV STRAIGHT PLUG

PLATING SPECIFICATION
-2: 30µ" GOLD CENTER CONTACT,
(SEE TABLE 1, ITEM 2)
100µ" NICKEL OUTER CONTACT
(SEE TABLE 1, ITEM 1)



SECTION "A"- "A"

NOTES:

1. Ⓢ REPRESENTS A CRITICAL DIMENSION.
2. PRODUCT TO BE PACKAGED PER PACKING STANDARD CO-HD-WI-3040-M.
TRAY: TY-BNC002-1
COVER: TY-BNC002-2
36 PARTS PER TRAY (ONE PART PER POCKET).

UNLESS OTHERWISE SPECIFIED, DIMENSIONS ARE IN MILLIMETERS.
TOLERANCES ARE:
DECIMALS ANGLES
X.X: ±0.3 [.01] 5°
X.XX: ±0.13 [.005]
X.XXX: ±0.051 [.0020]

PROPRIETARY NOTE
THIS DOCUMENT CONTAINS CONFIDENTIAL AND PROPRIETARY INFORMATION AND ALL DESIGN, MANUFACTURING, REPRODUCTION, USE, PATENT RIGHTS AND SALES RIGHTS ARE EXPRESSLY RESERVED BY SAMTEC, INC. THIS DOCUMENT SHALL NOT BE DISCLOSED, IN WHOLE OR PART, TO ANY UNAUTHORIZED PERSON OR ENTITY NOR REPRODUCED, TRANSFERRED OR INCORPORATED IN ANY OTHER PROJECT IN ANY MANNER WITHOUT THE EXPRESS WRITTEN CONSENT OF SAMTEC, INC.



520 PARK EAST BLVD, NEW ALBANY, IN 47150
PHONE: 812-944-6733 FAX: 812-948-5047
e-Mail info@SAMTEC.com code 55322

MATERIAL: DO NOT SCALE DRAWING SHEET SCALE: 5:2
SHELL1, BODY: BRASS
SHELL2: BeCu
CENTER CONTACT: PHOS BRONZE
INSULATOR : PTFE

DESCRIPTION:
N TYPE ST JACK TO MMCXV ST PLUG ADAPTER, 50 OHM
DWG. NO. ADP5-06SJ2-V3SP1