

REVISION B

0	AW	B Liu
8/17/2012	ECN-184844	
ISSUE FOR REVIEW		
A	TC	A Wang
10/25/2012	ECN-189954	
RELEASE FOR PRODUCTION; CALLOUT - PLATING SPEC: CHG -HN TO -2, CHG -HFTO -1; TABLE 1: CHG - HNTO -2.		
B	EC	G Yang
4/19/2018	ECN-325837	
ADD EXISTING CUSTOMER ONLY WATERMARK.		

TABLE 1		
ITEM	COMPONENT	B
		-2
1	COUPLING NUT	NTPE-CNUT-002-N
2	SHELL 1	NTPE-P-C-N-ST-C10-SHL
3	GASKET	NTPE-GKT-002
4	C-RING	NTPE-CRNG-001
5	BODY	ADP5-06SP2-BDY
6	INSULATOR	ADP5-06SP2-V3SJ1-INS
7	CENTER CONTACT	ADP5-06SP2-V3SJ1-PIN
8	SHELL 2	ADP5-06SP2-V3SJ1-SHL

DESIGNED & DIMENSIONED
IN MILLIMETERS(INCHES)

ADP5-06SP2-V3SJ1

IMPEDANCE
-5: 50 OHM

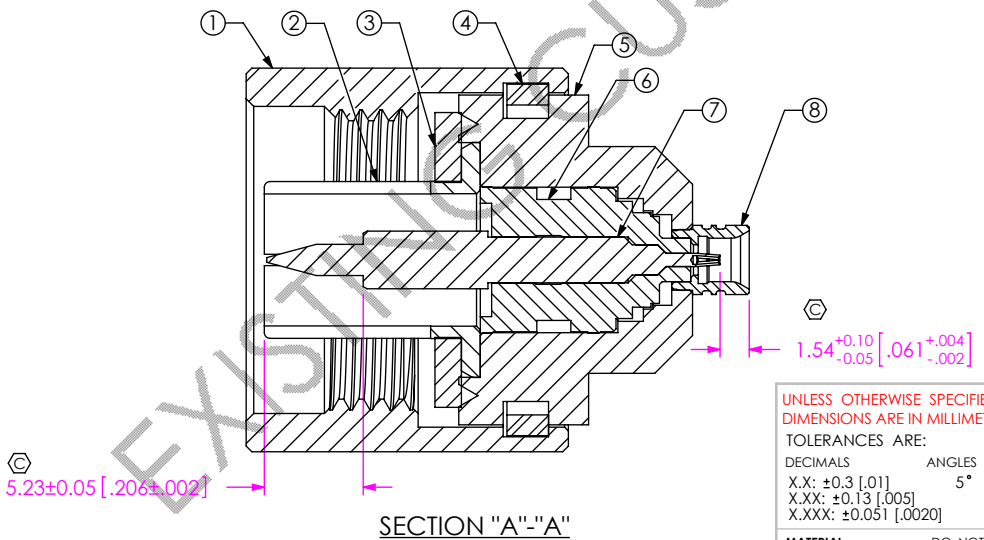
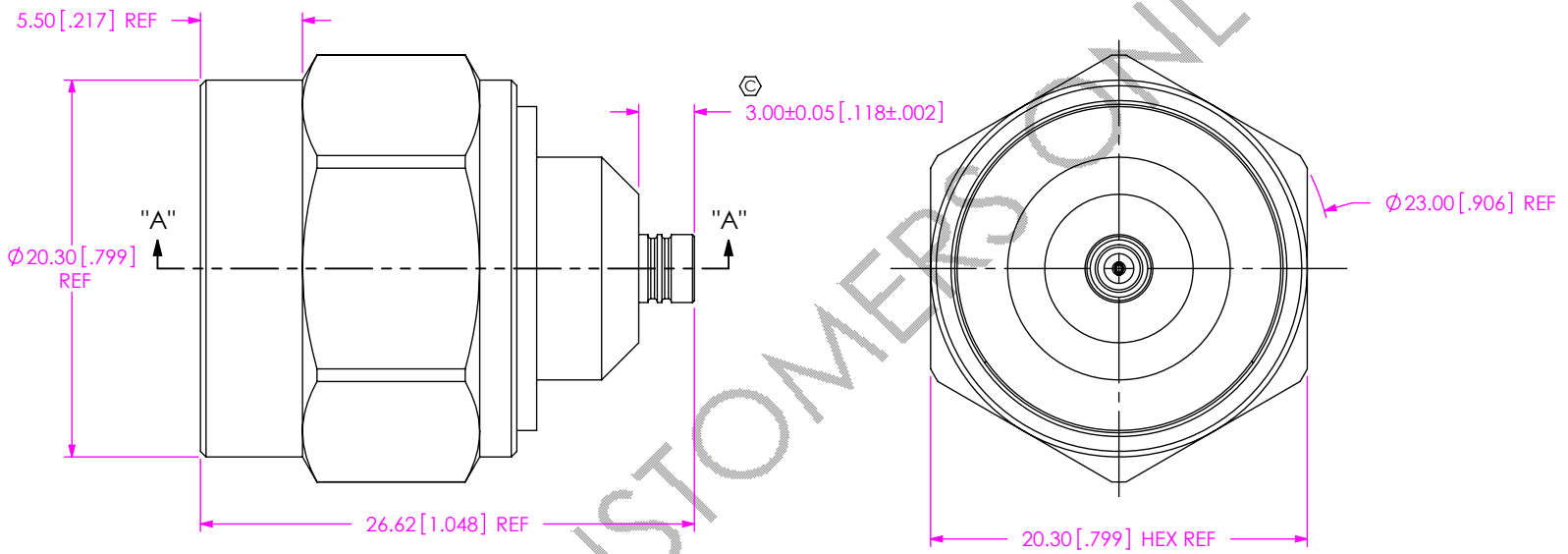
END 1
-06SP: N TYPE STRAIGHT PLUG

PLATING SPECIFICATION
-1: 30μ" GOLD CENTER CONTACT,
(SEE TABLE 1, ITEM 7)
3μ" GOLD OUTER CONTACT
(SEE TABLE 1, ITEM 5, 8)

PLATING SPECIFICATION
-2: 30μ" GOLD CENTER CONTACT,
(SEE TABLE 1, ITEM 7)
100μ" NICKEL OUTER CONTACT
(SEE TABLE 1, ITEM 1, 2)

END 2
-V3SJ: MMCXV STRAIGHT PLUG

DO NOT
SCALE FROM
THIS PRINT



- NOTES:
- ⊕ REPRESENTS A CRITICAL DIMENSION.
 - PRODUCT TO BE PACKAGED PER PACKING STANDARD CO-HD-WI-3040-M.
TRAY: TY-BNC002-1
COVER: TY-BNC002-2
36 PARTS PER TRAY (ONE PART PER POCKET).

UNLESS OTHERWISE SPECIFIED,
DIMENSIONS ARE IN MILLIMETERS.

TOLERANCES ARE:

DECIMALS	ANGLES
X.X: ±0.3 [01]	5°
X.XX: ±0.13 [005]	
X.XXX: ±0.051 [0020]	

PROPRIETARY NOTE

THIS DOCUMENT CONTAINS CONFIDENTIAL AND PROPRIETARY INFORMATION AND ALL DESIGN, MANUFACTURING, REPRODUCTION, USE, PATENT RIGHTS AND SALES RIGHTS ARE EXPRESSLY RESERVED BY SAMTEC, INC. THIS DOCUMENT SHALL NOT BE DISCLOSED, IN WHOLE OR PART, TO ANY UNAUTHORIZED PERSON OR ENTITY NOR REPRODUCED, TRANSFERRED OR INCORPORATED IN ANY OTHER PROJECT IN ANY MANNER WITHOUT THE EXPRESS WRITTEN CONSENT OF SAMTEC, INC.



520 PARK EAST BLVD, NEW ALBANY, IN 47150
PHONE: 812-944-6733 FAX: 812-948-5047
e-Mail info@SAMTEC.com code 55322

MATERIAL: DO NOT SCALE DRAWING
COUPLING NUT, SHELLS, BODY: BRASS
CENTER CONTACT: BeCu
C-RING: STAINLESS STEEL
GASKET: SILICONE
INSULATOR : PTFE

SHEET SCALE: 5:2

DESCRIPTION:
N TYPE ST PLUG TO MMCXV ST PLUG ADAPTER, 50 OHM

DWG. NO. ADP5-06SP2-V3SJ1

BY: ALVINW 04/28/2012 SHEET 1 OF 1