

REVISION B

0	AW	B Liu
8/17/2012	ECN-184845	
ISSUE FOR REVIEW		
A	TC	A Wang
10/25/2012	ECN-189958	
RELEASE FOR PRODUCTION; CALLOUT - PLATING SPEC: CHG -HN TO -2, CHG -HFTO-1 ;TABLE: CHG - HNTO-2.		
B	EC	G Yang
4/19/2018	ECN-325750	
ADD EXISTING CUSTOMER ONLY WATERMARK.		

TABLE 1		
ITEM	COMPONENT	
		-2
1	COUPLING NUT	NTPE-CNUT-002-N
2	SHELL 1	NTPE-P-C-N-ST-C10-SHL
3	GASKET	NTPE-GKT-002
4	C-RING	NTPE-CRNG-001
5	BODY	ADP5-06SP2-BDY
6	INSULATOR	ADP5-06SP2-V3SP1-INS
7	SHELL 2	ADP5-V3SP1-SHL
8	CENTER CONTACT	ADP5-06SP2-V3SP1-PIN

DESIGNED & DIMENSIONED
IN MILLIMETERS [INCHES]

ADP5-06SP2-V3SP1

B PLATING SPECIFICATION
-1: 30µ" GOLD CENTER CONTACT,
(SEE TABLE 1, ITEM 8)
3µ" GOLD OUTER CONTACT
(SEE TABLE 1, ITEM 5, 7)

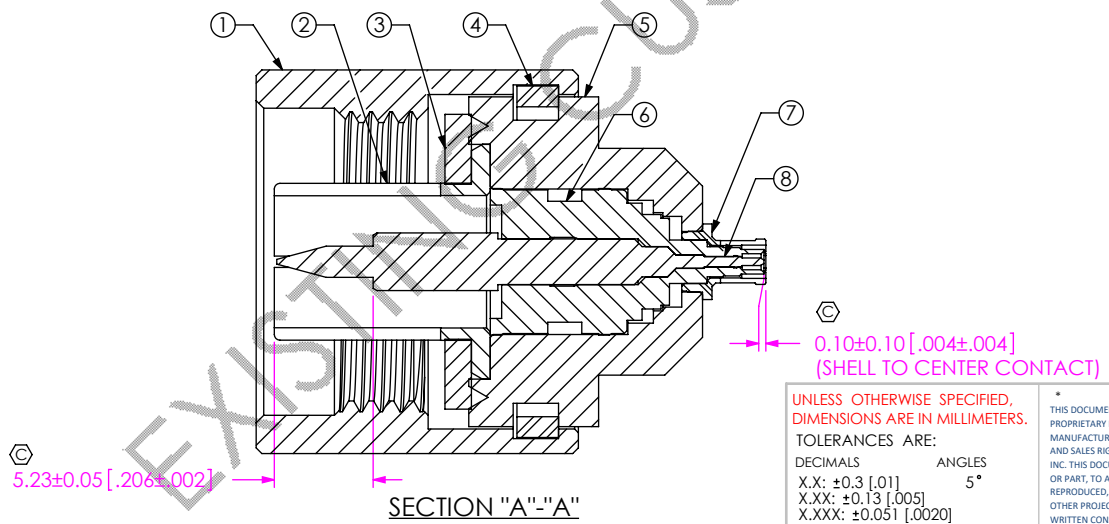
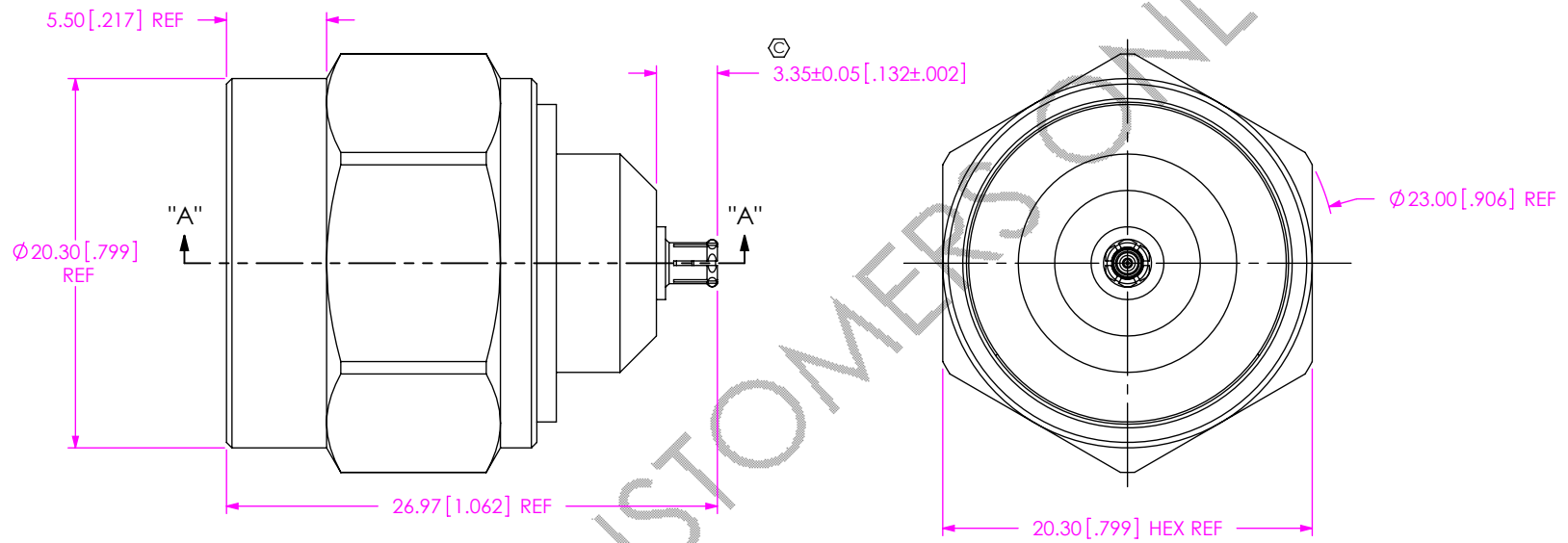
B PLATING SPECIFICATION
-2: 30µ" GOLD CENTER CONTACT,
(SEE TABLE 1, ITEM 8)
100µ" NICKEL OUTER CONTACT
(SEE TABLE 1, ITEM 1, 2)

IMPEDANCE
-5: 50 OHM

END 1
-06SP: N TYPE STRAIGHT PLUG

END 2
-V3SP: MMCXV STRAIGHT PLUG

DO NOT
SCALE FROM
THIS PRINT



- NOTES:
- ⊕ REPRESENTS A CRITICAL DIMENSION.
 - PRODUCT TO BE PACKAGED PER PACKING STANDARD CO-HD-WI-3040-M.
TRAY: TY-BNC002-1
COVER: TY-BNC002-2
36 PARTS PER TRAY (ONE PART PER POCKET).

UNLESS OTHERWISE SPECIFIED,
DIMENSIONS ARE IN MILLIMETERS.

TOLERANCES ARE:

DECIMALS	ANGLES
X.X: ±0.3 [.01]	5°
X.XX: ±0.13 [.005]	
X.XXX: ±0.051 [.0020]	

PROPRIETARY NOTE

THIS DOCUMENT CONTAINS CONFIDENTIAL AND PROPRIETARY INFORMATION AND ALL DESIGN, MANUFACTURING, REPRODUCTION, USE, PATENT RIGHTS AND SALES RIGHTS ARE EXPRESSLY RESERVED BY SAMTEC, INC. THIS DOCUMENT SHALL NOT BE DISCLOSED, IN WHOLE OR PART, TO ANY UNAUTHORIZED PERSON OR ENTITY NOR REPRODUCED, TRANSFERRED OR INCORPORATED IN ANY OTHER PROJECT IN ANY MANNER WITHOUT THE EXPRESS WRITTEN CONSENT OF SAMTEC, INC.



520 PARK EAST BLVD, NEW ALBANY, IN 47150
PHONE: 812-944-6733 FAX: 812-948-5047
e-Mail info@SAMTEC.com code 55322

MATERIAL: DO NOT SCALE DRAWING	SHEET SCALE: 5:2	DESCRIPTION: N TYPE ST PLUG TO MMCXV ST PLUG ADAPTER, 50 OHM
COUPLING NUT, SHELLS, BODY, CENTER CONTACT: BRASS		DWG. NO. ADP5-06SP2-V3SP1
SHELL2: BeCu		BY: ALVINW 08/07/2012 SHEET 1 OF 1
C-RING: STAINLESS STEEL		
GASKET: SILICONE		
INSULATOR : PTFE		