

THIS PRODUCT MANUFACTURED WITH LEAD-FREE PROCESSING

DESIGNED & DIMENSIONED IN MILLIMETERS [INCHES]

ADP7-04SJ2-H4SJ2

IMPEDANCE
-7: 75 OHM

PLATING SPECIFICATION
-HN: HEAVY GOLD / NICKEL
30µ" Au / 50µ" Ni MIN ON PIN
100µ" Ni MIN ON OUTER CONTACT
(SEE TABLE 1)

END 2
-H4SJ: HDBNC STRAIGHT JACK

PLATING SPECIFICATION
-HN: 30µ" GOLD CENTER CONTACT,
100µ" NICKEL OUTER CONTACT
(SEE TABLE 1)

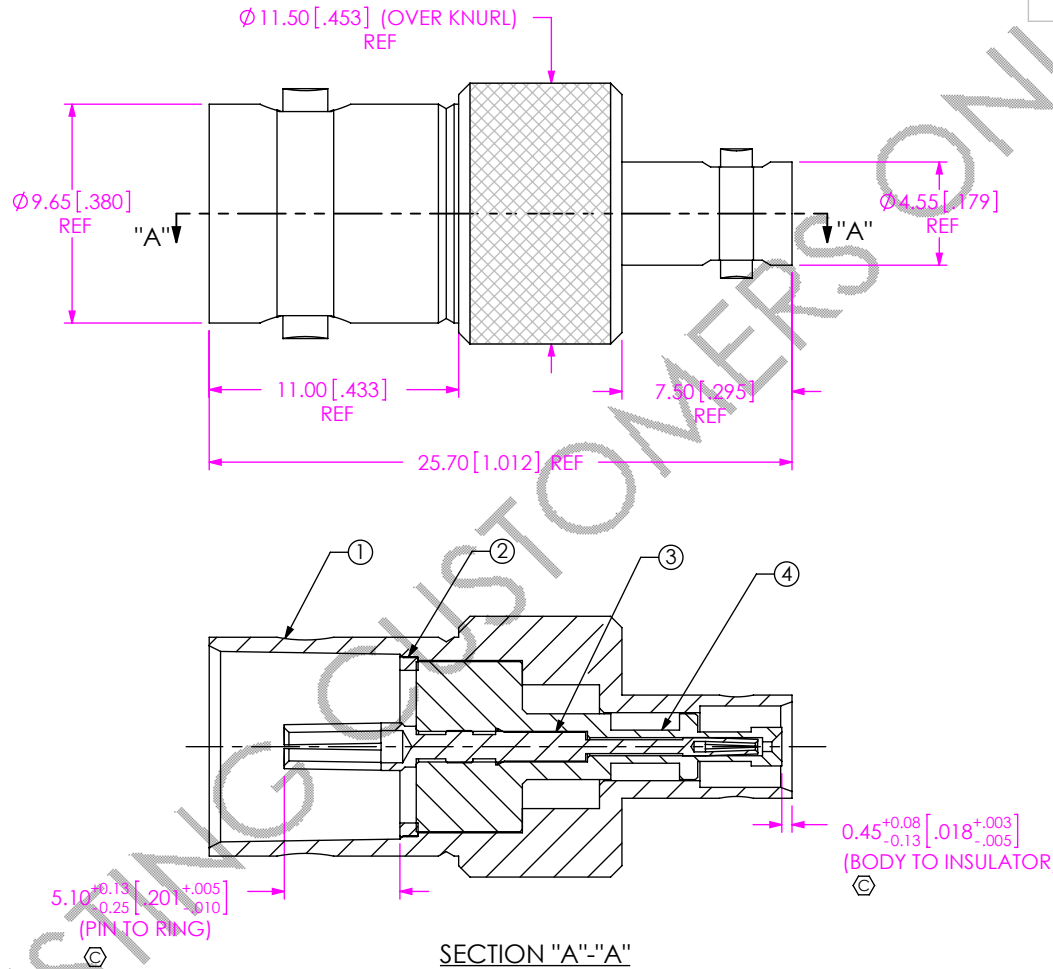
END 1
-04SJ: BNC STRAIGHT JACK

0	AW	B Liu
8/15/2011	ECN-160619	
ISSUE FOR REVIEW		
A	EC	B Liu
11/3/2011	ECN-166664	
RELEASE FOR PRODUCTION; MATERIAL BLOCK, DIELECTRIC: CHG FFTE TO PTFE.		
B	EC	C SHELLY
1/29/2013	ECN-198870	
COMPONENT UPDATE: FRONT VIEW; ADP7-04SJ2-H4SJ2-BDYPER REVISION A		
C	EC	G Yang
4/19/2018	ECN-325835	
ADD EXISTING CUSTOMER ONLY WATERMARK.		

TABLE 1

ITEM	COMPONENT	-HN
1	BODY	ADP7-04SJ2-H4SJ2-BDY
2	RING	BTNC-RNG-002-N
3	PIN	ADP7-04SJ2-H4SJ2-PIN
4	INSULATOR	ADP7-04SJ2-H4SJ2-INS

DO NOT SCALE FROM THIS PRINT



NOTES:

1. Ⓢ REPRESENTS A CRITICAL DIMENSION.
2. PRODUCT TO BE PACKAGED PER PACKING STANDARD CO-HD-WI-3040-M.

UNLESS OTHERWISE SPECIFIED, DIMENSIONS ARE IN MILLIMETERS.
TOLERANCES ARE:
DECIMALS ANGLES
X.X: ±0.3 [.01] 5°
X.XX: ±0.13 [.005]
X.XXX: ±0.051 [.0020]

PROPRIETARY NOTE
THIS DOCUMENT CONTAINS CONFIDENTIAL AND PROPRIETARY INFORMATION AND ALL DESIGN, MANUFACTURING, REPRODUCTION, USE, PATENT RIGHTS AND SALES RIGHTS ARE EXPRESSLY RESERVED BY SAMTEC, INC. THIS DOCUMENT SHALL NOT BE DISCLOSED, IN WHOLE OR PART, TO ANY UNAUTHORIZED PERSON OR ENTITY NOR REPRODUCED, TRANSFERRED OR INCORPORATED IN ANY OTHER PROJECT IN ANY MANNER WITHOUT THE EXPRESS WRITTEN CONSENT OF SAMTEC, INC.



520 PARK EAST BLVD., NEW ALBANY, IN 47150
PHONE: 812-944-6733 FAX: 812-948-5047
e-Mail: info@SAMTEC.com code 55322

MATERIAL: DO NOT SCALE DRAWING SHEET SCALE: 3:1

SOCKET: BeCu
BODY, LOCK RING: BRASS
INSULATOR: PTFE

DESCRIPTION:
BNC JACK TO HDBNC JACK STRAIGHT ADAPTER, 75 OHM

DWG. NO. **ADP7-04SJ2-H4SJ2**

BY: ALVIN W 07/14/2011 SHEET 1 OF 1