

REVISION C

0	AW	B Liu
8/15/2011 ECN-160621 ISSUE FOR REVIEW		
A	EC	B Liu
11/3/2011 ECN-165666 RELEASE FOR PRODUCTION.		
B	EC	C SHELLY
1/29/2013 ECN-196873 COMPONENT UPDATE: FRONT VIEW; ADP7-04SJ2-BDY PER REVISION A		
C	EC	G Yang
4/19/2018 ECN-325838 ADD EXISTING CUSTOMER ONLY WATERMARK.		

DO NOT SCALE FROM THIS PRINT

DESIGNED & DIMENSIONED IN MILLIMETERS [INCHES]

ADP7-04SJ2-H4SP2

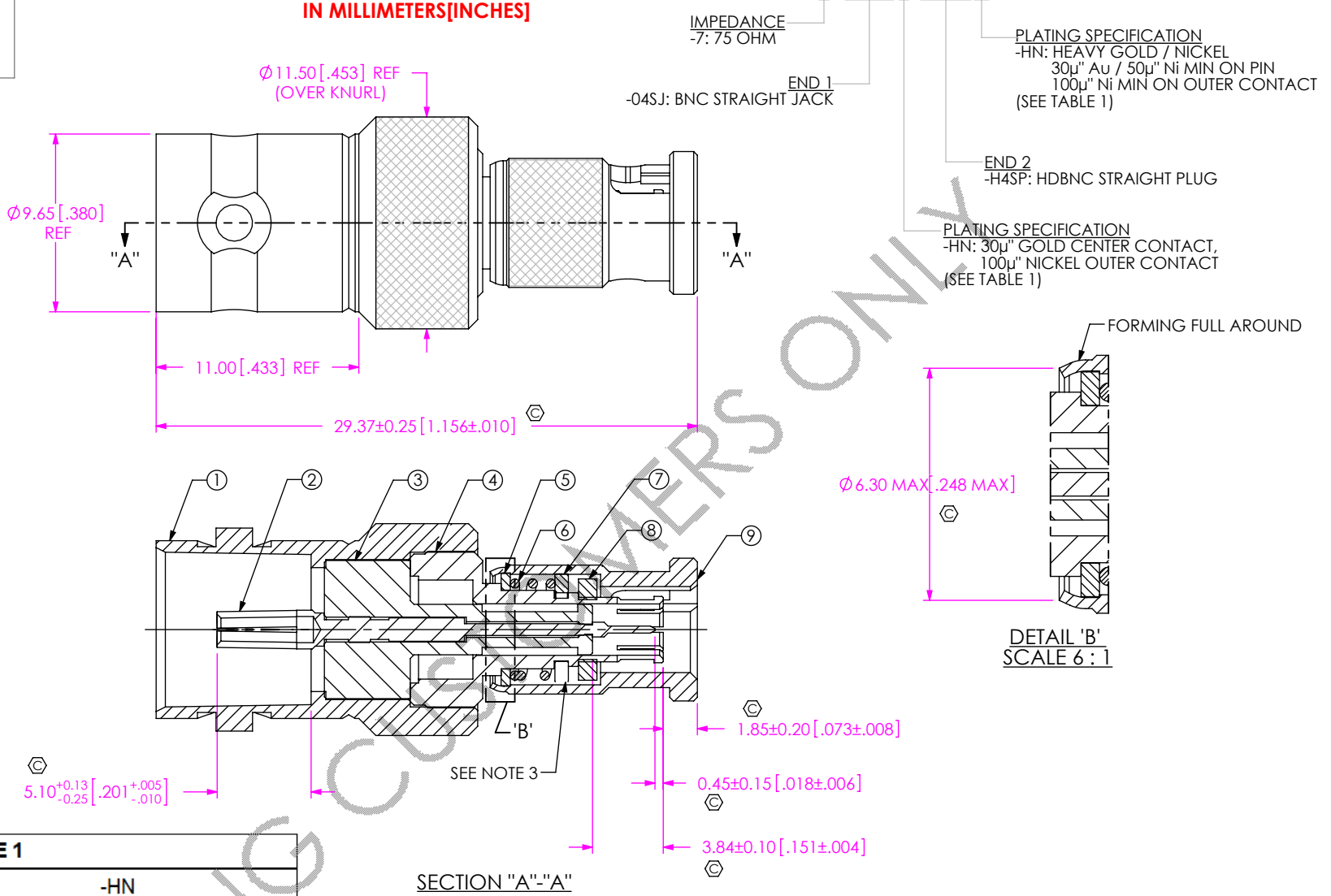


TABLE 1

ITEM	COMPONENT	-HN
1	BNC BODY	ADP7-04SJ2-BDY
2	PIN	ADP7-04SJ2-H4SP2-PIN
3	INSULATOR	ADP7-04SJ2-H4SP2-INS
4	HDBNC BODY	ADP7-H4SP2-BDY
5	FLAT WASHER	HDBNC-FWAS-001-N
6	SPRING	HDBNC-SPR-001
7	C-RING	HDBNC-CRNG-001-N
8	GASKET	HDBNC-GKT-001
9	COUPLING NUT	HDBNC-CNUT-002-N

- NOTES:
- ⊕ REPRESENTS A CRITICAL DIMENSION.
  - PRODUCT TO BE PACKAGED PER PACKING STANDARD CO-HD-WI-3040-M.
  - PRESS C-RING INTO GROOVE.

UNLESS OTHERWISE SPECIFIED, DIMENSIONS ARE IN MILLIMETERS.

TOLERANCES ARE:

DECIMALS	ANGLES
X.X: ±0.3 [0.1]	5°
X.XX: ±0.13 [0.005]	
X.XXX: ±0.051 [0.0020]	

PROPRIETARY NOTE

THIS DOCUMENT CONTAINS CONFIDENTIAL AND PROPRIETARY INFORMATION AND ALL DESIGN, MANUFACTURING, REPRODUCTION, USE, PATENT RIGHTS AND SALES RIGHTS ARE EXPRESSLY RESERVED BY SAMTEC, INC. THIS DOCUMENT SHALL NOT BE DISCLOSED, IN WHOLE OR PART, TO ANY UNAUTHORIZED PERSON OR ENTITY NOR REPRODUCED, TRANSFERRED OR INCORPORATED IN ANY OTHER PROJECT IN ANY MANNER WITHOUT THE EXPRESS WRITTEN CONSENT OF SAMTEC, INC.



520 PARK EAST BLVD, NEW ALBANY, IN 47150  
PHONE: 812-944-6733 FAX: 812-948-5047  
e-Mail: info@SAMTEC.com code 55322

MATERIAL: DO NOT SCALE DRAWING SHEET SCALE: 3:1

BODIES, COUPLING NUT, FLAT WASHER, C-RING : BRASS  
PIN: BeCu  
INSULATOR: PTFE  
SPRING: STAINLESS STEEL  
GASKET: SILICONE

DESCRIPTION:  
BNC JACK TO HDBNC PLUG STRAIGHT ADAPTER, 75 OHM

DWG. NO.  
**ADP7-04SJ2-H4SP2**

BY: ALVIN W 07/19/2011 SHEET 1 OF 1