

DO NOT SCALE FROM THIS PRINT

TABLE 1		
ITEM	COMPONENT	-HN
1	SHELL 1	ADP7-73SJ1-SHL
2	SHELL 2	ADP7-76SJ2-SHL
3	INSULATOR	ADP7-76SJ2-73SJ1-INS
4	CENTER CONTACT	ADP7-76SJ2-73SJ1-PIN

DESIGNED & DIMENSIONED IN MILLIMETERS [INCHES]

ADP7-76SJ2-73SJ1

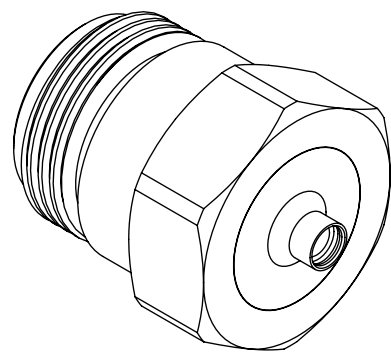
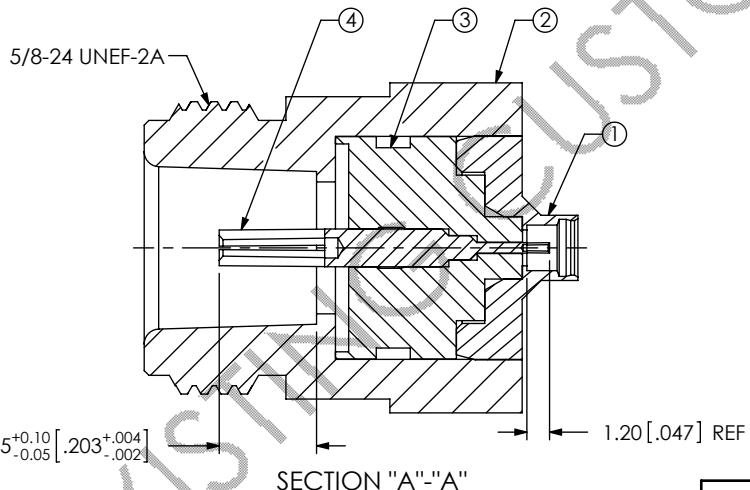
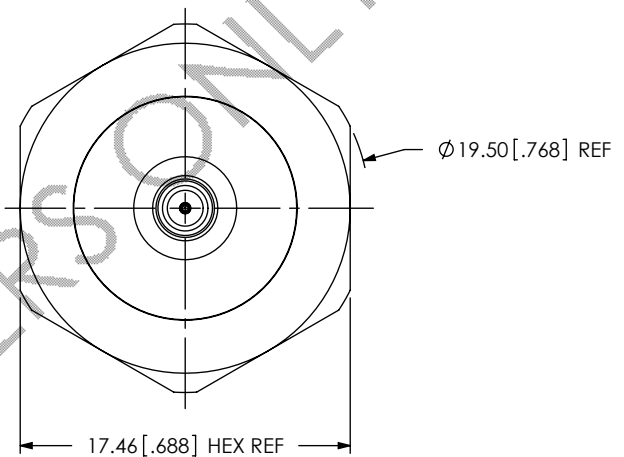
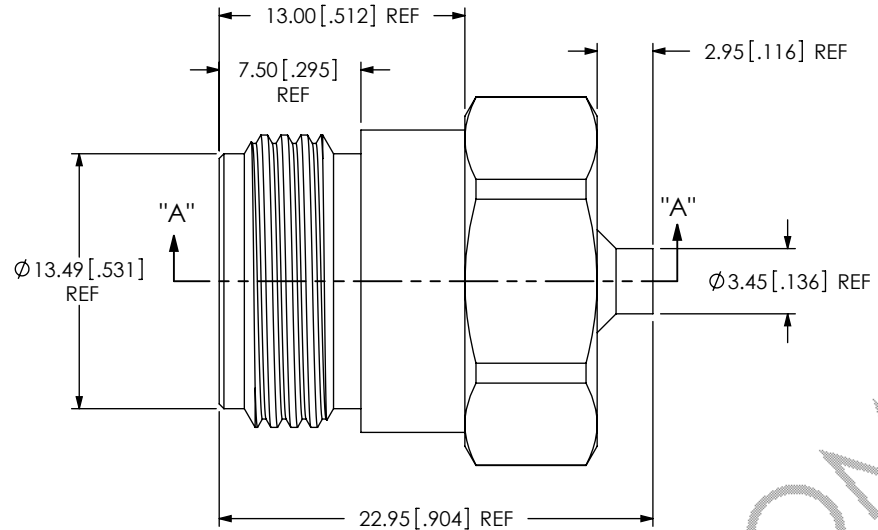
IMPEDANCE
-7: 75 OHM

PLATING SPECIFICATION
-HF: 30µ" GOLD CENTER CONTACT,
3µ" GOLD OUTER CONTACT
(SEE TABLE 1)

END 1
-76SJ: N-TYPE STRAIGHT JACK

PLATING SPECIFICATION
-HN: 30µ" GOLD CENTER CONTACT,
100µ" NICKEL OUTER CONTACT
(SEE TABLE 1)

END 2
-73SJ: MMCX STRAIGHT JACK



NOTES:

1. Ⓢ REPRESENTS A CRITICAL DIMENSION.
2. PRODUCT TO BE PACKAGED PER PACKING STANDARD CO-HD-WI-3040-M.
TRAY: TY-BNC002-1
COVER: TY-BNC002-2
36 PARTS PER TRAY(ONE PART PER POCKET).

UNLESS OTHERWISE SPECIFIED, DIMENSIONS ARE IN MILLIMETERS.
TOLERANCES ARE:
DECIMALS ANGLES
X.X: ±0.3 [.01] 5°
X.XX: ±0.13 [.005]
X.XXX: ±0.051 [.0020]

PROPRIETARY NOTE
THIS DOCUMENT CONTAINS CONFIDENTIAL AND PROPRIETARY INFORMATION AND ALL DESIGN, MANUFACTURING, REPRODUCTION, USE, PATENT RIGHTS AND SALES RIGHTS ARE EXPRESSLY RESERVED BY SAMTEC, INC. THIS DOCUMENT SHALL NOT BE DISCLOSED, IN WHOLE OR PART, TO ANY UNAUTHORIZED PERSON OR ENTITY NOR REPRODUCED, TRANSFERRED OR INCORPORATED IN ANY OTHER PROJECT IN ANY MANNER WITHOUT THE EXPRESS WRITTEN CONSENT OF SAMTEC, INC.



520 PARK EAST BLVD., NEW ALBANY, IN 47150
PHONE: 812-944-6733 FAX: 812-948-5047
e-Mail: info@SAMTEC.com code 55322

MATERIAL: DO NOT SCALE DRAWING SHEET SCALE: 2.5:1
CENTER CONTACT: BeCu
SHELLS: BRASS
INSULATOR: PTFE

DESCRIPTION:
N TYPE ST JACK TO MMCX ST JACK ADAPTER, 75 OHM
DWG. NO. ADP7-76SJ2-73SJ1