

REVISION B

TABLE 1		
ITEM	COMPONENT	-HN
1	CENTER CONTACT 1	ADP7-73SP1-PIN
2	C-RING	MMCX-CRNG-001-F
3	SHELL 1	ADP7-73SP1-SHL
4	SHELL 2	ADP7-76SJ2-SHL
5	INSULATOR	ADP7-76SJ2-73SP1-INS
6	CENTER CONTACT 2	ADP7-76SJ2-PIN

DO NOT SCALE FROM THIS PRINT

DESIGNED & DIMENSIONED IN MILLIMETERS [INCHES]

ADP7-76SJ2-73SP1

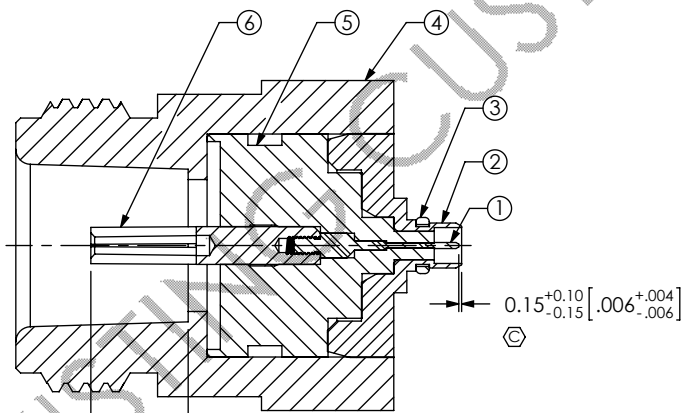
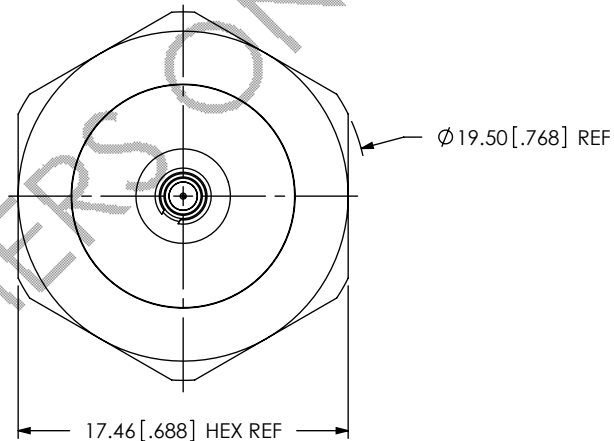
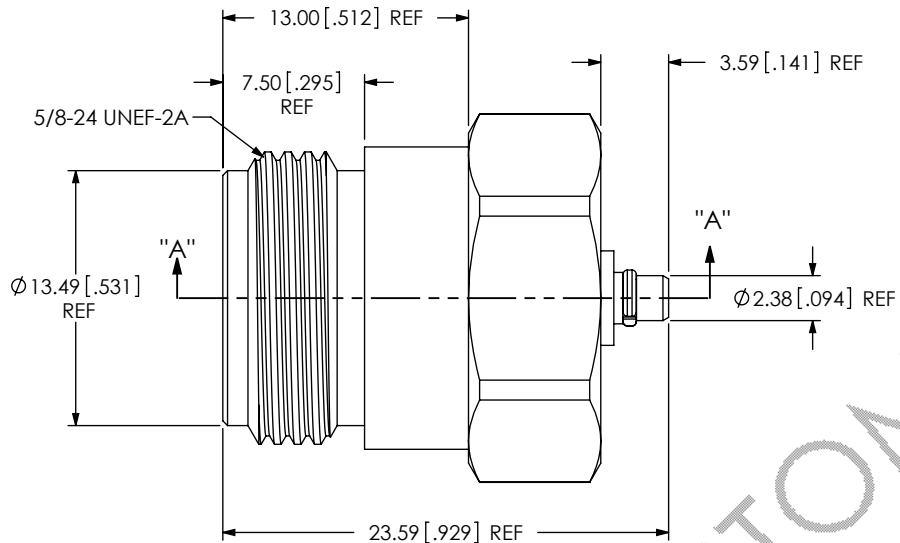
IMPEDANCE  
-7: 75 OHM

END 1  
-76SJ: N-TYPE STRAIGHT JACK

PLATING SPECIFICATION  
-HF: 30µ" GOLD CENTER CONTACT,  
3µ" GOLD OUTER CONTACT  
(SEE TABLE 1)

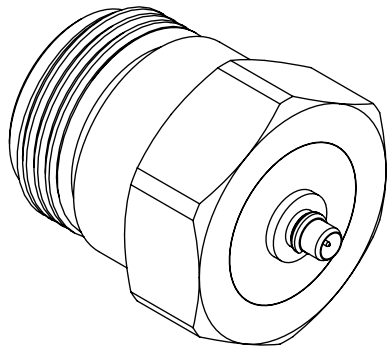
END 2  
-73SP: MMCX STRAIGHT PLUG

PLATING SPECIFICATION  
-HN: 30µ" GOLD CENTER CONTACT,  
100µ" NICKEL OUTER CONTACT  
(SEE TABLE 1)




5.15±0.05 [.203±.002]

SECTION "A"-A"



NOTES:

- Ⓢ REPRESENTS A CRITICAL DIMENSION.
- PRODUCT TO BE PACKAGED PER PACKING STANDARD CO-HD-WI-3040-M. TRAY: TY-BNC002-1 COVER: TY-BNC002-2 36 PARTS PER TRAY (ONE PART PER POCKET).

UNLESS OTHERWISE SPECIFIED, DIMENSIONS ARE IN MILLIMETERS. TOLERANCES ARE: DECIMALS ANGLES X.X: ±0.3 [.01] 5° X.XX: ±0.13 [.005] X.XXX: ±0.051 [.0020]	* PROPRIETARY NOTE * THIS DOCUMENT CONTAINS CONFIDENTIAL AND PROPRIETARY INFORMATION AND ALL DESIGN, MANUFACTURING, REPRODUCTION, USE, PATENT RIGHTS AND SALES RIGHTS ARE EXPRESSLY RESERVED BY SAMTEC, INC. THIS DOCUMENT SHALL NOT BE DISCLOSED, IN WHOLE OR PART, TO ANY UNAUTHORIZED PERSON OR ENTITY NOR REPRODUCED, TRANSFERRED OR INCORPORATED IN ANY OTHER PROJECT IN ANY MANNER WITHOUT THE EXPRESS WRITTEN CONSENT OF SAMTEC, INC.	 520 PARK EAST BLVD., NEW ALBANY, IN 47150 PHONE: 812-944-6733 FAX: 812-948-5047 e-Mail: info@SAMTEC.com code 55322