

DO NOT SCALE FROM THIS PRINT

TABLE 1		
ITEM	COMPONENT	-HN
1	CENTER CONTACT	ADP7-76SJ2-7VSJ1-PIN
2	SHELL 1	ADP7-76SJ2-7VSJ1-SHL
3	INSULATOR	ADP7-76SJ2-7VSJ1-INS
4	SHELL 2	ADP7-7VSJ1-SHL

DESIGNED & DIMENSIONED IN MILLIMETERS [INCHES]

ADP7-76SJ2-7VSJ1

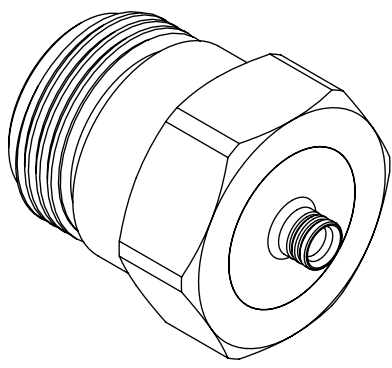
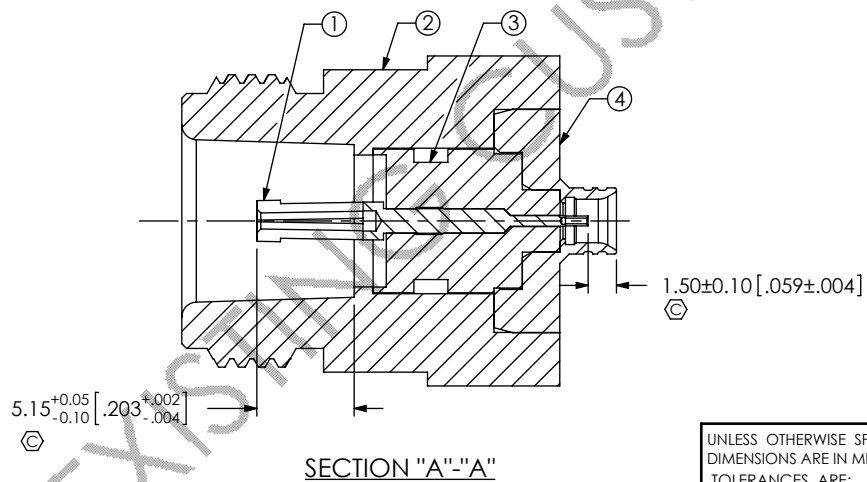
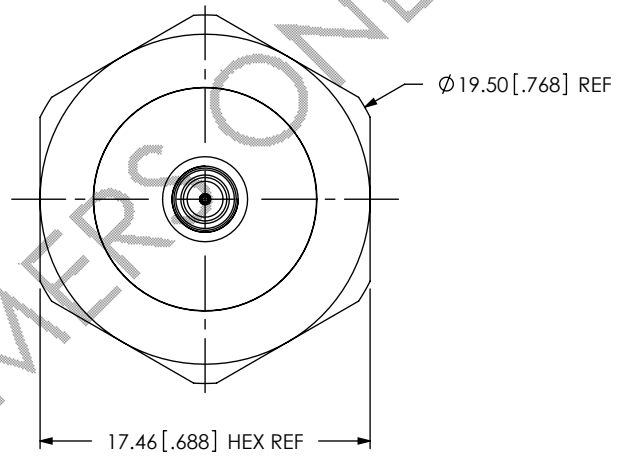
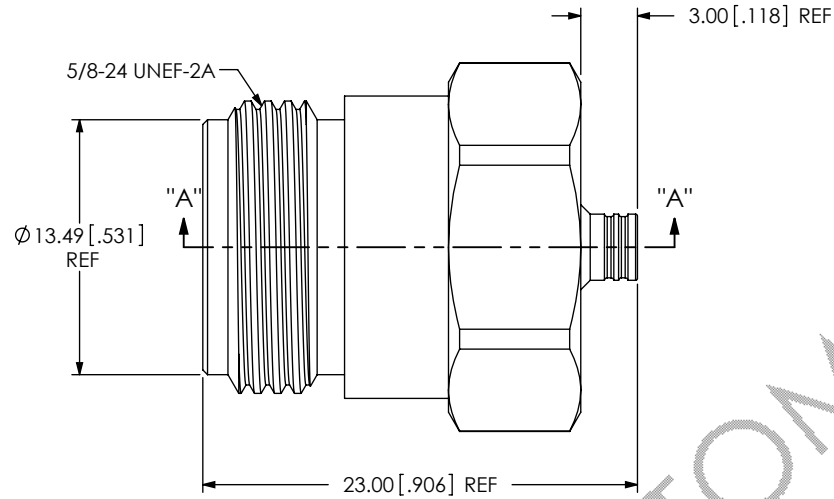
IMPEDANCE -7: 75 OHM

END 1 -76SJ: N-TYPE STRAIGHT JACK

PLATING SPECIFICATION -HN: 30μ" GOLD CENTER CONTACT, 100μ" NICKEL OUTER CONTACT (SEE TABLE 1)

PLATING SPECIFICATION -HF: 30μ" GOLD CENTER CONTACT, 3μ" GOLD OUTER CONTACT (SEE TABLE 1)

END 2 -7VSJ: GRF7V STRAIGHT JACK



- NOTES:
- ⊗ REPRESENTS A CRITICAL DIMENSION.
  - PRODUCT TO BE PACKAGED PER PACKING STANDARD CO-HD-WI-3040-M. TRAY: TY-BNC002-1 COVER: TY-BNC002-2 36 PARTS PER TRAY (ONE PART PER POCKET).

UNLESS OTHERWISE SPECIFIED, DIMENSIONS ARE IN MILLIMETERS. TOLERANCES ARE: DECIMALS ANGLES X.X: ±0.3 [.01] 5° X.XX: ±0.13 [.005] X.XXX: ±0.051 [.0020]	PROPRIETARY NOTE THIS DOCUMENT CONTAINS CONFIDENTIAL AND PROPRIETARY INFORMATION AND ALL DESIGN, MANUFACTURING, REPRODUCTION, USE, PATENT RIGHTS AND SALES RIGHTS ARE EXPRESSLY RESERVED BY SAMTEC, INC. THIS DOCUMENT SHALL NOT BE DISCLOSED, IN WHOLE OR PART, TO ANY UNAUTHORIZED PERSON OR ENTITY NOR REPRODUCED, TRANSFERRED OR INCORPORATED IN ANY OTHER PROJECT IN ANY MANNER WITHOUT THE EXPRESS WRITTEN CONSENT OF SAMTEC, INC.	<p>520 PARK EAST BLVD, NEW ALBANY, IN 47150                  PHONE: 812-944-6733 FAX: 812-948-5047                  e-Mail: info@SAMTEC.com code 55322</p>
MATERIAL: DO NOT SCALE DRAWING SHEET SCALE: 5:2 SHELL 1, SHELL 2: BRASS INSULATOR : PTFE CENTER CONTACT: BeCu		BY: ALVINW 04/17/2012 SHEET 1 OF 1