

DO NOT SCALE FROM THIS PRINT

TABLE 1		
ITEM	COMPONENT	-HN
1	COUPLING NUT	NTPE-CNUT-002-N
2	SHELL 1	NTPE-P-C-N-ST-C10-SHL
3	GASKET	NTPE-GKT-002
4	C-RING	NTPE-CRNG-001
5	BODY	ADP7-76SP2-7VSJ1-BDY
6	INSULATOR	ADP7-76SJ2-7VSJ1-INS
7	SHELL 2	ADP7-7GSJ1-SHL
8	CENTER CONTACT	ADP7-76SP2-7VSJ1-PIN

DESIGNED & DIMENSIONED IN MILLIMETERS [INCHES]

ADP7-76SP2-7GSJ1

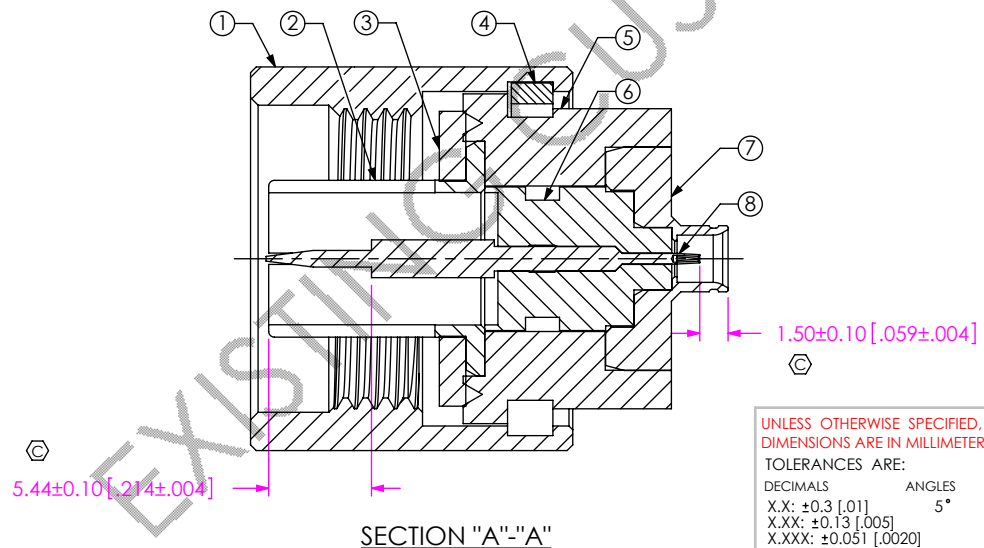
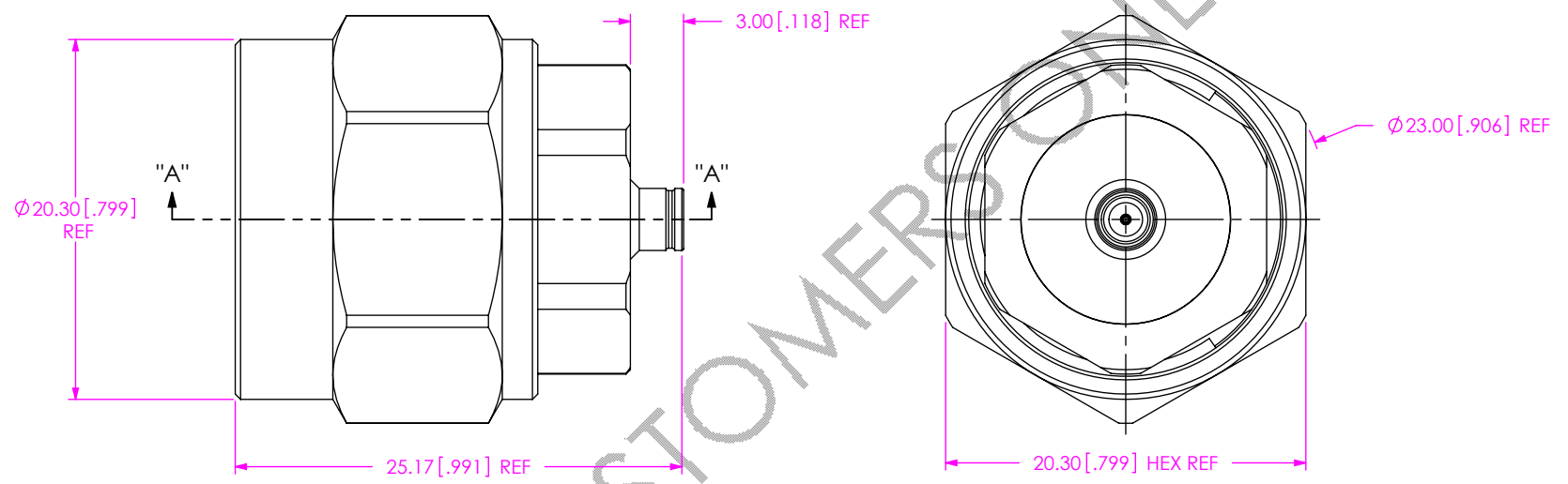
IMPEDANCE  
-7: 75 OHM

PLATING SPECIFICATION  
-HF: 30μ" GOLD CENTER CONTACT,  
3μ" GOLD OUTER CONTACT  
(SEE TABLE 1)

END 1  
-76SP: N-TYPE STRAIGHT PLUG

PLATING SPECIFICATION  
-HN: 30μ" GOLD CENTER CONTACT,  
100μ" NICKEL OUTER CONTACT  
(SEE TABLE 1)

END 2  
-7GSJ: GRF7 STRAIGHT JACK



- NOTES:
- ① REPRESENTS A CRITICAL DIMENSION.
  - PRODUCT TO BE PACKAGED PER PACKING STANDARD CO-HD-WI-3040-M. TRAY: TY-BNC002-1 COVER: TY-BNC002-2 36 PARTS PER TRAY (ONE PART PER POCKET).

UNLESS OTHERWISE SPECIFIED, DIMENSIONS ARE IN MILLIMETERS.  
TOLERANCES ARE:  
DECIMALS ANGLES  
X.X: ±0.3 [01] 5°  
X.XX: ±0.13 [005]  
X.XXX: ±0.051 [0020]

PROPRIETARY NOTE  
THIS DOCUMENT CONTAINS CONFIDENTIAL AND PROPRIETARY INFORMATION AND ALL DESIGN, MANUFACTURING, REPRODUCTION, USE, PATENT RIGHTS AND SALES RIGHTS ARE EXPRESSLY RESERVED BY SAMTEC, INC. THIS DOCUMENT SHALL NOT BE DISCLOSED, IN WHOLE OR PART, TO ANY UNAUTHORIZED PERSON OR ENTITY NOR REPRODUCED, TRANSFERRED OR INCORPORATED IN ANY OTHER PROJECT IN ANY MANNER WITHOUT THE EXPRESS WRITTEN CONSENT OF SAMTEC, INC.



520 PARK EAST BLVD, NEW ALBANY, IN 47150  
PHONE: 812-944-6733 FAX: 812-948-5047  
e-Mail info@SAMTEC.com code 55322

MATERIAL: DO NOT SCALE DRAWING SHEET SCALE: 5:2  
CENTER CONTACT: BeCu  
COUPLING NUT, SHELLS, BODY: BRASS  
C-RING: STAINLESS STEEL  
GASKET: SILICONE  
INSULATOR : PTFE

DESCRIPTION:  
N TYPE ST PLUG TO GRF7 ST JACK 75 OHM ADAPTER

DWG. NO.  
ADP7-76SP2-7GSJ1

BY: ALVINW 01/04/2012 SHEET 1 OF 1