

DO NOT SCALE FROM THIS PRINT

TABLE 1		
ITEM	COMPONENT	-HN
1	COUPLING NUT	NTPE-CNUT-002-N
2	SHELL 1	NTPE-P-C-N-ST-C10-SHL
3	GASKET	NTPE-GKT-002
4	C-RING	NTPE-CRNG-001
5	BODY 1	ADP7-76SP2-7VSP1-BDY
6	INSULATOR	ADP7-76SJ2-7VSP1-INS
7	BODY 2	ADP7-7VSP1-BDY
8	SHELL 2	ADP7-7VSP1-SHL
9	CENTER CONTACT	ADP7-76SP2-7VSP1-PIN

DESIGNED & DIMENSIONED IN MILLIMETERS[INCHES]

ADP7-76SP2-7VSP1

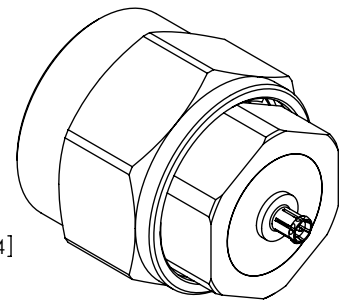
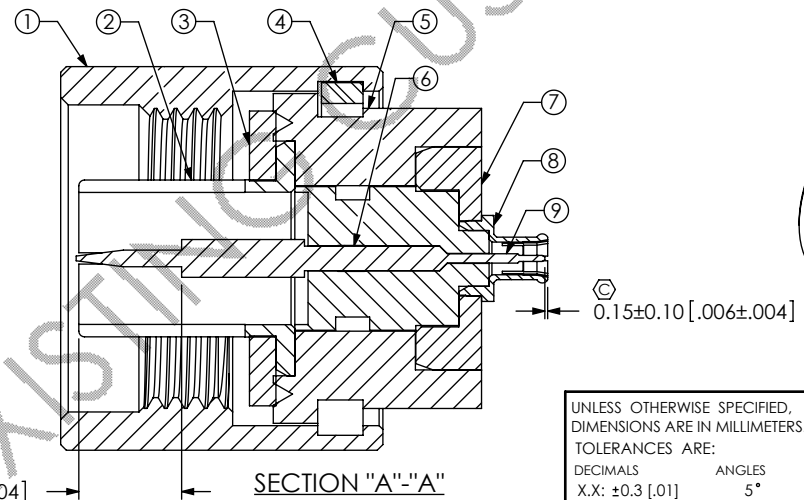
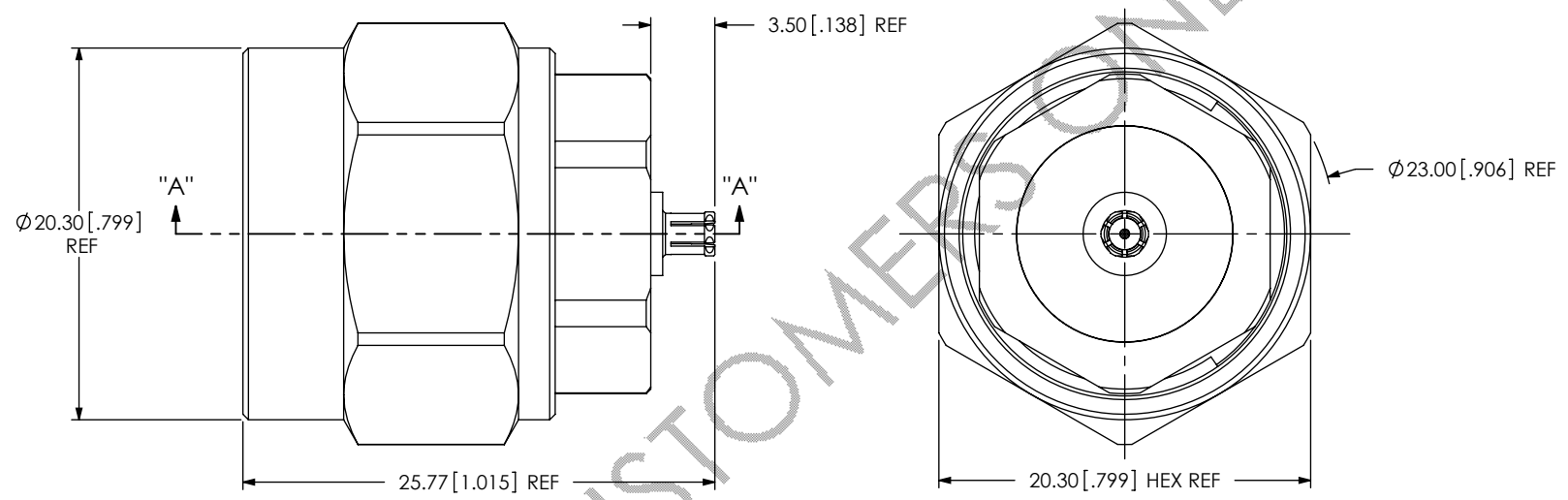
IMPEDANCE
-7: 75 OHM

END 1
-76SP: N-TYPE STRAIGHT PLUG

PLATING SPECIFICATION
-HN: 30μ" GOLD CENTER CONTACT,
100μ" NICKEL OUTER CONTACT
(SEE TABLE 1)

PLATING SPECIFICATION
-HF: 30μ" GOLD CENTER CONTACT,
3μ" GOLD OUTER CONTACT
(SEE TABLE 1)

END 2
-7VSP: GRF7V STRAIGHT PLUG



- NOTES:
- ⊕ REPRESENTS A CRITICAL DIMENSION.
 - PRODUCT TO BE PACKAGED PER PACKING STANDARD CO-HD-WI-3040-M. TRAY: TY-BNC002-1 COVER: TY-BNC002-2 36 PARTS PER TRAY(ONE PART PER POCKET).

UNLESS OTHERWISE SPECIFIED, DIMENSIONS ARE IN MILLIMETERS. TOLERANCES ARE: DECIMALS ANGLES X.X: ±0.3 [.01] 5° X.XX: ±0.13 [.005] X.XXX: ±0.051 [.0020]	* PROPRIETARY NOTE * THIS DOCUMENT CONTAINS CONFIDENTIAL AND PROPRIETARY INFORMATION AND ALL DESIGN, MANUFACTURING, REPRODUCTION, USE, PATENT RIGHTS AND SALES RIGHTS ARE EXPRESSLY RESERVED BY SAMTEC, INC. THIS DOCUMENT SHALL NOT BE DISCLOSED, IN WHOLE OR PART, TO ANY UNAUTHORIZED PERSON OR ENTITY NOR REPRODUCED, TRANSFERRED OR INCORPORATED IN ANY OTHER PRODUCT IN ANY MANNER WITHOUT THE EXPRESS WRITTEN CONSENT OF SAMTEC, INC.	<p>520 PARK EAST BLVD, NEW ALBANY, IN 47150 PHONE: 812-944-6733 FAX: 812-948-5047 e-Mail info@SAMTEC.com code 55322</p>
MATERIAL: DO NOT SCALE DRAWING SHEET SCALE: 5:2 COUPLING NUT, SHELL1, BODIES: BRASS SHELL2: BeCu CENTER CONTACT: BRASS C-RING: STAINLESS STEEL GASKET: SILICONE INSULATOR : PTFE		BY: ALVINW 02/08/2012 SHEET 1 OF 1