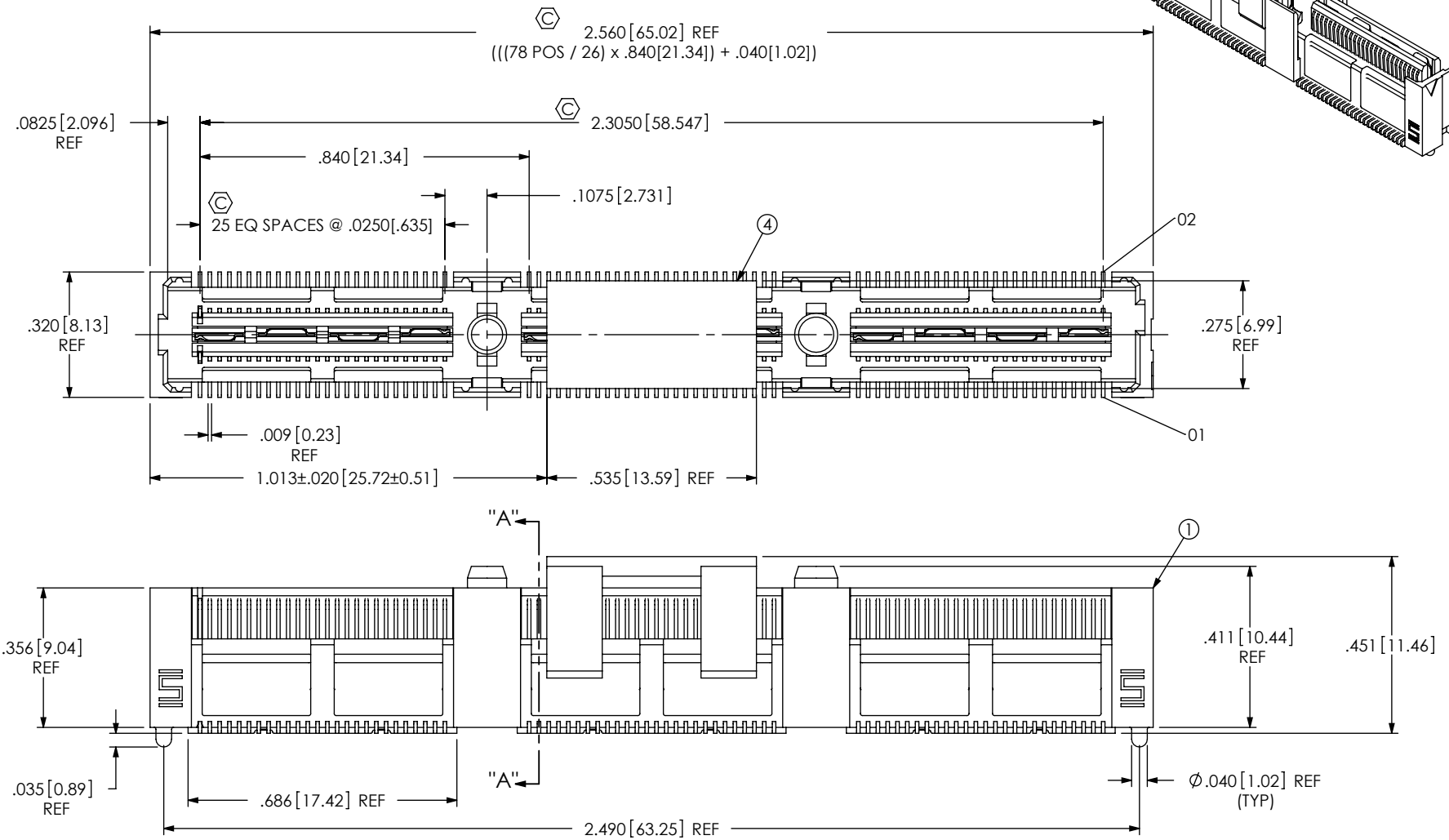
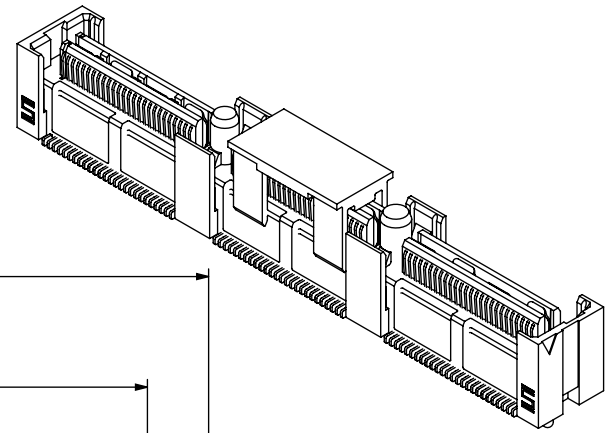


**REVISION D**

DO NOT SCALE FROM THIS PRINT

- NOTES:  
 1. SET UP FOR INDUSTRY STANDARD STACK HEIGHT OF 15.24MM.  
 2. Ⓢ REPRESENTS A CRITICAL DIMENSION.  
 3. MAXIMUM BURR ALLOWANCE: .0015[0.038]  
 4. MINIMUM PUSHOUT FORCE: SIGNAL: .5 LB, GROUND: 1 LB  
 5. MAXIMUM VARIANCE: .002[0.05]  
 6. DIMENSION APPLIES TO CONTACTS & GROUND PLANE.  
 7. GROUND PLANE PRESS HEIGHT MUST BE .003[0.08] LESS THAN THE MAXIMUM HEIGHT OR .001[0.03] GREATER THAN THE MINIMUM HEIGHT OF THE CONTACT.  
 8. PARTS TO BE PACKAGED IN TRAYS.



ITEM NO.	PART NUMBER	QUANTITY	MATERIAL
1	QFSS-26-06.25-D-03-A	1.0000	VECTRA E130i, COLOR: BLACK
2	C-223-06.25-S	156.00	PHOS BRONZE, 521 EXTRA SPRING TEMPER
3	T-1G28-06.25-L	3.0000	PHOS BRONZE, 510 FULL HARD TEMPER
4	PPP-51	1.0000	STANYL 46HF5040, COLOR: BLACK
5	TY-QFS014-078-6.25	1.0000	BLACK HIPS

UNLESS OTHERWISE SPECIFIED, DIMENSIONS ARE IN INCHES.

PROPRIETARY NOTE  
 THIS DOCUMENT CONTAINS CONFIDENTIAL AND PROPRIETARY INFORMATION AND ALL DESIGN, MANUFACTURING, REPRODUCTION, USE, PATENT RIGHTS AND SALES RIGHTS ARE EXPRESSLY RESERVED BY SAMTEC, INC. THIS DOCUMENT SHALL NOT BE DISCLOSED, IN WHOLE OR PART, TO ANY UNAUTHORIZED PERSON OR ENTITY NOR REPRODUCED, TRANSFERRED OR INCORPORATED IN ANY OTHER PROJECT IN ANY MANNER WITHOUT THE EXPRESS WRITTEN CONSENT OF SAMTEC, INC.

TOLERANCES ARE:  
 DECIMALS ANGLES  
 .XX: ±.01[0.3] 2°  
 .XXX: ±.005[0.13]  
 .XXXX: ±.0020[0.051]

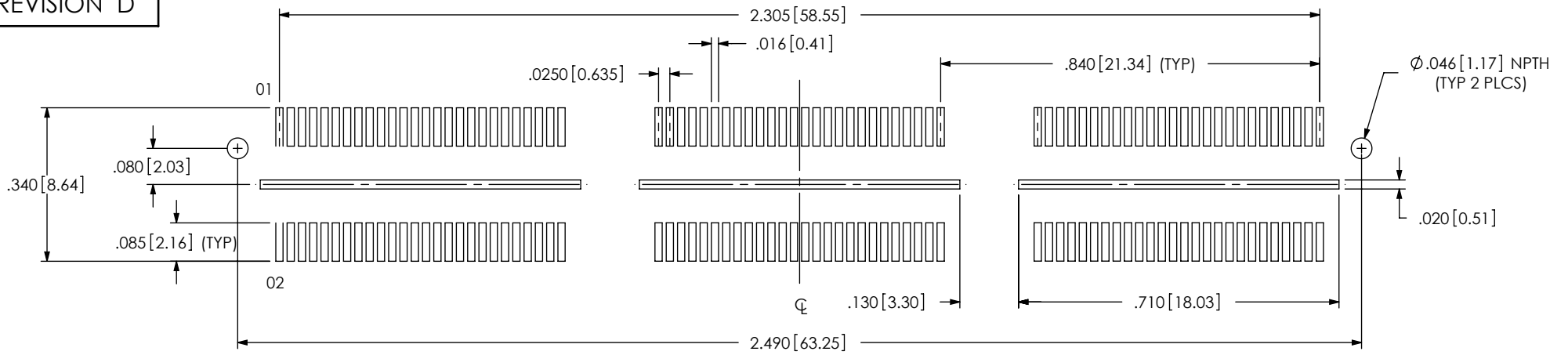
DO NOT SCALE DRAWING SHEET SCALE: 2.5:1

PLATING:  
 CONTACT AREA: .000030 GOLD OVER .000050 NICKEL  
 REMAINDER: .000200 REF TIN OVER .000050 NICKEL

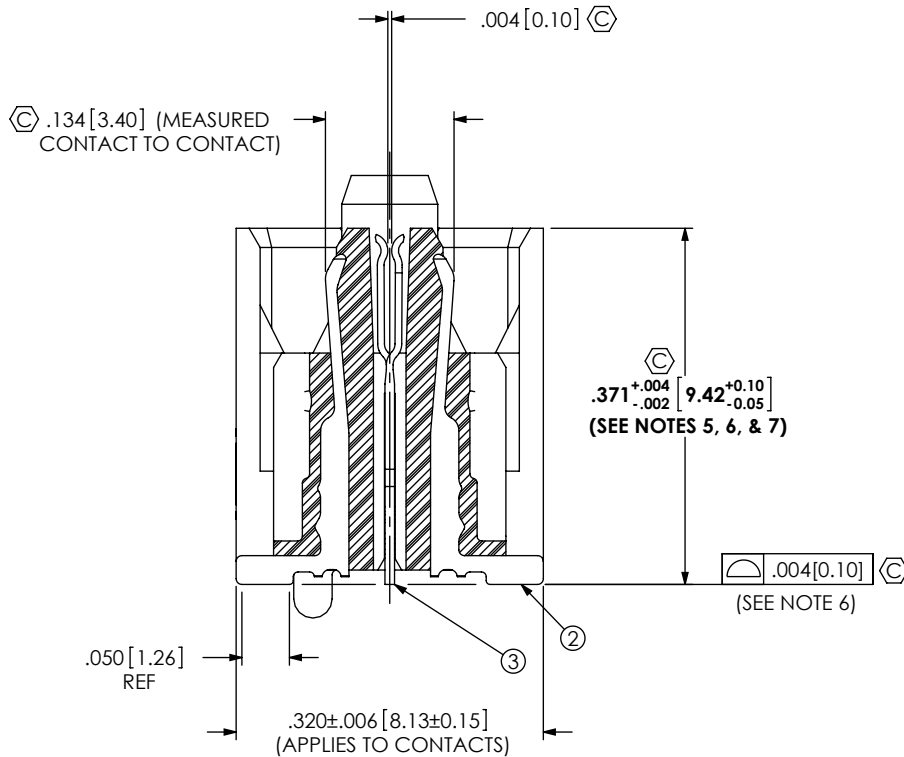
**samtec**  
 520 PARK EAST BLVD, NEW ALBANY, IN 47150  
 PHONE: 812-944-6733 FAX: 812-948-5047  
 e-Mail: info@SAMTEC.com code: 55322

DESCRIPTION: ELEVATED QFS  
 DWG. NO. ASP-129646-03  
 BY: D FRALEY 02/14/2007 SHEET 1 OF 2

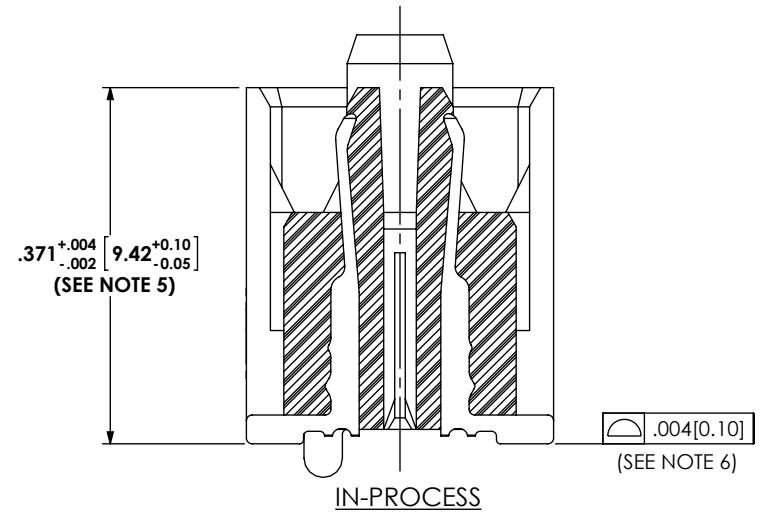
F:\DWG\MISC\MKTG\ASP-129646-03-MKT.SLDDRW



RECOMMENDED PCB LAYOUT  
(ALL DIMENSIONS ARE SYMMETRIC ABOUT THE CENTERLINE)



SECTION "A"- "A"  
ITEM 4 NOT SHOWN FOR CLARITY



**PROPRIETARY NOTE**  
THIS DOCUMENT CONTAINS CONFIDENTIAL AND PROPRIETARY INFORMATION AND ALL DESIGN, MANUFACTURING, REPRODUCTION, USE, PATENT RIGHTS AND SALES RIGHTS ARE EXPRESSLY RESERVED BY SAMTEC, INC. THIS DOCUMENT SHALL NOT BE DISCLOSED, IN WHOLE OR PART, TO ANY UNAUTHORIZED PERSON OR ENTITY NOR REPRODUCED, TRANSFERRED OR INCORPORATED IN ANY OTHER PROJECT IN ANY MANNER WITHOUT THE EXPRESS WRITTEN CONSENT OF SAMTEC, INC.



520 PARK EAST BLVD, NEW ALBANY, IN 47150  
PHONE: 812-944-6733 FAX: 812-948-5047  
e-Mail: info@SAMTEC.com code: 55322

SHEET SCALE: 5:1

DESCRIPTION: ELEVATED QFS

DWG. NO. ASP-129646-03

BY: D FRALEY 02/14/2007 SHEET 2 OF 2