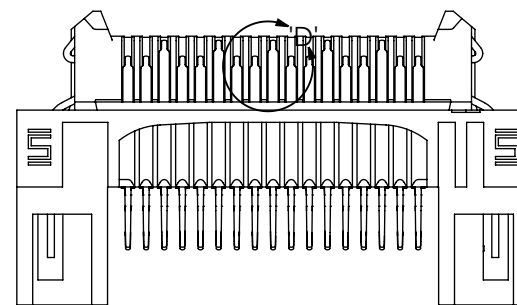
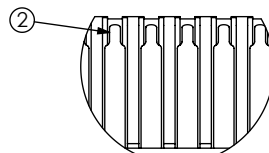
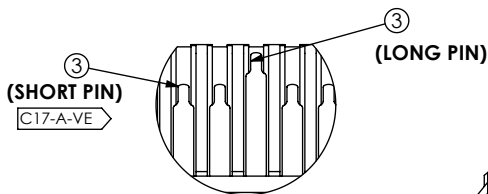
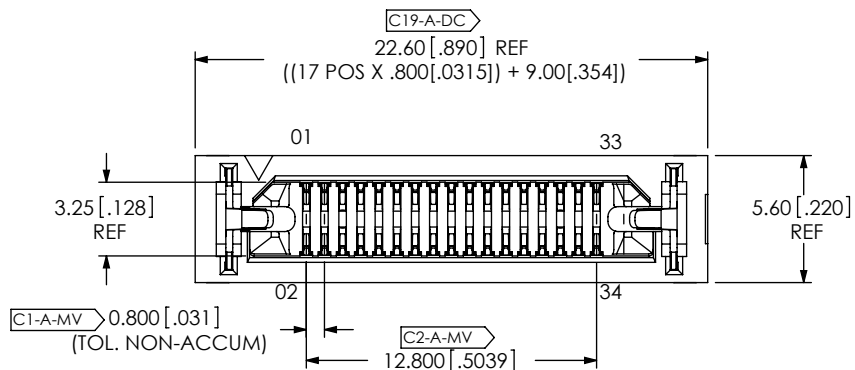


REVISION

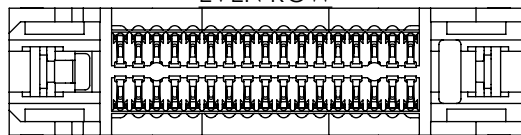
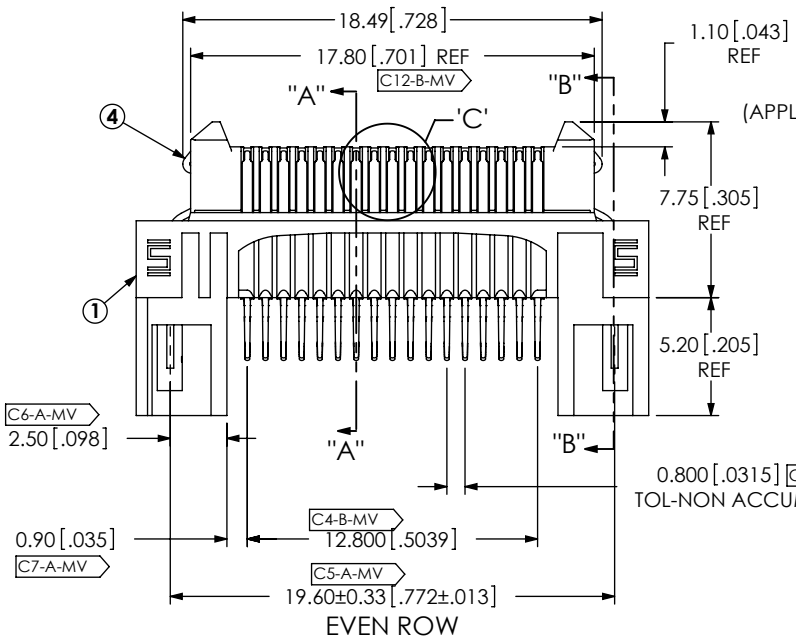
A	TW	J HENRY
9/9/2013	ECN-211210	
RELEASE FOR PRODUCTION		

NOTES:

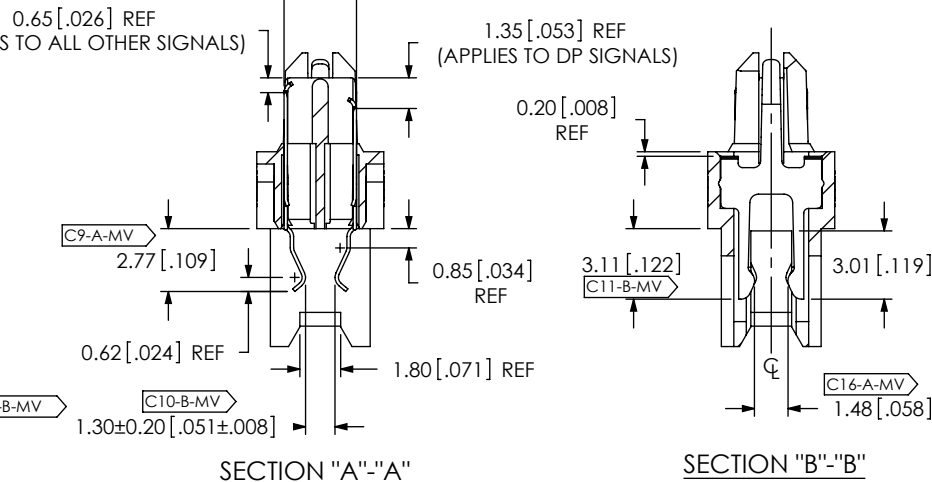
1. ITEM 4 IS NOT AVAILABLE AS STANDARD.
2. [C-X-XX-XX] REPRESENTS A CRITICAL DIMENSION.
3. MAXIMUM BURR ALLOWANCE: .038[.0015].
4. MINIMUM PUSHOUT FORCE: 2.22N [.5 LB].
5. PARTS TO BE PACKAGED IN TRAYS.



ODD ROW (DP SIDE, HOT PLUG SIDE)



EVEN ROW



SECTION "A"- "A"

SECTION "B"- "B"

DATE: _____
 COMPANY: _____
 CUSTOMER SIGNATURE: _____
 PRINTED NAME: _____
 PHONE NO.: _____
 FAX NO.: _____

ACCEPTANCE OF DRAWING
 ACCEPTED WITH DEVIATIONS LISTED

ITEM NO.	PART NUMBER	QUANTITY	MATERIAL
1	ERM8-017-01-S-D-EM2	1.0000	VECTRA E130i, COLOR:BLACK
2	T-1M47-01-S	17.0000	PHOS BRONZE, 521 HT
3	T-1M47-03-S	17.0000	PHOS BRONZE, 521 HT
4	WT-29-01-F	2.0000	BeCu #25, 1/2 HT
5	TY-ASP122	1.0000	BLACK HIPS

CPC FREQUENCY THIS SHEET	
A	C1, C2, C5, C6, C8, C9, C16, C19, C17
B	C3, C4, C10, C11
F	
D	

UNLESS OTHERWISE SPECIFIED, DIMENSIONS ARE IN MILLIMETERS.
 TOLERANCES ARE:
 DECIMALS ANGLES
 .X: ±.3[.01]
 .XX: ±.13[.005]
 .XXX: ±.051[.0020]

PROPRIETARY NOTE
 THIS DOCUMENT CONTAINS INFORMATION CONFIDENTIAL AND PROPRIETARY TO SAMTEC, INC. AND SHALL NOT BE REPRODUCED OR TRANSFERRED TO OTHER DOCUMENTS OR DISCLOSED TO OTHERS OR USED FOR ANY PURPOSE OTHER THAN THAT WHICH IT WAS OBTAINED WITHOUT THE EXPRESSED WRITTEN CONSENT OF SAMTEC, INC.

samtec

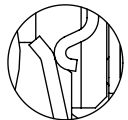
520 PARK EAST BLVD, NEW ALBANY, IN 47150
 PHONE: 812-944-6733 FAX: 812-948-5047
 e-Mail info@SAMTEC.com code 53322

DO NOT SCALE DRAWING SHEET SCALE: 3:1

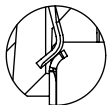
DESCRIPTION: MODIFIED ERM8 ASSEMBLY

DWG. NO. ASP-137974-02

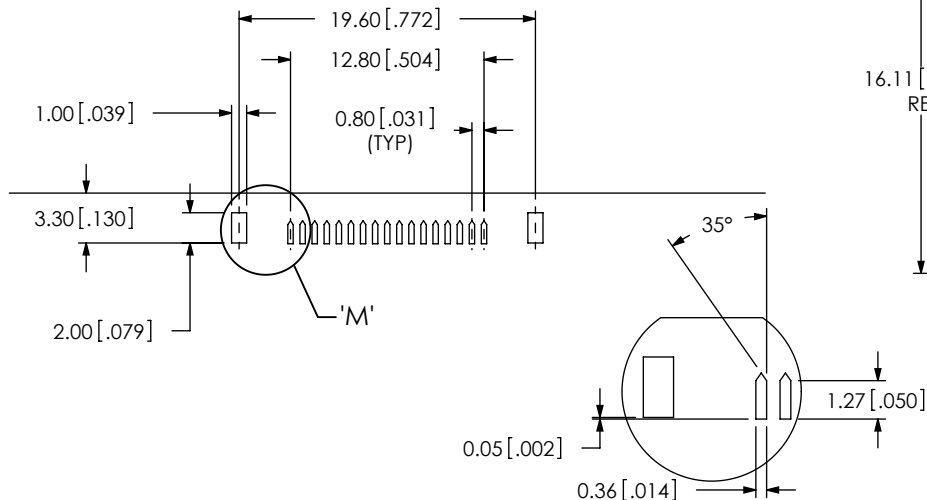
BY: WHELAN 09/10/13 SHEET 1 OF 2



DETAIL 'G'
SCALE 6 : 1

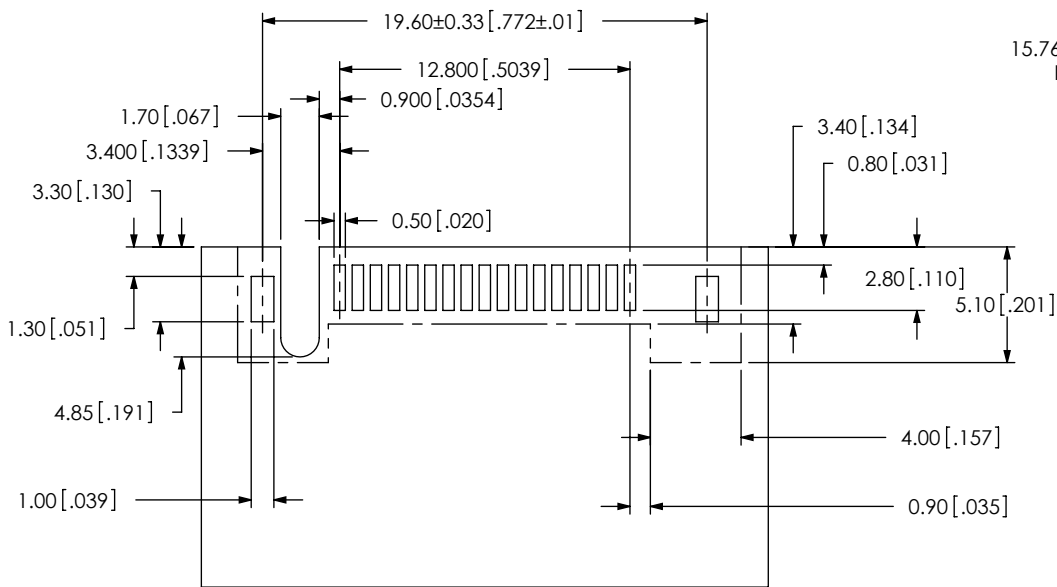


DETAIL 'H'
SCALE 6 : 1

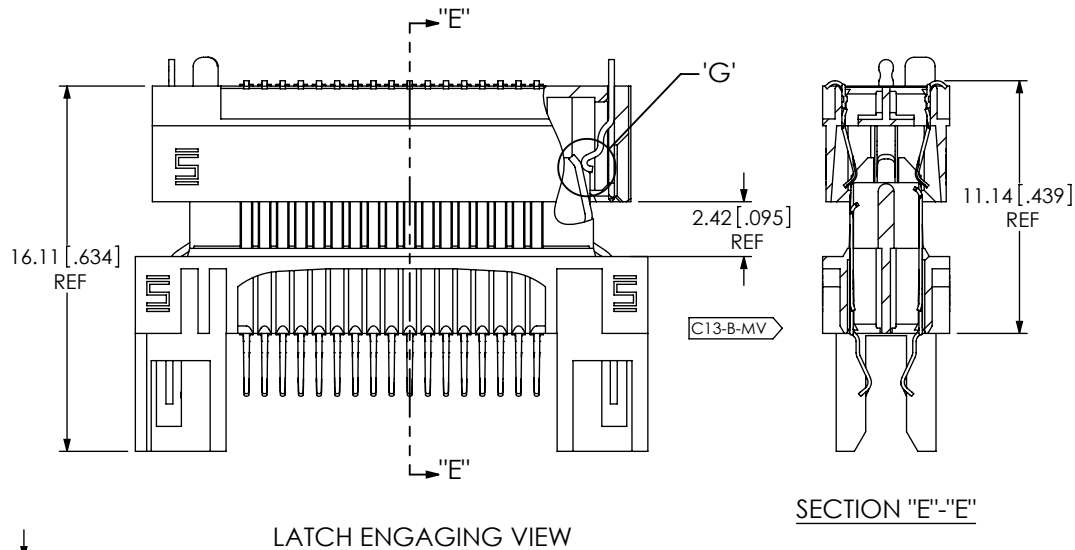


RECOMMENDED STENCIL LAYOUT

DETAIL 'M'
SCALE 4 : 1

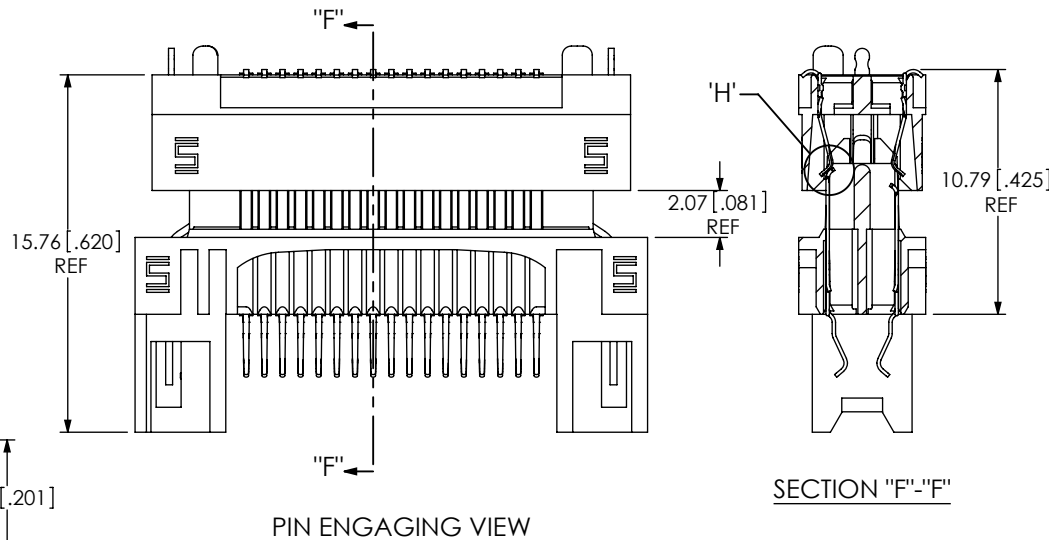


RECOMMENDED PCB LAYOUT



LATCH ENGAGING VIEW

SECTION "E"-"E"



PIN ENGAGING VIEW

SECTION "F"-"F"

CPC FREQUENCY THIS SHEET	
A	
B	C13
F	
D	

PROPRIETARY NOTE
THIS DOCUMENT CONTAINS INFORMATION
CONFIDENTIAL AND PROPRIETARY TO
SAMTEC, INC. AND SHALL NOT BE REPRODUCED
OR TRANSFERRED TO OTHER DOCUMENTS OR
DISCLOSED TO OTHERS OR USED FOR ANY
PURPOSE OTHER THAN THAT WHICH IT WAS
OBTAINED WITHOUT THE EXPRESSED WRITTEN
CONSENT OF SAMTEC, INC.



520 PARK EAST BLVD., NEW ALBANY, IN 47150
PHONE: 812-944-6733 FAX: 812-948-5047
e-Mail: info@SAMTEC.com code 53322

SHEET SCALE: 3:1

DESCRIPTION: MODIFIED ERM8 ASSEMBLY

DWG. NO. ASP-137974-02

BY: WHELAN 09/10/13 SHEET 2 OF 2