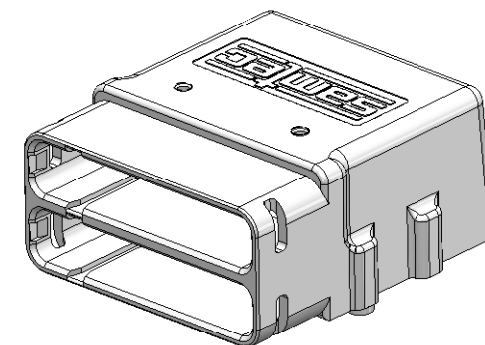
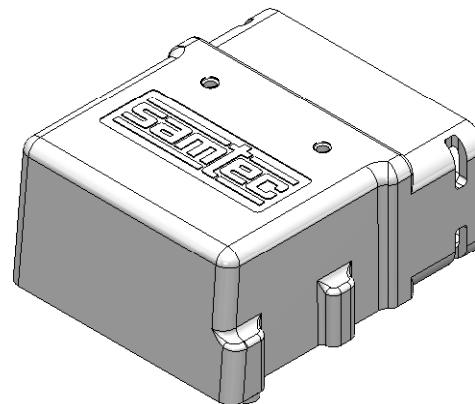
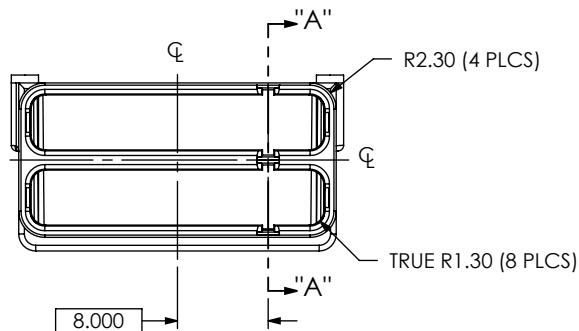


REVISION

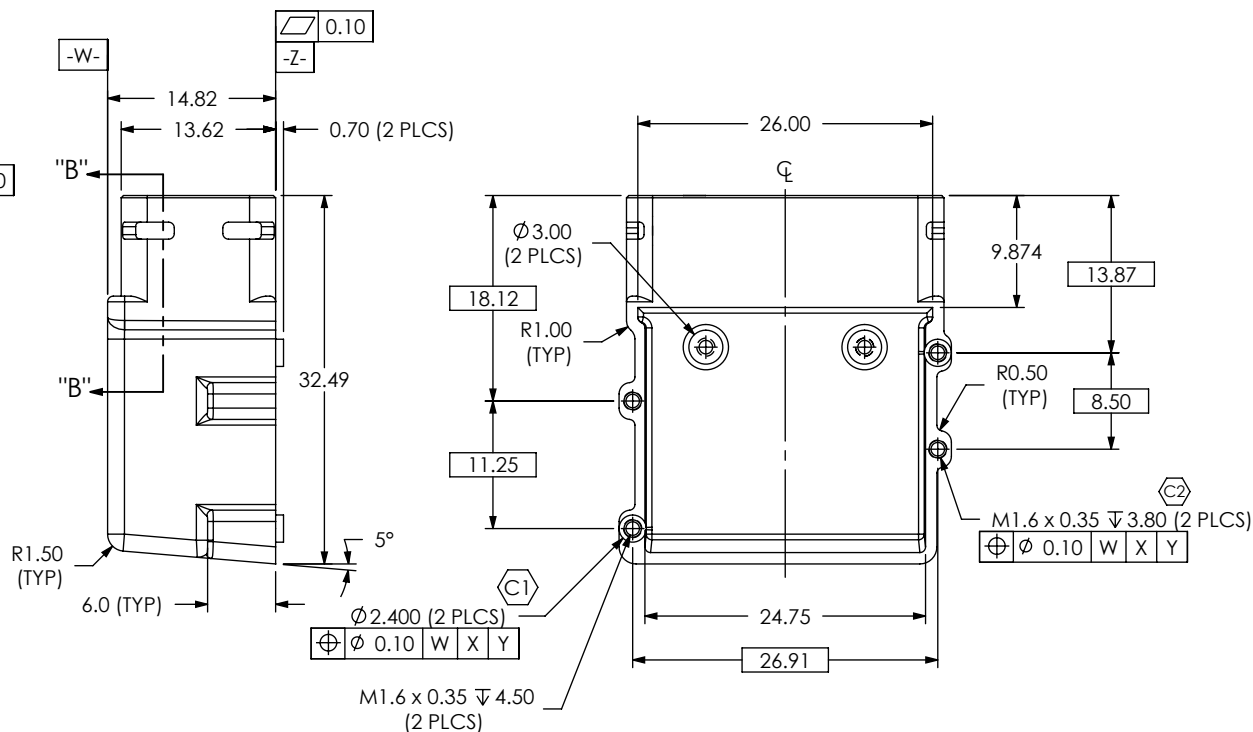
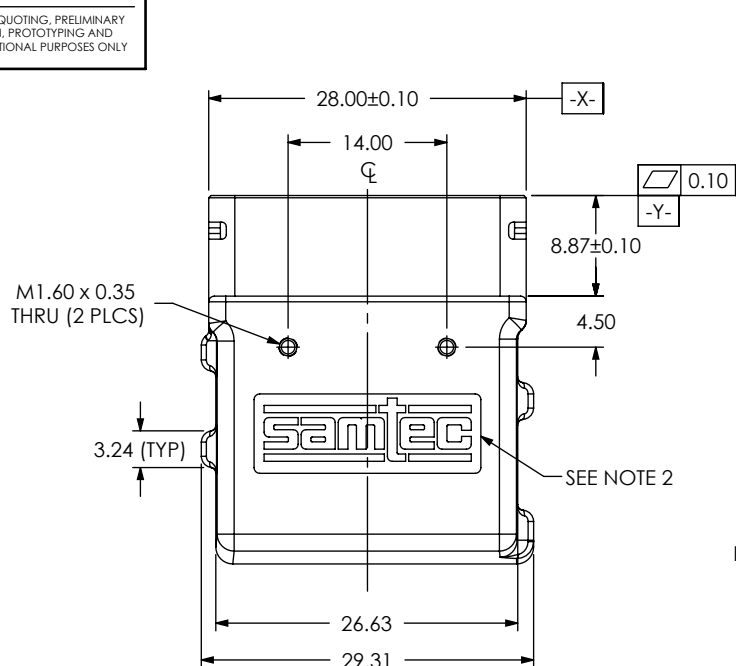
0	CW	C FAITH
2/17/2010	ECN-125335	

ISSUE FOR REVIEW



NOT RELEASED FOR PRODUCTION

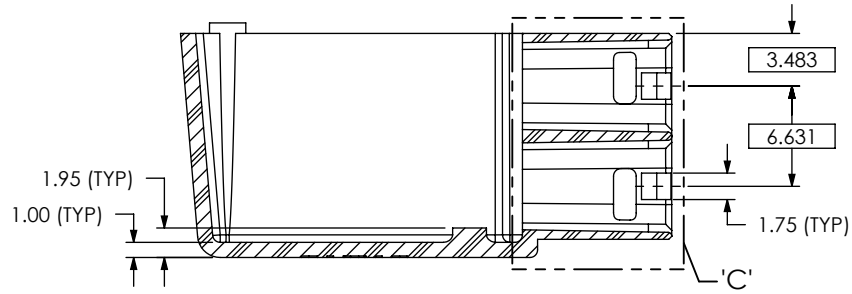
USE FOR QUOTING, PRELIMINARY DESIGN, PROTOTYPING AND INFORMATIONAL PURPOSES ONLY



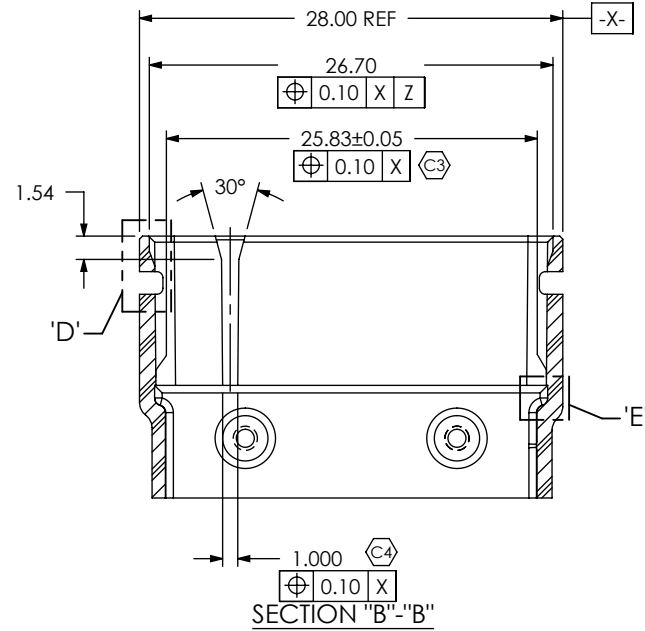
NOTES:

- ⊙ REPRESENTS A CRITICAL DIMENSION.
- SAMTEC SHALL APPEAR ON SURFACE SHOWN, APPROXIMATELY
- ALL IDENTIFICATION MARKS MUST NOT STAND GREATER THAN 0.05 OFF THE SURFACE OF THE PART.
- MOLDED SURFACES SHALL BE CONSISTENT AND SMOOTH. SURFACES TO BE FREE OF SCRATCHES, NICKS, SINK AREAS, VOIDS OR OTHER BLEMISHES.
- PARTS TO BE PACKAGED IN TRAYS.
- ALL DRAFT MUST BE WITHIN TOLERANCES.
- PARTS TO BE SHOT BLASTED.
- DIMENSION TO BE ADJUSTABLE IN THE DIE.

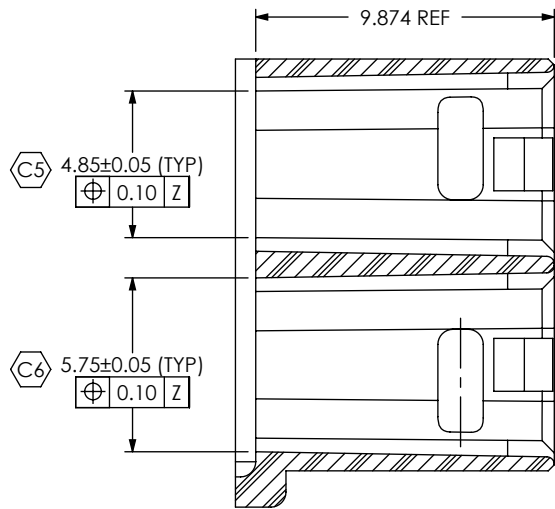
UNLESS OTHERWISE SPECIFIED, DIMENSIONS ARE IN MILLIMETERS. TOLERANCES ARE: DECIMALS                      ANGLES X.X: ±0.3                              2° X.XX: ±0.13 X.XXX: ±0.025	PROPRIETARY NOTE THIS DOCUMENT CONTAINS INFORMATION CONFIDENTIAL AND PROPRIETARY TO SAMTEC, INC. AND SHALL NOT BE REPRODUCED OR TRANSFERRED TO OTHER DOCUMENTS OR DISCLOSED TO OTHERS OR USED FOR ANY PURPOSE OTHER THAN THAT WHICH IT WAS OBTAINED WITHOUT THE EXPRESSED WRITTEN CONSENT OF SAMTEC, INC.	<p>520 PARK EAST BLVD, NEW ALBANY, IN 47150                  PHONE: 812-944-6733 FAX: 812-948-5047                  e-Mail: info@SAMTEC.com code: 55322</p>
		DWG. NO. ASP-149118-01
		BY: VICKY Z                      12/09/2009                      SHEET 1 OF 2



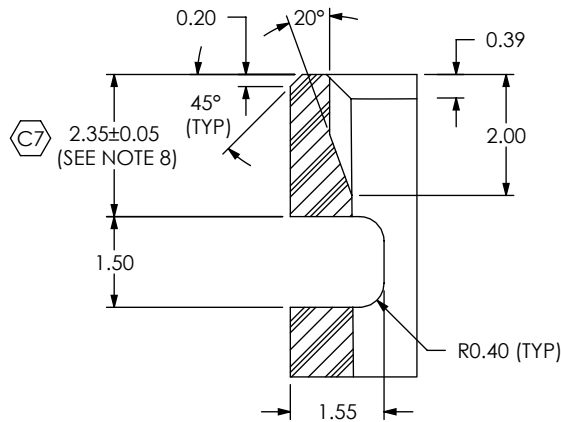
SECTION "A"-"A"



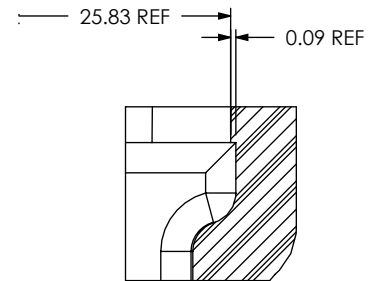
SECTION "B"-"B"



DETAIL 'C'  
SCALE 4:1



DETAIL 'D'  
SCALE 8:1



DETAIL 'E'  
SCALE 8:1

PROPRIETARY NOTE

THIS DOCUMENT CONTAINS INFORMATION CONFIDENTIAL AND PROPRIETARY TO SAMTEC, INC. AND SHALL NOT BE REPRODUCED OR TRANSFERRED TO OTHER DOCUMENTS OR DISCLOSED TO OTHERS OR USED FOR ANY PURPOSE OTHER THAN THAT WHICH IT WAS OBTAINED WITHOUT THE EXPRESSED WRITTEN CONSENT OF SAMTEC, INC.

**samtec**

520 PARK EAST BLVD, NEW ALBANY, IN 47150  
PHONE: 812-944-6733 FAX: 812-948-5047  
e-Mail: info@SAMTEC.com code: 55322

SHEET SCALE: 2:1

DESCRIPTION: 0.635MM EDGE MOUNT PCB CAGE

DWG. NO. ASP-149118-01

BY: VICKY Z 12/09/2009 SHEET 2 OF 2