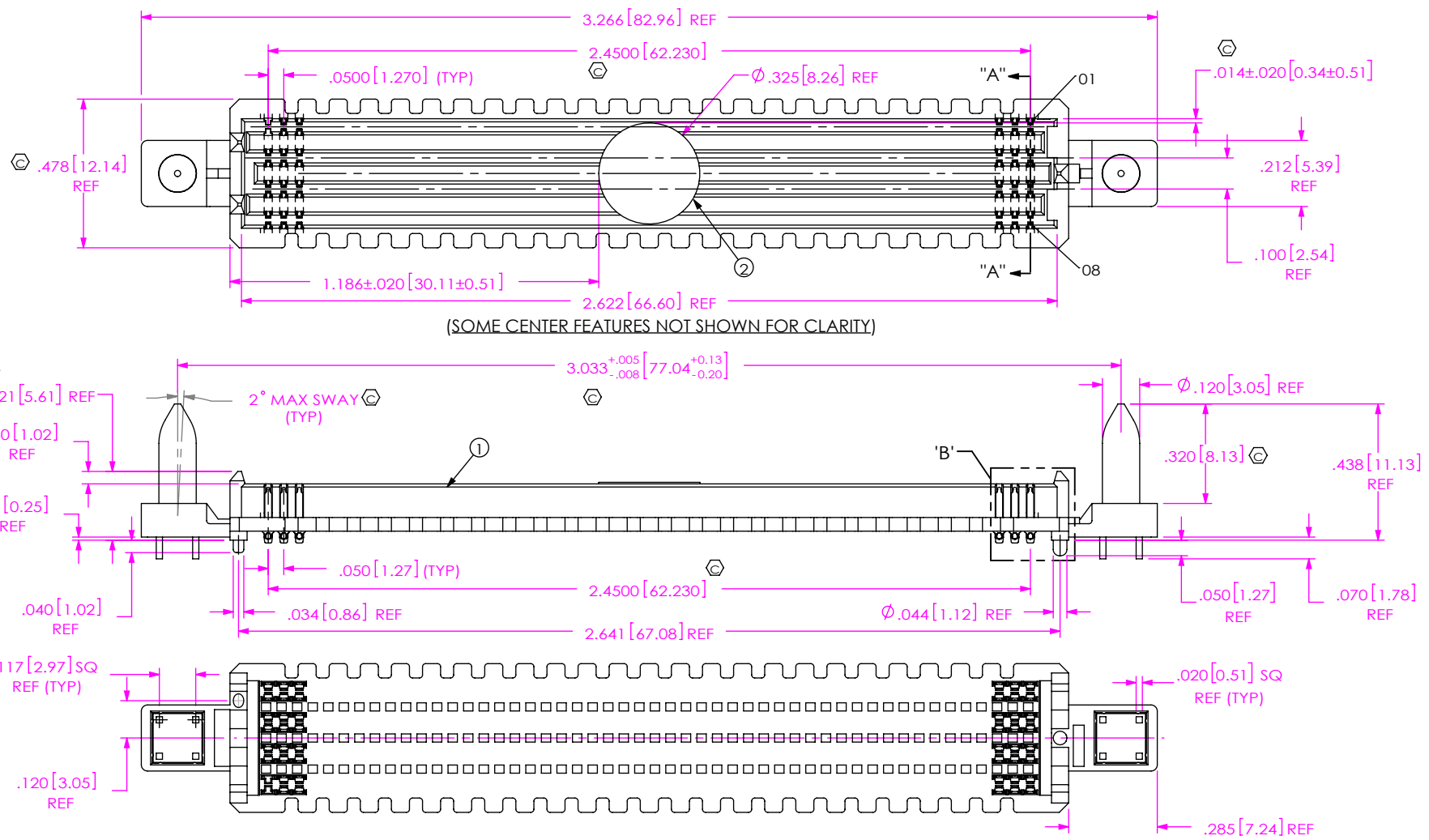


DO NOT SCALE FROM THIS PRINT

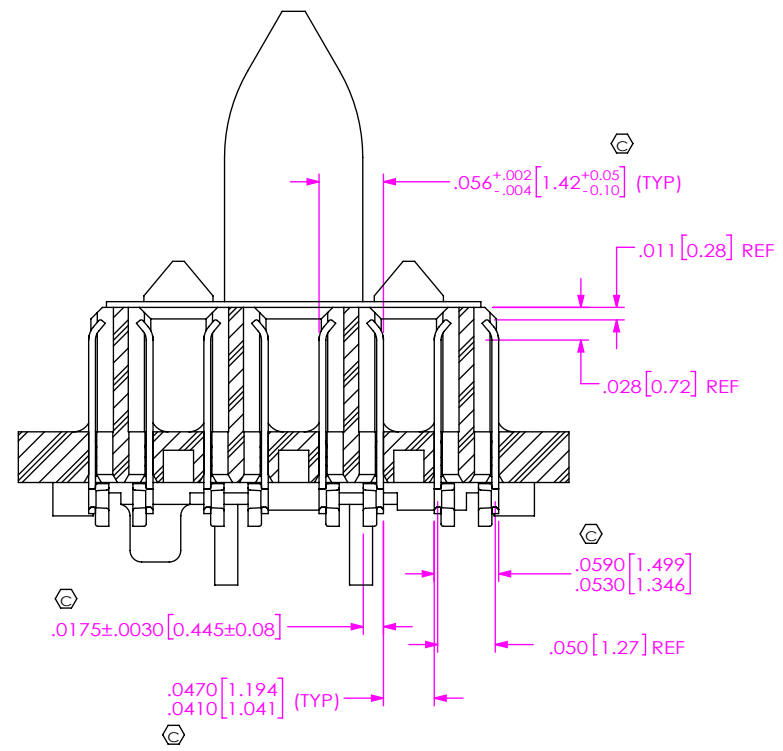
- NOTES:
1. STANDARD PART SET UP AS ASP FOR VITA 74.
 2. Ⓢ REPRESENTS A CRITICAL DIMENSION.
 3. MINIMUM PUSHOUT FORCE: 0.50 LBS.
 4. DIMENSION C15 MUST BE MEASURED USING INSPECTION FIXTURE AT-1817-836-1, USE CO-AU-WI-2003-M FOR PROCESS.
 5. ATTACH LABEL "SEAX-0001" TO EACH TAPE & REEL PACKAGE.
 6. SEE RECOMMENDED FOOTPRINT DRAWING FOR STENCIL REQUIREMENTS.
 7. NOTE DELETED.
 8. PARTS TO BE PACKAGED IN TAPE AND REEL.
 9. MAXIMUM ROW TO ROW VARIATION .003[0.08], MEASURED FIRST & LAST POSITIONS ONLY, ALL ROWS.

DO NOT UPDATE OR ADD REVISION WITHOUT APPROVAL THROUGH THE STANDARDS GROUP

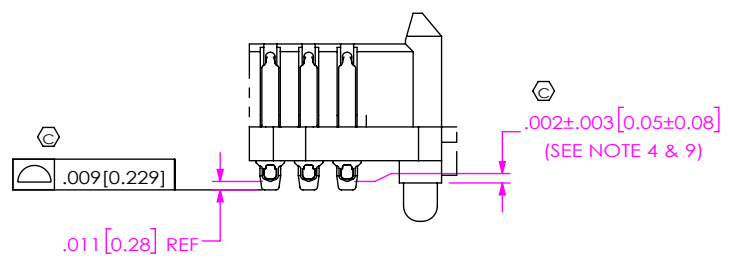


UNLESS OTHERWISE SPECIFIED, DIMENSIONS ARE IN INCHES. TOLERANCES ARE: DECIMALS ANGLES .XX: ±.01 [.3] 2° .XXX: ±.005 [.13] .XXXX: ±.0020 [.051]	PROPRIETARY NOTE THIS DOCUMENT CONTAINS CONFIDENTIAL AND PROPRIETARY INFORMATION AND ALL DESIGN, MANUFACTURING, REPRODUCTION, USE, PATENT RIGHTS AND SALES RIGHTS ARE EXPRESSLY RESERVED BY SAMTEC, INC. THIS DOCUMENT SHALL NOT BE DISCLOSED, IN WHOLE OR PART, TO ANY UNAUTHORIZED PERSON OR ENTITY NOR REPRODUCED, TRANSFERRED OR INCORPORATED IN ANY OTHER PROJECT IN ANY MANNER WITHOUT THE EXPRESS WRITTEN CONSENT OF SAMTEC, INC.	 520 PARK EAST BLVD, NEW ALBANY, IN 47150 PHONE: 812-944-6733 FAX: 812-948-5047 e-Mail: info@SAMTEC.com code 55322
PLATING TERMINAL: CONTACT: .000030 MIN GOLD OVER .000050 NICKEL REMAINDER: .000100 TIN + .000050 NICKEL GUIDE POST: ENTIRE CONTACT: .000100 TIN OVER .000050 NICKEL	DESCRIPTION: .50 PITCH TERMINAL ARRAY ASSEMBLY DWG. NO.	ASP-161073-02
F:\DWG\MISC\Mktg\ASP-161073-02-MKT.SLDDRW	BY: M SOLANO 02-21-2011	SHEET 1 OF 3

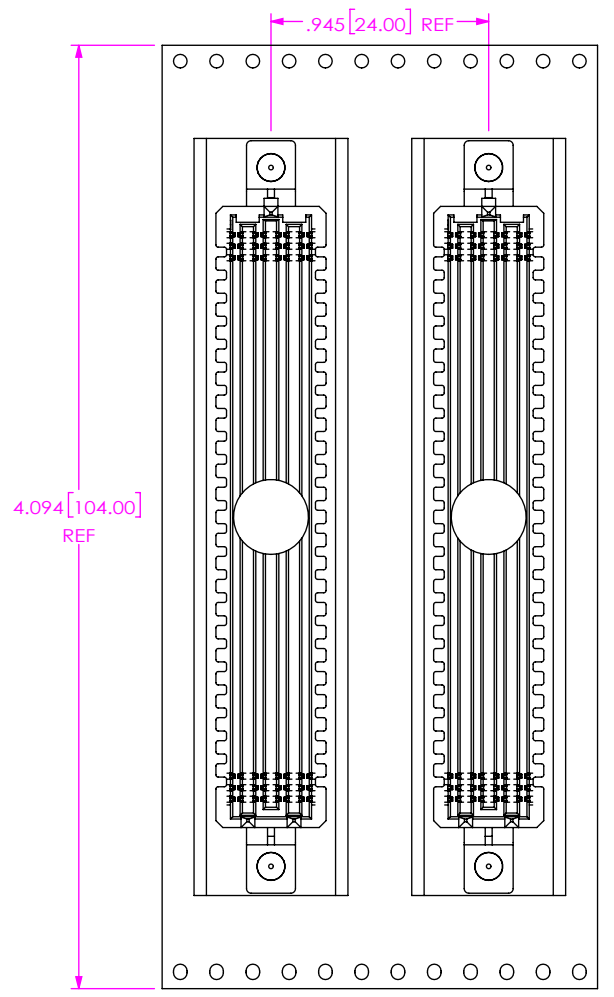
ITEM NO.	PART NUMBER	QUANTITY	MATERIAL
1	S-SEAM-50-2.0-S-08-2-A-GP-K	1.0000	INSULATOR: LCP, COLOR: BLACK TERMINAL: COPPER ALLOY/LEAD FREE SOLDER
2	K-DOT-.325-.450-.005	1.0000	POLYIMIDE FILM
3	CT-SEAM143TP	.00571	CONDUCTIVE POLYMER
4	SEAX-0001	.01000	BRASS, 1/2 HARD, COMP 22



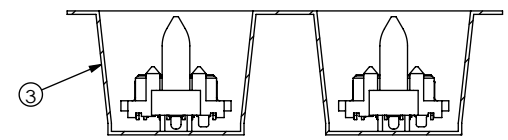
SECTION "A"-"A"
SCALE 4 : 1



DETAIL 'B'
SCALE 4 : 1



USER DIRECTION OF UN-REELING →
POCKET NOT DETAILED



PACKAGING VIEW

PROPRIETARY NOTE
THIS DOCUMENT CONTAINS CONFIDENTIAL AND PROPRIETARY INFORMATION AND ALL DESIGN, MANUFACTURING, REPRODUCTION, USE, PATENT RIGHTS AND SALES RIGHTS ARE EXPRESSLY RESERVED BY SAMTEC, INC. THIS DOCUMENT SHALL NOT BE DISCLOSED, IN WHOLE OR PART, TO ANY UNAUTHORIZED PERSON OR ENTITY NOR REPRODUCED, TRANSFERRED OR INCORPORATED IN ANY OTHER PROJECT IN ANY MANNER WITHOUT THE EXPRESS WRITTEN CONSENT OF SAMTEC, INC.

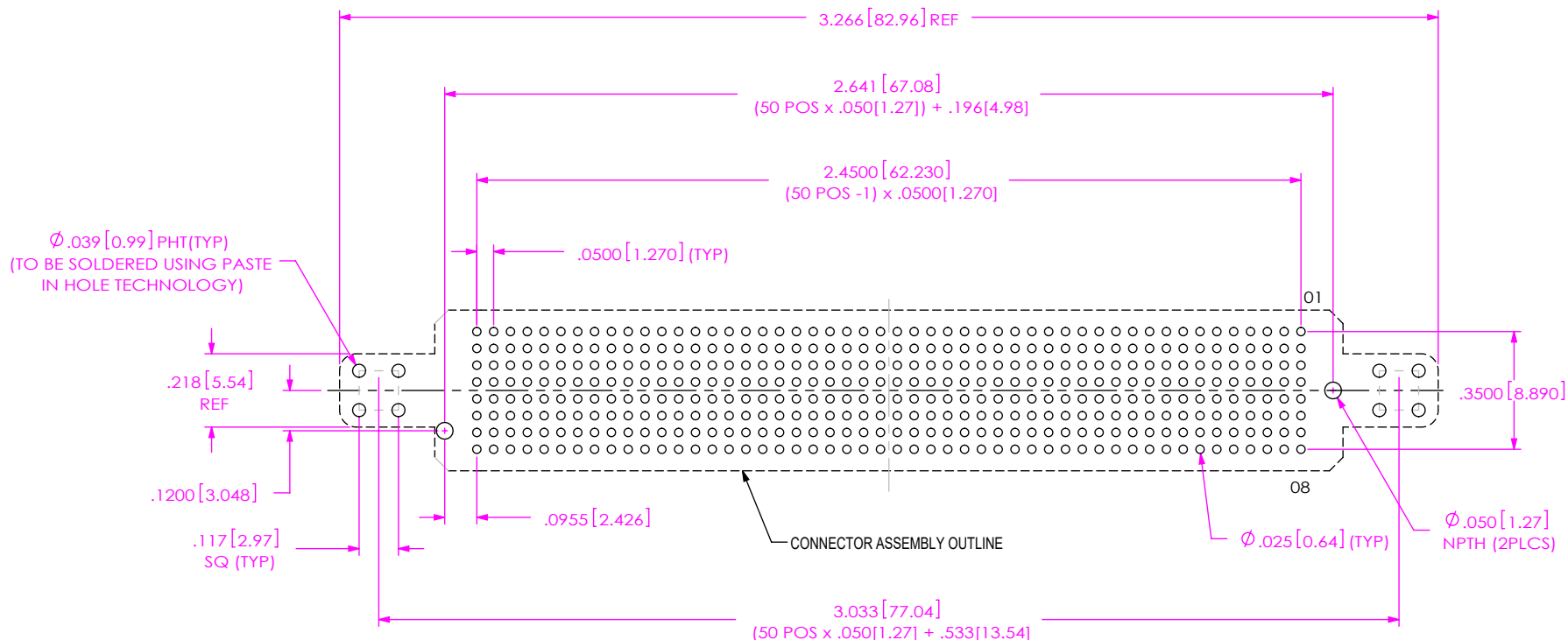
DO NOT SCALE DRAWING
SHEET SCALE: 2:1



520 PARK EAST BLVD, NEW ALBANY, IN 47150
PHONE: 812-944-6733 FAX: 812-948-5047
e-Mail: info@SAMTEC.com code 55322

DESCRIPTION:
.050 PITCH TERMINAL ARRAY ASSEMBLY
DWG. NO.

ASP-161073-02



RECOMMENDED FOOTPRINT

PROPRIETARY NOTE

THIS DOCUMENT CONTAINS CONFIDENTIAL AND PROPRIETARY INFORMATION AND ALL DESIGN, MANUFACTURING, REPRODUCTION, USE, PATENT RIGHTS AND SALES RIGHTS ARE EXPRESSLY RESERVED BY SAMTEC, INC. THIS DOCUMENT SHALL NOT BE DISCLOSED, IN WHOLE OR PART, TO ANY UNAUTHORIZED PERSON OR ENTITY NOR REPRODUCED, TRANSFERRED OR INCORPORATED IN ANY OTHER PROJECT IN ANY MANNER WITHOUT THE EXPRESS WRITTEN CONSENT OF SAMTEC, INC.



520 PARK EAST BLVD, NEW ALBANY, IN 47150
 PHONE: 812-944-6733 FAX: 812-948-5047
 e-Mail: info@SAMTEC.com code 55322

SHEET SCALE: 2:1

DESCRIPTION:
 .050 PITCH TERMINAL ARRAY ASSEMBLY

DWG. NO.
 ASP-161073-02