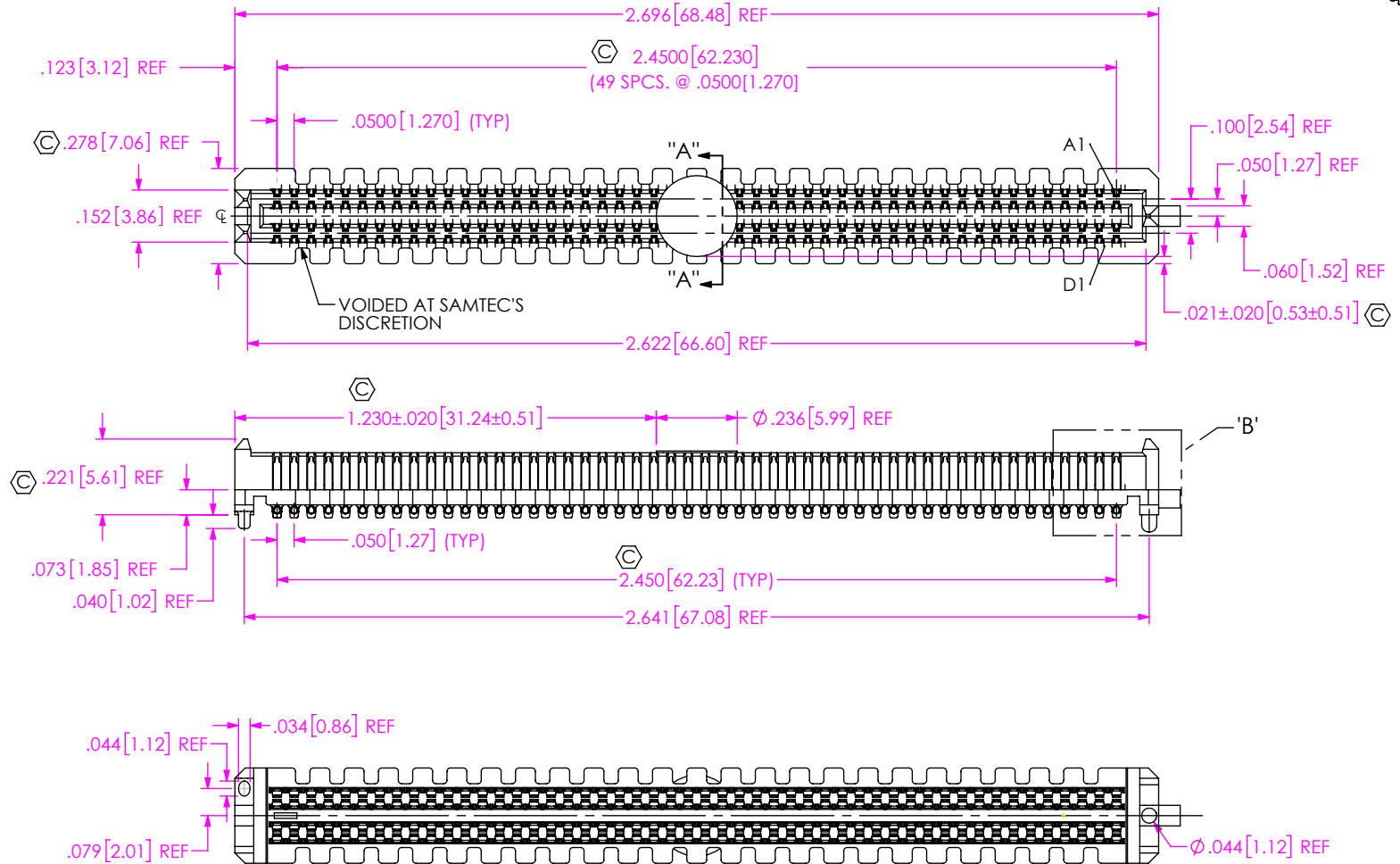
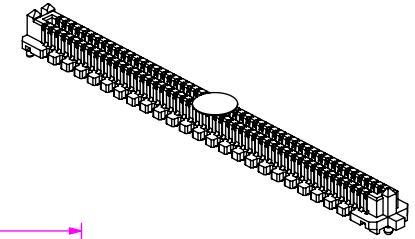


NOTES:

1. SET UP AS ASP FOR VITA74.
2. Ⓢ REPRESENTS A CRITICAL DIMENSION.
3. MINIMUM PUSHOUT FORCE: 0.50 LBS
4. DIMENSION MUST BE MEASURED USING INSPECTION FIXTURE AT-1817-836-1.
USE CO-AU-WI-2003-M FOR PROCESS.
5. SOLDER CHARGE VOLUME IS 0.891 x 10^-5 IN ^3 REF.
6. MAXIMUM ROW TO ROW VARIATION .003[0.08], MEASURED FIRST & LAST POSITIONS ONLY, ALL ROWS.
7. PARTS TO BE PACKAGED IN TAPE & REEL.
ATTACH LABEL "SEAX-0001" TO EACH TAPE & REEL PACKAGE.

DO NOT SCALE FROM THIS PRINT



UNLESS OTHERWISE SPECIFIED, DIMENSIONS ARE IN INCHES.

TOLERANCES ARE:
 DECIMALS: .XX: ±.01[0.3]
 .XXX: ±.005[0.13]
 .XXXX: ±.0020[0.051]

ANGLES: 2°

PROPRIETARY NOTE

THIS DOCUMENT CONTAINS CONFIDENTIAL AND PROPRIETARY INFORMATION AND ALL DESIGN, MANUFACTURING, REPRODUCTION, USE, PATENT RIGHTS AND SALES RIGHTS ARE EXPRESSLY RESERVED BY SAMTEC, INC. THIS DOCUMENT SHALL NOT BE DISCLOSED, IN WHOLE OR PART, TO ANY UNAUTHORIZED PERSON OR ENTITY NOR REPRODUCED, TRANSFERRED OR INCORPORATED IN ANY OTHER PROJECT IN ANY MANNER WITHOUT THE EXPRESS WRITTEN CONSENT OF SAMTEC, INC.



520 PARK EAST BLVD, NEW ALBANY, IN 47150
 PHONE: 812-944-6733 FAX: 812-948-5047
 e-Mail: info@SAMTEC.com code 53322

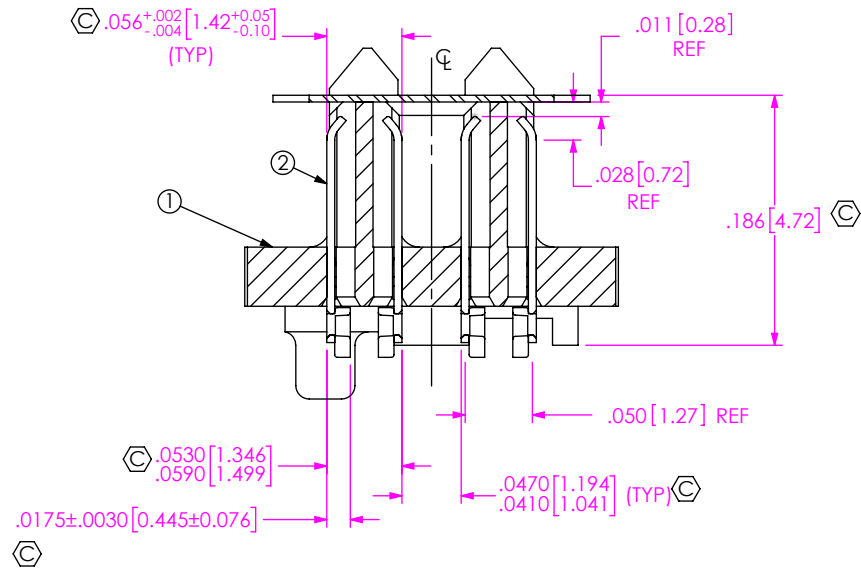
DO NOT SCALE DRAWING SHEET SCALE: 2:1
 PLATING:
 CONTACT AREA: .000030 GOLD OVER .000050 NICKEL
 REMAINDER: .000200 REF TIN OVER .000050 NICKEL
 SOLDER COMPOSITION: 95.5% TIN/3.8% SILVER/0.7% COPPER Ⓢ

DESCRIPTION:
 MODIFIED .050 PITCH TERMINAL ARRAY ASM

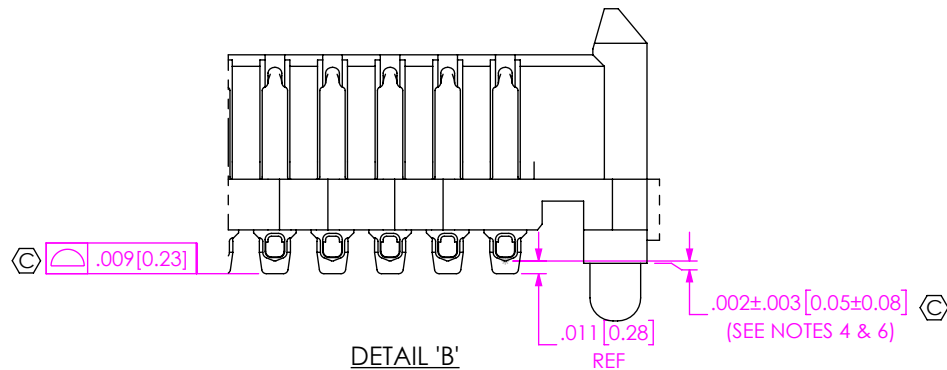
DWG. NO. ASP-161073-03

BY: JACK Z 05/10/2021 SHEET 1 OF 2

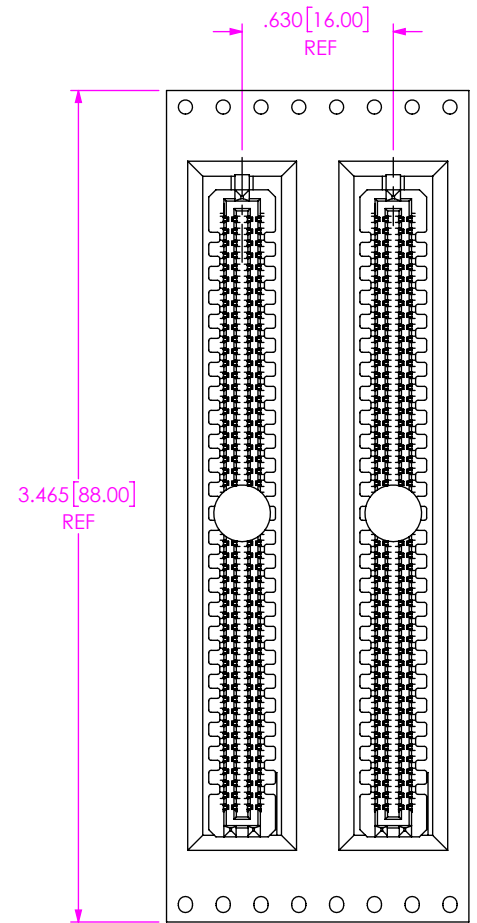
ITEM NO.	PART NUMBER	QUANTITY	MATERIAL
1	SEAM-50-02.0-04-A	1.0000	VECTRA E130i, COLOR: BLACK
2	NEW-SUB-T-1M36-02.0-S-2	200.00	COPPER ALLOY/LEAD FREE SOLDER
3	K-DOT-.236-.343-.005	1.0000	POLYIMIDE FILM
4	CT-SEAM044MS	.00286	CONDUCTIVE POLYMER



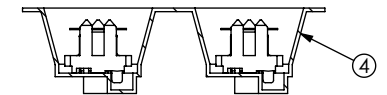
SECTION "A"-"A"
SCALE 4 : 1



DETAIL 'B'
SCALE 7 : 1



USER DIRECTION OF UN-REELING
POCKET NOT DETAILED →



PACKAGING VIEW

PROPRIETARY NOTE

THIS DOCUMENT CONTAINS CONFIDENTIAL AND PROPRIETARY INFORMATION AND ALL DESIGN, MANUFACTURING, REPRODUCTION, USE, PATENT RIGHTS AND SALES RIGHTS ARE EXPRESSLY RESERVED BY SAMTEC, INC. THIS DOCUMENT SHALL NOT BE DISCLOSED, IN WHOLE OR PART, TO ANY UNAUTHORIZED PERSON OR ENTITY NOR REPRODUCED, TRANSFERRED OR INCORPORATED IN ANY OTHER PROJECT IN ANY MANNER WITHOUT THE EXPRESS WRITTEN CONSENT OF SAMTEC, INC.

samtec

520 PARK EAST BLVD., NEW ALBANY, IN 47150
PHONE: 812-944-6733 FAX: 812-948-5047
e-Mail: info@SAMTEC.com code 5332

SHEET SCALE: 2:1

DESCRIPTION:
MODIFIED .050 PITCH TERMINAL ARRAY ASM

DWG. NO.
ASP-161073-03