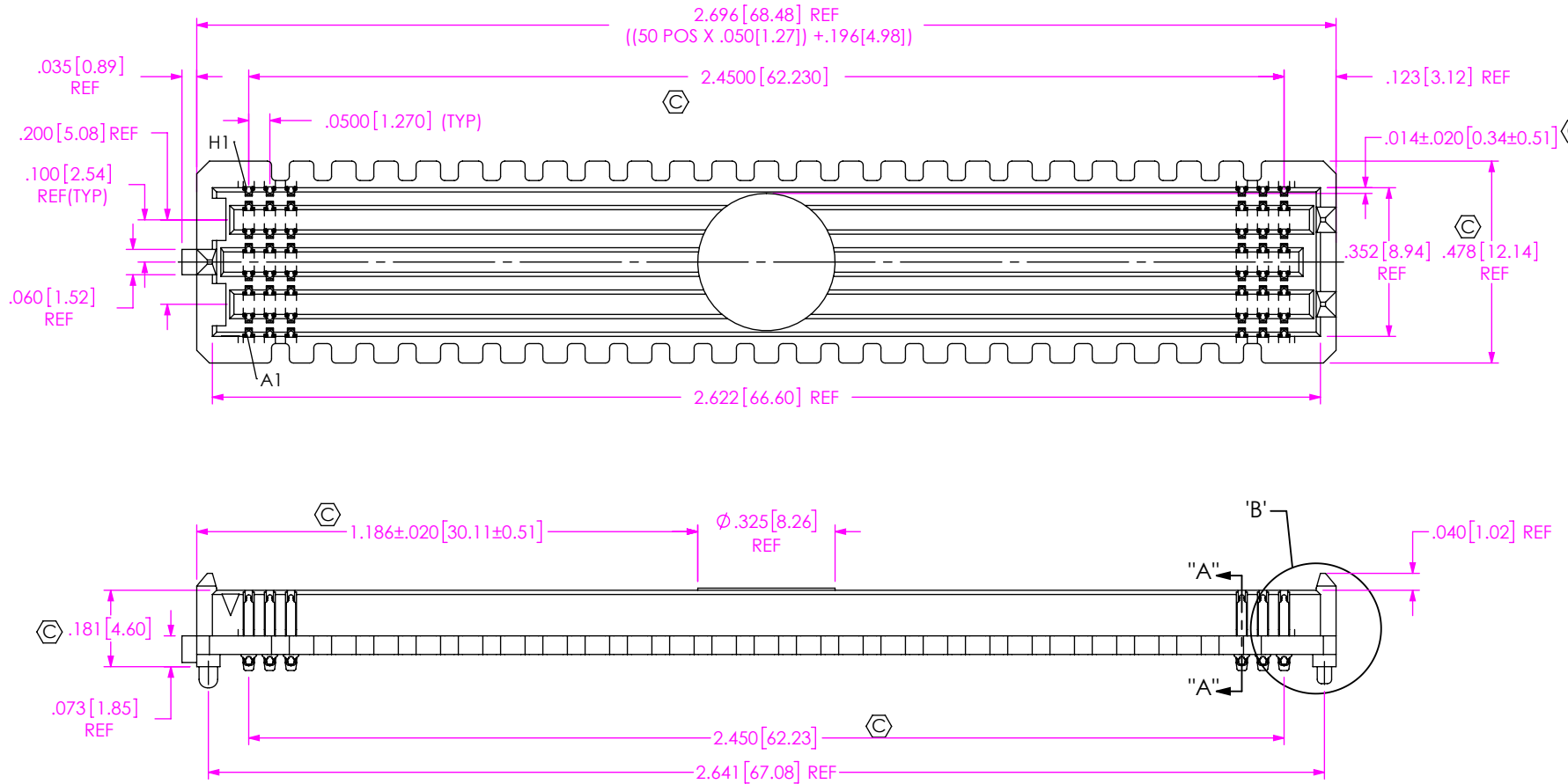


DO NOT SCALE FROM THIS PRINT

NOTES:

1. STANDARD PART SET UP AS VITA74.
2. Ⓢ REPRESENTS A CRITICAL DIMENSION.
3. DIMENSION MUST BE MEASURED ON FOUR CORNERS USING INSPECTION FIXTURE AT-1817-836-2, USE CO-AU-WI-2003-M FOR PROCESS.
4. MINIMUM PUSHOUT FORCE: 0.50 LBS.
5. MEASURED FIRST & LAST POSITIONS ONLY, ALL ROWS.
6. PARTS TO BE PACKAGED IN TAPE AND REEL; ATTACH LABEL "SEAX-0001" TO EACH TAPE & REEL PACKAGE. ORDERS WILL BE PACKAGED ACCORDING TO THE SAMTEC PACKAGING EFFICIENCY STANDARDS (SPES) FOUND ON WWW.SAMTEC.COM.

DO NOT UPDATE OR ADD REVISION WITHOUT APPROVAL THROUGH THE STANDARDS GROUP



UNLESS OTHERWISE SPECIFIED, DIMENSIONS ARE IN INCHES.

TOLERANCES ARE:

DECIMALS ANGLES
 .XX: ±.01[0.3] 2°
 .XXX: ±.005[0.13]
 .XXXX: ±.0020[0.051]

PROPRIETARY NOTE
 THIS DOCUMENT CONTAINS CONFIDENTIAL AND PROPRIETARY INFORMATION AND ALL DESIGN, MANUFACTURING, REPRODUCTION, USE, PATENT RIGHTS AND SALES RIGHTS ARE EXPRESSLY RESERVED BY SAMTEC, INC. THIS DOCUMENT SHALL NOT BE DISCLOSED, IN WHOLE OR PART, TO ANY UNAUTHORIZED PERSON OR ENTITY NOR REPRODUCED, TRANSFERRED OR INCORPORATED IN ANY OTHER PROJECT IN ANY MANNER WITHOUT THE EXPRESS WRITTEN CONSENT OF SAMTEC, INC.



520 PARK EAST BLVD., NEW ALBANY, IN 47150
 PHONE: 812-944-6733 FAX: 812-948-5047
 e-Mail: info@SAMTEC.com code 53322

DO NOT SCALE DRAWING SHEET SCALE: 2.5:1

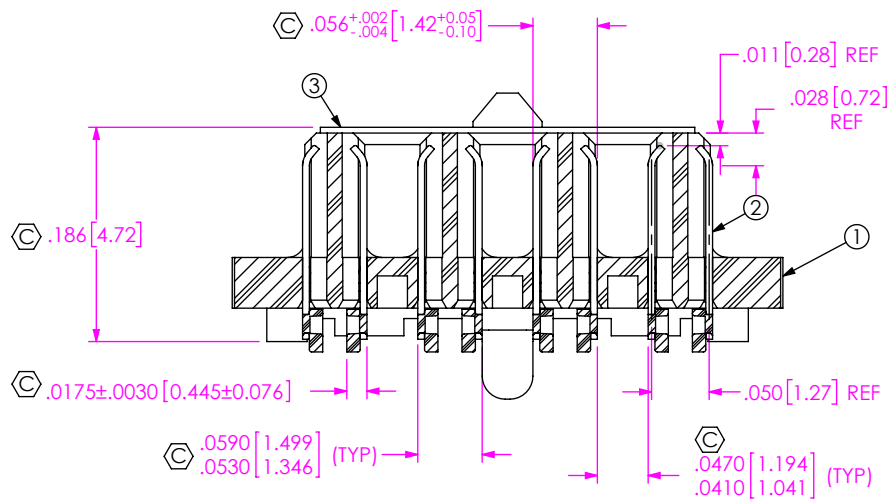
PLATING:
 CONTACT AREA: .00010 GOLD OVER .000050 NICKEL
 REMAINDER: .000200 REF TIN OVER .000050 NICKEL
 SOLDER COMPOSITION: 95.5% TIN / 3.8% SILVER / .7% COPPER CHARGE TAIL

DESCRIPTION:
 VITA74 .050 PITCH TERMINAL ARRAY ASM

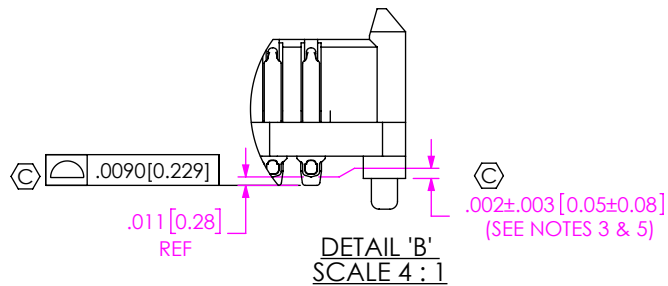
DWG. NO. ASP-161073-04

BY: J. BROWNING 05/10/2021 SHEET 1 OF 3

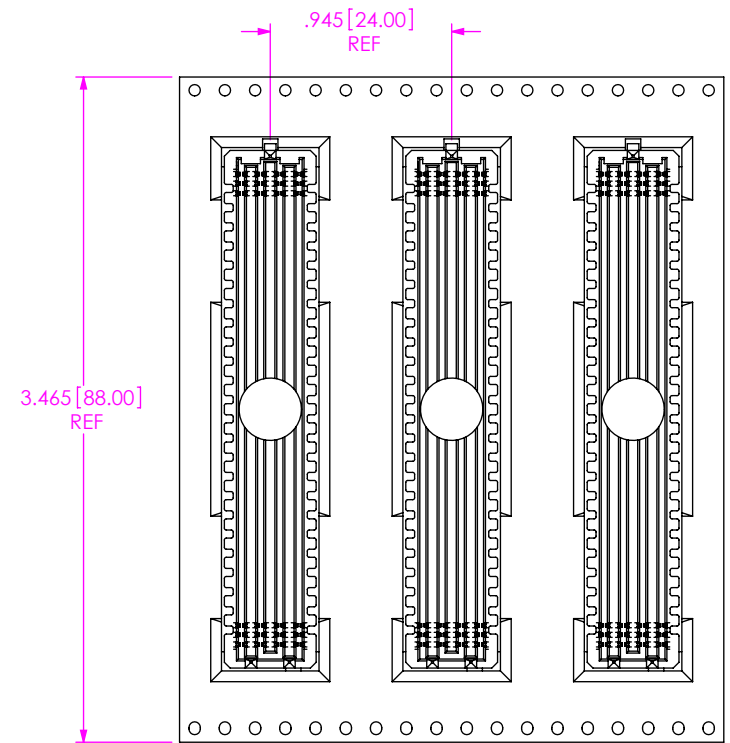
ITEM NO.	PART NUMBER	QUANTITY	MATERIAL
1	SEAM-50-02.0-08-A	1.0000	LCP,UL 94 VO, COLOR: BLACK
2	NEW-SUB-T-1M36-02.0-L-2	400.00	COPPER ALLOY/LEAD FREE SOLDER
3	K-DOT-.325-.450-.005	1.0000	POLYIMIDE FILM
4	CT-SEAM034MS	.00444	CONDUCTIVE POLYMER



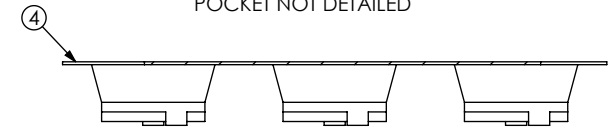
SECTION "A"- "A"
SCALE 6 : 1



DETAIL 'B'
SCALE 4 : 1



USER DIRECTION OF UN-REELING →
POCKET NOT DETAILED



PACKAGING VIEW

PROPRIETARY NOTE

THIS DOCUMENT CONTAINS CONFIDENTIAL AND PROPRIETARY INFORMATION AND ALL DESIGN, MANUFACTURING, REPRODUCTION, USE, PATENT RIGHTS AND SALES RIGHTS ARE EXPRESSLY RESERVED BY SAMTEC, INC. THIS DOCUMENT SHALL NOT BE DISCLOSED, IN WHOLE OR PART, TO ANY UNAUTHORIZED PERSON OR ENTITY NOR REPRODUCED, TRANSFERRED OR INCORPORATED IN ANY OTHER PROJECT IN ANY MANNER WITHOUT THE EXPRESS WRITTEN CONSENT OF SAMTEC, INC.



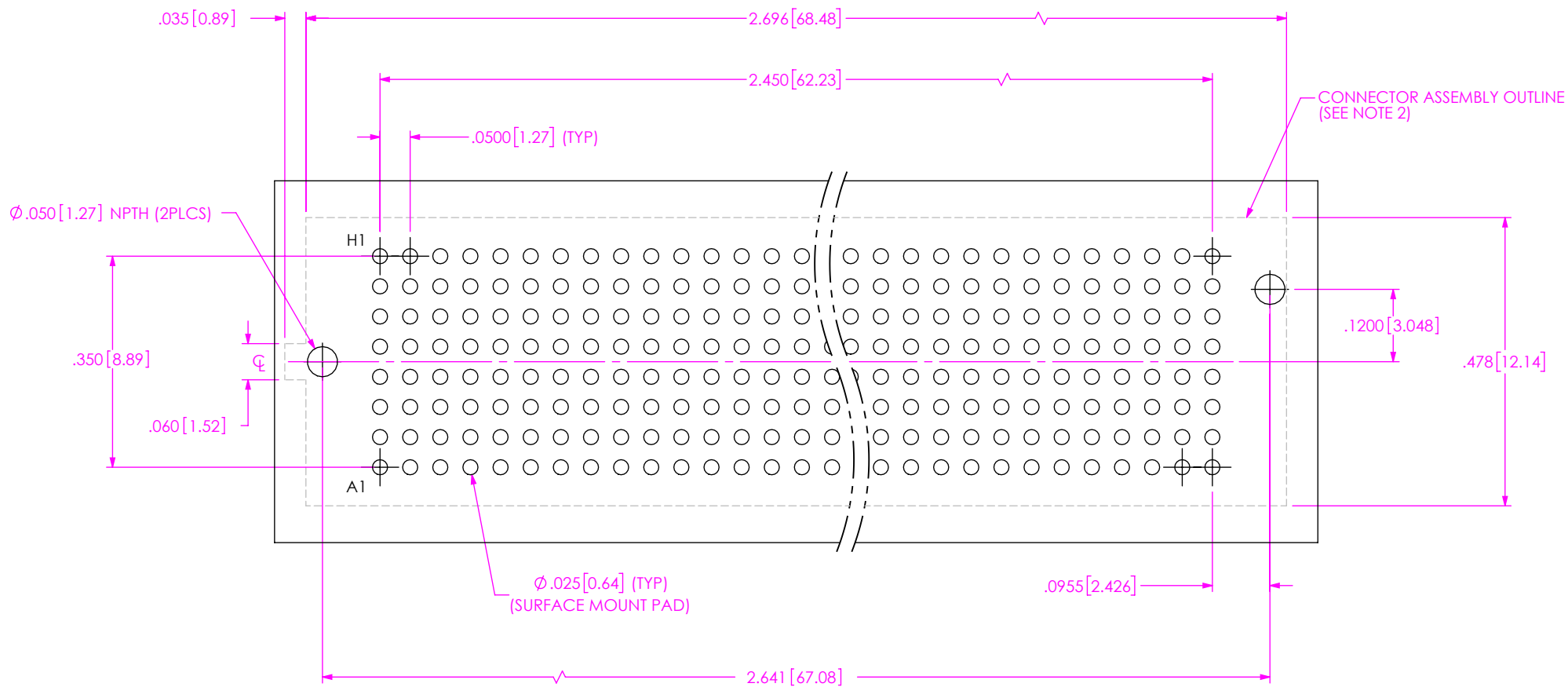
520 PARK EAST BLVD, NEW ALBANY, IN 47150
PHONE: 812-944-6733 FAX: 812-948-5047
e-Mail: info@SAMTEC.com code 55322

SHEET SCALE: 2.5:1

DESCRIPTION:
VITA74 .050 PITCH TERMINAL ARRAY ASM

DWG. NO. ASP-161073-04

BY: J. BROWNING 05/10/2021 SHEET 2 OF 3



RECOMMENDED PCB LAYOUT

PROPRIETARY NOTE

THIS DOCUMENT CONTAINS CONFIDENTIAL AND PROPRIETARY INFORMATION AND ALL DESIGN, MANUFACTURING, REPRODUCTION, USE, PATENT RIGHTS AND SALES RIGHTS ARE EXPRESSLY RESERVED BY SAMTEC, INC. THIS DOCUMENT SHALL NOT BE DISCLOSED, IN WHOLE OR PART, TO ANY UNAUTHORIZED PERSON OR ENTITY NOR REPRODUCED, TRANSFERRED OR INCORPORATED IN ANY OTHER PROJECT IN ANY MANNER WITHOUT THE EXPRESS WRITTEN CONSENT OF SAMTEC, INC.



520 PARK EAST BLVD, NEW ALBANY, IN 47150
 PHONE: 812-944-6733 FAX: 812-948-5047
 e-Mail: info@SAMTEC.com code 55322

SHEET SCALE: 2.5:1

DESCRIPTION:
 VITA74 .050 PITCH TERMINAL ARRAY ASM

DWG. NO.
 ASP-161073-04

BY: J. BROWNING 05/10/2021 SHEET 3 OF 3