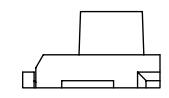
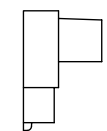
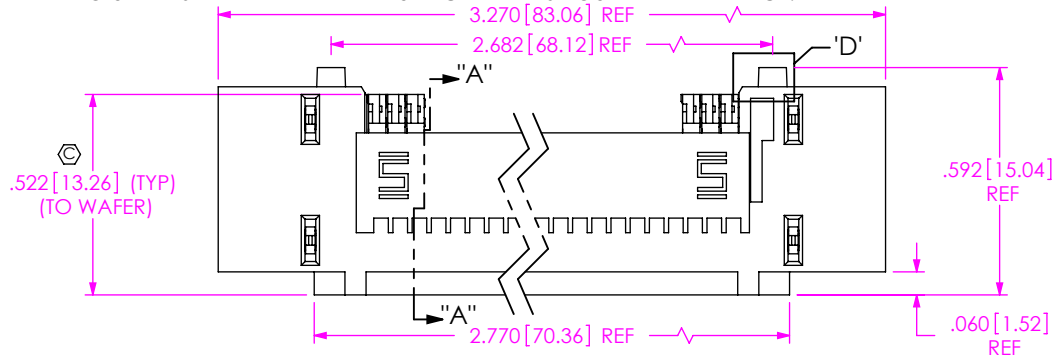


DO NOT SCALE FROM THIS PRINT

DO NOT UPDATE OR ADD REVISION WITHOUT APPROVAL THROUGH THE STANDARDS GROUP

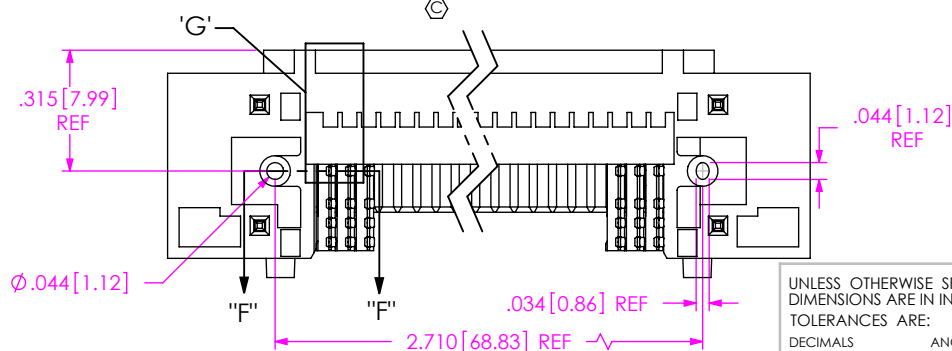
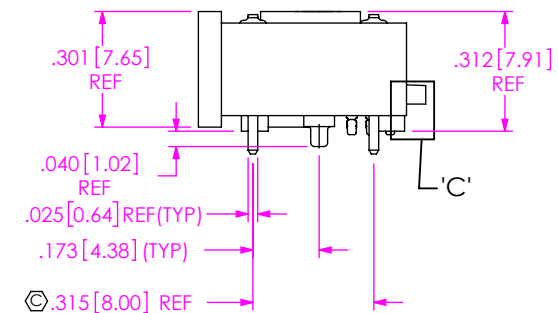
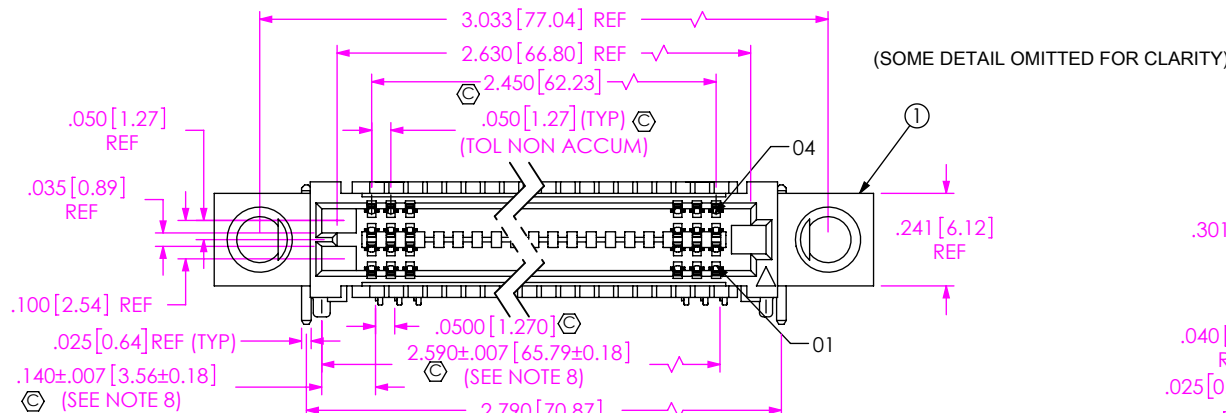
NOTES:

1. STANDARD PART SET UP AS ASP FOR VITA74.
2. $\text{\textcircled{C}}$ REPRESENTS A CRITICAL DIMENSION.
3. MINIMUM PUSH-OUT FORCE: .50 LBS[2.2N].
4. INSPECT DIMENSION AT 4 CORNERS OF PART.
5. FEATURE REQUIRED FOR VISION INSPECTION.
6. ATTACH LABEL "SEAX-0001" TO EACH TAPE & REEL PACKAGE.
7. PARTS TO BE PACKAGED IN TAPE & REEL.
8. CHECK DIMENSION ON FIRST AND LAST ROW OF TAILS.
9. A 20-30°C TEMPERATURE DIFFERENCE MAY EXIST BETWEEN THIS HIGH-DENSITY COMPONENT AND THE BOARD SURFACE DURING REFLOW. SAMTEC RECOMMENDS A THERMAL STUDY BE PERFORMED TO UNDERSTAND THE TEMPERATURE GRADIENTS YOU MAY EXPERIENCE.



DETAIL 'C'
SCALE 4.5 : 1
(SEE NOTE 5)

DETAIL 'D'
SCALE 4.5 : 1
(SEE NOTE 5)



UNLESS OTHERWISE SPECIFIED, DIMENSIONS ARE IN INCHES.
TOLERANCES ARE:
DECIMALS ANGLES
.XX: ±.01[.3] 2°
.XXX: ±.005[.13]
.XXXX: ±.0020[.051]

PROPRIETARY NOTE
THIS DOCUMENT CONTAINS CONFIDENTIAL AND PROPRIETARY INFORMATION AND ALL DESIGN, MANUFACTURING, REPRODUCTION, USE, PATENT RIGHTS AND SALES RIGHTS ARE EXPRESSLY RESERVED BY SAMTEC, INC. THIS DOCUMENT SHALL NOT BE DISCLOSED, IN WHOLE OR PART, TO ANY UNAUTHORIZED PERSON OR ENTITY NOR REPRODUCED, TRANSFERRED OR INCORPORATED IN ANY OTHER PROJECT IN ANY MANNER WITHOUT THE EXPRESS WRITTEN CONSENT OF SAMTEC, INC.

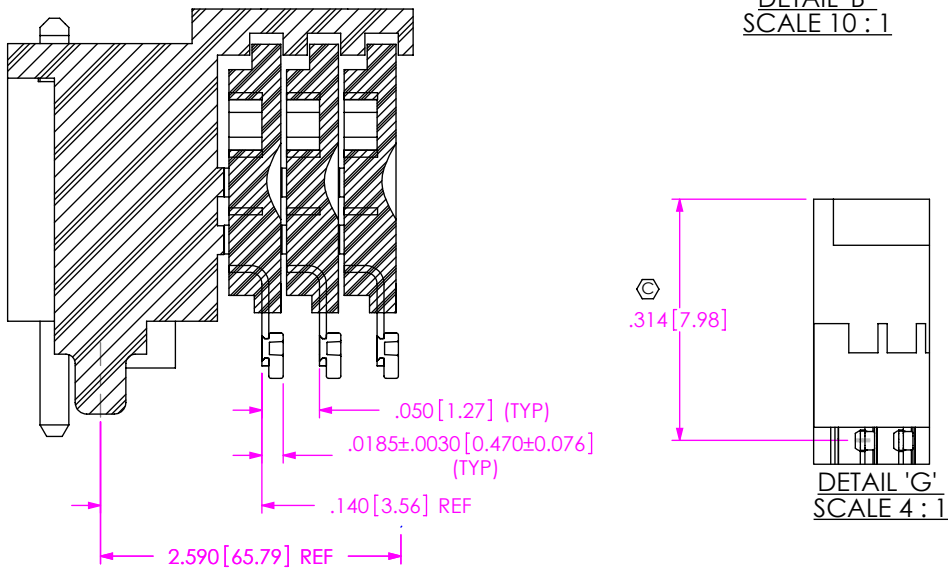
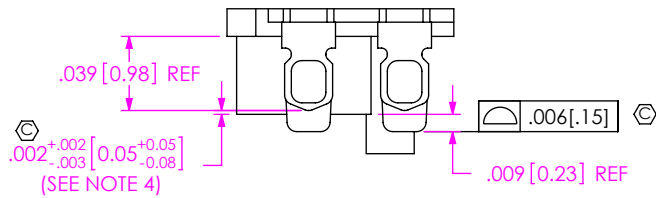
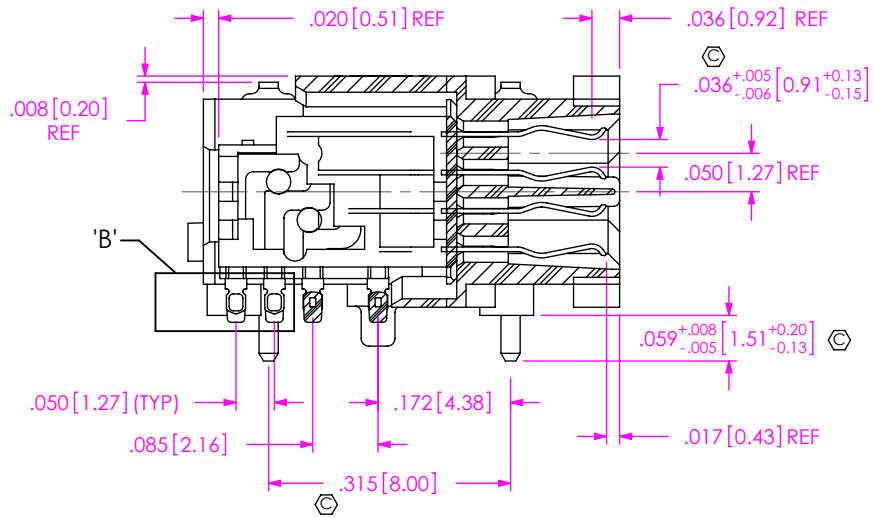


520 PARK EAST BLVD, NEW ALBANY, IN 47150
PHONE: 812-944-6733 FAX: 812-948-5047
e-Mail: info@SAMTEC.com code 53322

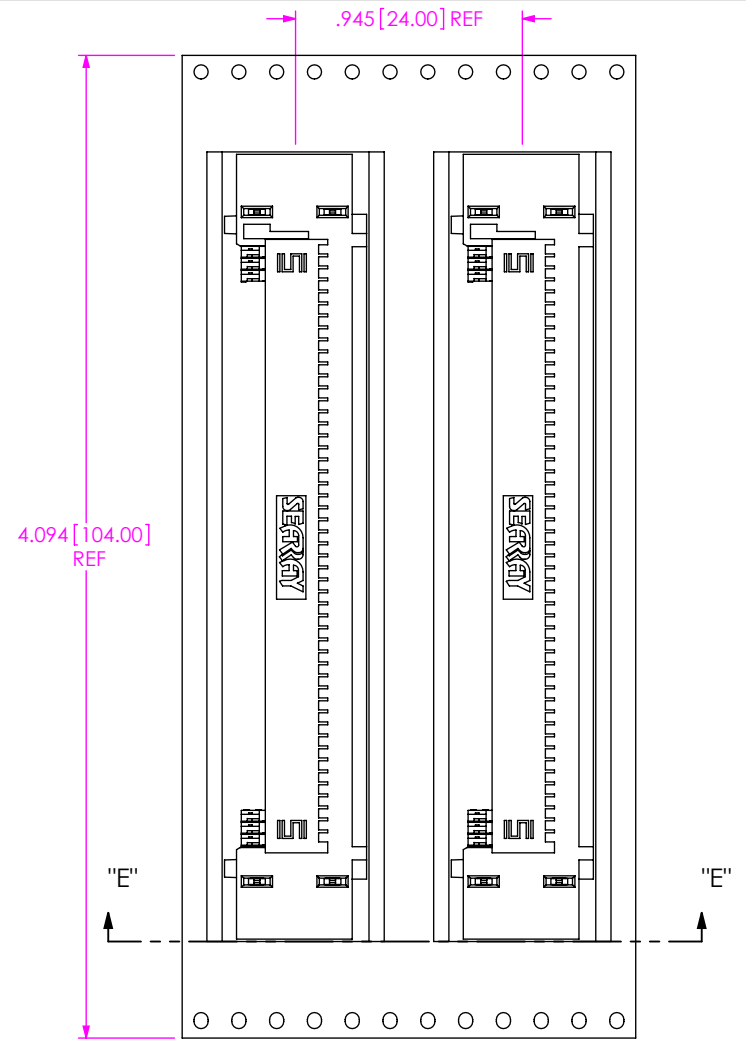
PLATING: DO NOT SCALE DRAWING SHEET SCALE: 2:1
CONTACTS: .00030 MIN GOLD OVER .000050 MIN NICKEL
CONTACT AREA: .000200 REF TIN OVER .000050 MIN NICKEL
REMAINDER: .000200 REF TIN OVER .000050 MIN NICKEL
WELD TABS:
ENTIRE CONTACT: .000150 TIN OVER .000050 NICKEL
SOLDER COMPOSITION:
95.5% TIN / 3.8 SILVER / 0.7% COPPER
LEAD FREE CHARGE TAIL
F:\DWG\MISC\Mktg\ASP-161074-01-MKT.SLDDRW

DESCRIPTION: SEAF-RA
DWG. NO. ASP-161074-01
BY: M SOLANO 2/18/2011 SHEET 1 OF 2

TEM NO	PART NUMBER	QTY	MATERIAL
1	S-SEAF-50-01-S-04-2-RA-GP-TR	1.0000	INSULATOR: LCP, COLOR BLACK; CONTACT: PHOS BRONZE
2	CT-SEAF072TP	.00444	CONDUCTIVE POLYMER
3	SEAX-0001	.01000	LABEL



DETAIL "G"
SCALE 4 : 1



PROPRIETARY NOTE
THIS DOCUMENT CONTAINS CONFIDENTIAL AND PROPRIETARY INFORMATION AND ALL DESIGN, MANUFACTURING, REPRODUCTION, USE, PATENT RIGHTS AND SALES RIGHTS ARE EXPRESSLY RESERVED BY SAMTEC, INC. THIS DOCUMENT SHALL NOT BE DISCLOSED, IN WHOLE OR PART, TO ANY UNAUTHORIZED PERSON OR ENTITY NOR REPRODUCED, TRANSFERRED OR INCORPORATED IN ANY OTHER PROJECT IN ANY MANNER WITHOUT THE EXPRESS WRITTEN CONSENT OF SAMTEC, INC.



520 PARK EAST BLVD. NEW ALBANY, IN 47150
PHONE: 812-944-6733 FAX: 812-948-5047
e-Mail: info@SAMTEC.com code 55322

SHEET SCALE: 1:1

DESCRIPTION: SEAF-RA

DWG. NO. ASP-161074-01