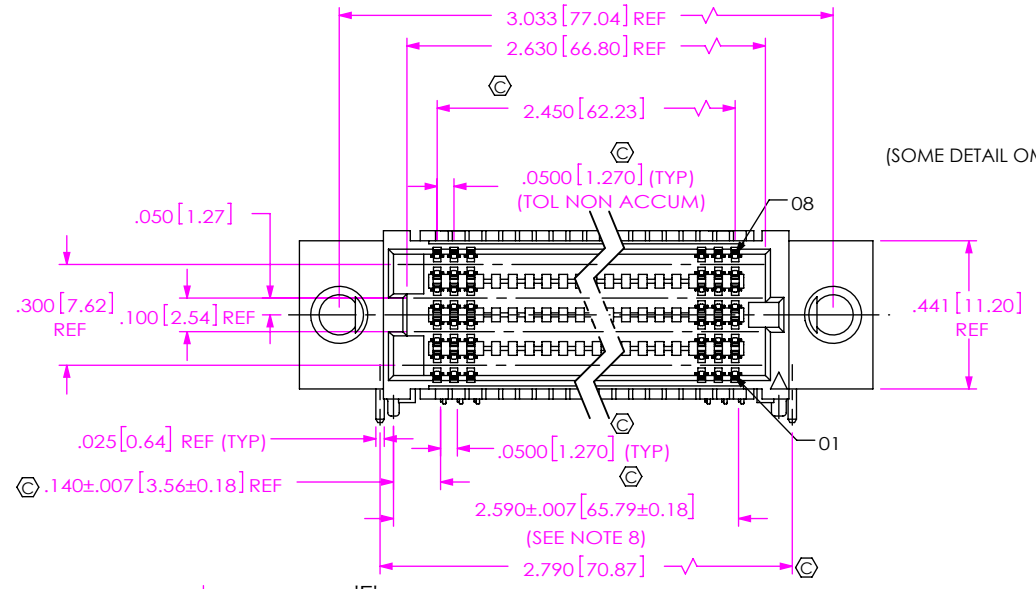
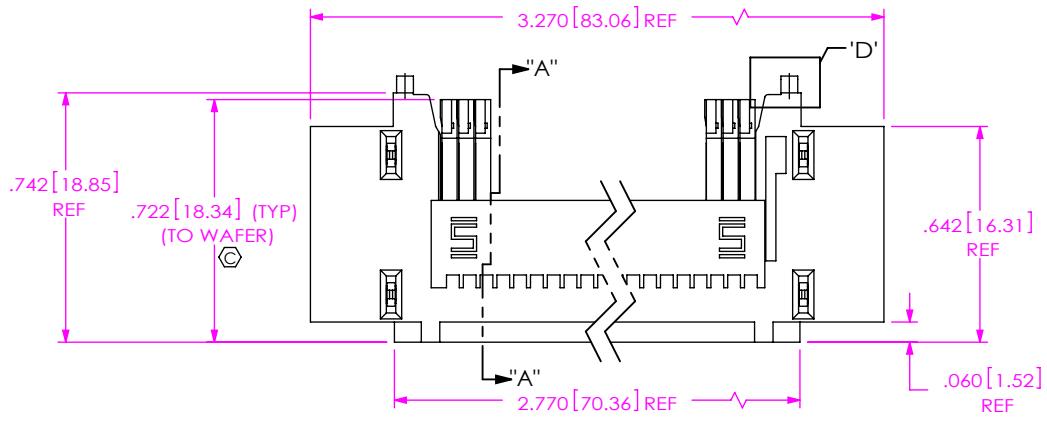


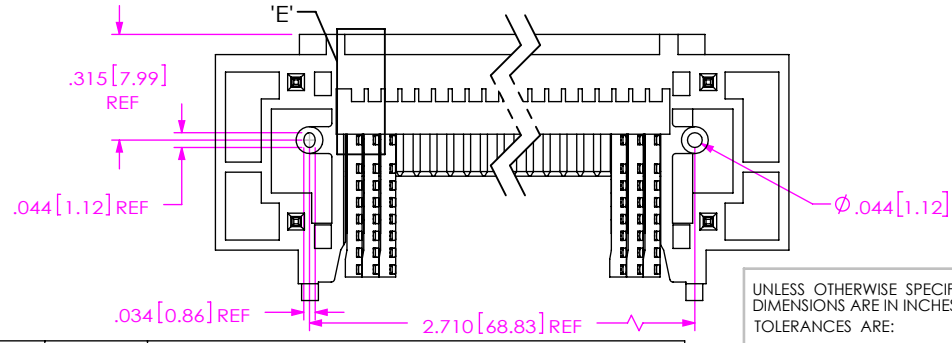
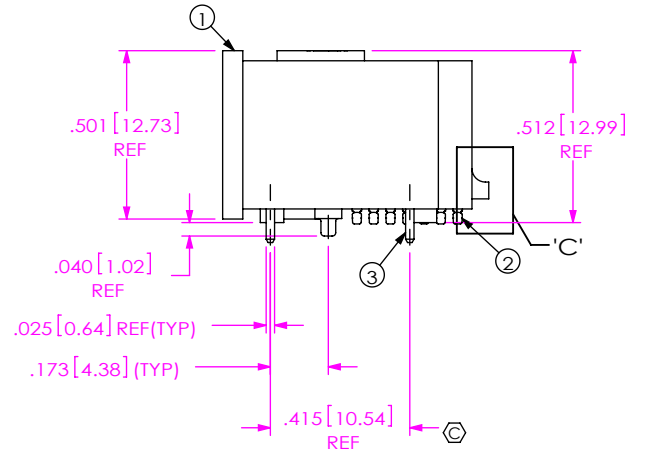
DO NOT SCALE FROM THIS PRINT

DO NOT UPDATE OR ADD REVISION WITHOUT APPROVAL THROUGH THE STANDARDS GROUP



(SOME DETAIL OMITTED FOR CLARITY)

- NOTES:
1. STANDARD PART SETUP FOR VITA 74/NANO-ATR STANDARD.
 2. \odot REPRESENTS A CRITICAL DIMENSION.
 3. MINIMUM PUSH-OUT FORCE: .50 LBS [2.2N].
 4. INSPECT DIMENSION AT 4 CORNERS OF PART.
 5. FEATURE REQUIRED FOR VISION INSPECTION.
 6. ATTACH LABEL "SEAX-0001" TO EACH TAPE & REEL PACKAGE.
 7. PARTS TO BE PACKAGED IN TAPE & REEL.
 8. CHECK DIMENSION ON FIRST AND LAST ROW OF TAILS.
 9. A 20-30°C TEMPERATURE DIFFERENCE MAY EXIST BETWEEN THIS HIGH-DENSITY COMPONENT AND THE BOARD SURFACE DURING REFLOW. SAMTEC RECOMMENDS A THERMAL STUDY BE PERFORMED TO UNDERSTAND THE TEMPERATURE GRADIENTS YOU MAY EXPERIENCE.



UNLESS OTHERWISE SPECIFIED, DIMENSIONS ARE IN INCHES. TOLERANCES ARE:
 DECIMALS ANGLES
 .XX: ±.01 [.3] 2°
 .XXX: ±.005 [.13]
 .XXXX: ±.0020 [.051]

PROPRIETARY NOTE
 THIS DOCUMENT CONTAINS CONFIDENTIAL AND PROPRIETARY INFORMATION AND ALL DESIGN, MANUFACTURING, REPRODUCTION, USE, PATENT RIGHTS AND SALES RIGHTS ARE EXPRESSLY RESERVED BY SAMTEC, INC. THIS DOCUMENT SHALL NOT BE DISCLOSED, IN WHOLE OR PART, TO ANY UNAUTHORIZED PERSON OR ENTITY NOR REPRODUCED, TRANSFERRED OR INCORPORATED IN ANY OTHER PROJECT IN ANY MANNER WITHOUT THE EXPRESS WRITTEN CONSENT OF SAMTEC, INC.

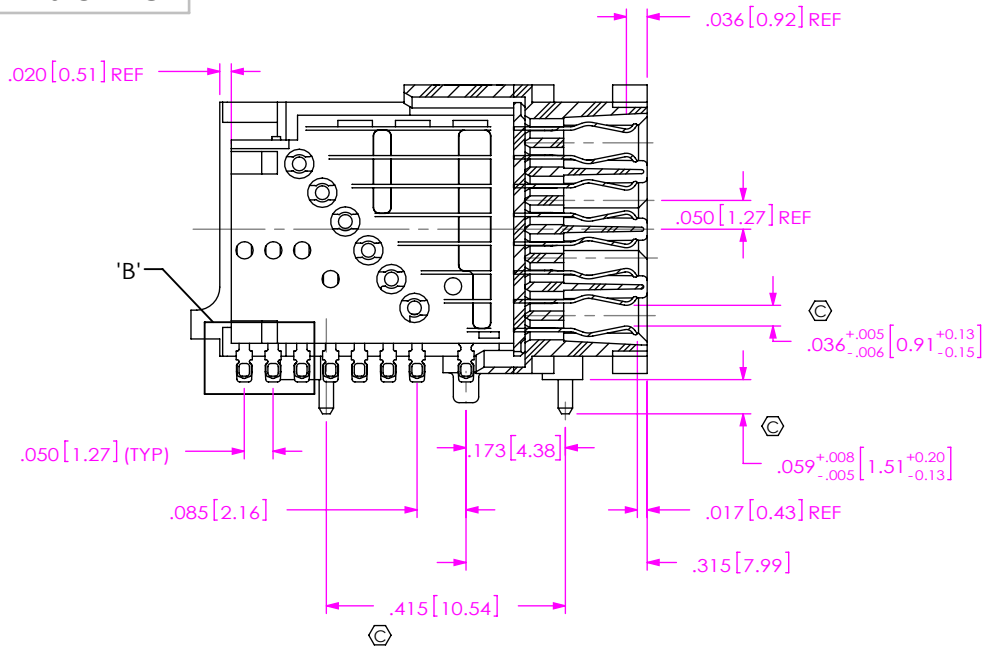


520 PARK EAST BLVD, NEW ALBANY, IN 47150
 PHONE: 812-944-6733 FAX: 812-948-5047
 e-Mail: info@SAMTEC.com code 55322

DO NOT SCALE DRAWING SHEET SCALE: 1:1
 PLATING CONTACTS: CONTACT AREA: .00030 MIN GOLD OVER .00050 MIN NICKEL
 REMAINDER: .000200 REF TIN OVER .000050 MIN NICKEL
 WELD TABS: ENTIRE CONTACT: .000150 TIN OVER .000050 NICKEL
 F:\DWG\MISC\Mktg\ASP-161074-02-MKT.SLDDRW

DESCRIPTION: SEAF-RA
 DWG. NO. ASP-161074-02
 BY: M SOLANO 2/21/2011 SHEET 1 OF 2

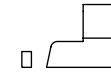
ITEM NO.	PART NUMBER	QUANTITY	MATERIAL
1	NR-SEAF-50-01-RA-08-GP	1.0000	VECTRA 473i, COLOR: BLACK
2	NR-SUB-IMC-242-01-08-S-2	50.000	CONTACT: CuNi ALLOY; WAFER: LCP - COLOR: BLACK
3	WT-28-02-T	4.0000	BRASS ALLOY 260, FULL HARD
4	TR-ASP	.00444	CONDUCTIVE POLYMER
5	SEAX-0001	.01000	LABEL



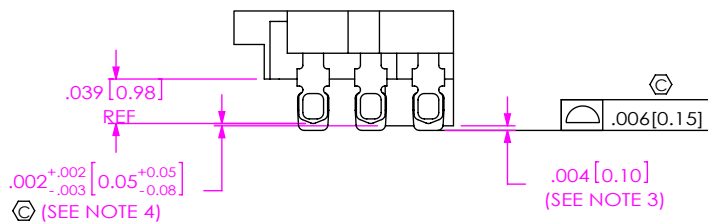
SECTION "A"-"A"
SCALE 3 : 1



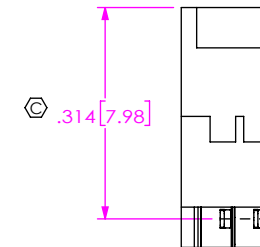
DETAIL 'C'
SCALE 3.5 : 1
(SEE NOTE 5)



DETAIL 'D'
SCALE 3.5 : 1
(SEE NOTE 5)



DETAIL 'B'
SCALE 6 : 1



DETAIL 'E'
SCALE 3.5 : 1

PROPRIETARY NOTE

THIS DOCUMENT CONTAINS CONFIDENTIAL AND PROPRIETARY INFORMATION AND ALL DESIGN, MANUFACTURING, REPRODUCTION, USE, PATENT RIGHTS AND SALES RIGHTS ARE EXPRESSLY RESERVED BY SAMTEC, INC. THIS DOCUMENT SHALL NOT BE DISCLOSED, IN WHOLE OR PART, TO ANY UNAUTHORIZED PERSON OR ENTITY NOR REPRODUCED, TRANSFERRED OR INCORPORATED IN ANY OTHER PROJECT IN ANY MANNER WITHOUT THE EXPRESS WRITTEN CONSENT OF SAMTEC, INC.



520 PARK EAST BLVD, NEW ALBANY, IN 47150
PHONE: 812-944-6733 FAX: 812-948-5047
e-Mail: info@SAMTEC.com code 55322

SHEET SCALE: 2:1

DESCRIPTION: SEAF-RA

DWG. NO. ASP-161074-02

BY: M SOLANO 2/21/2011 SHEET 2 OF 2