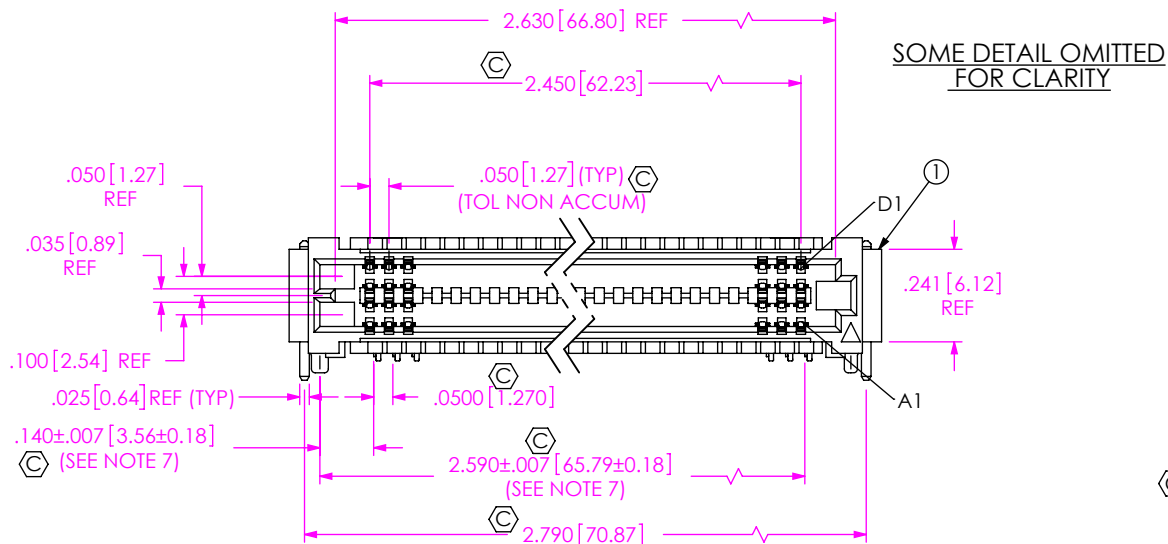
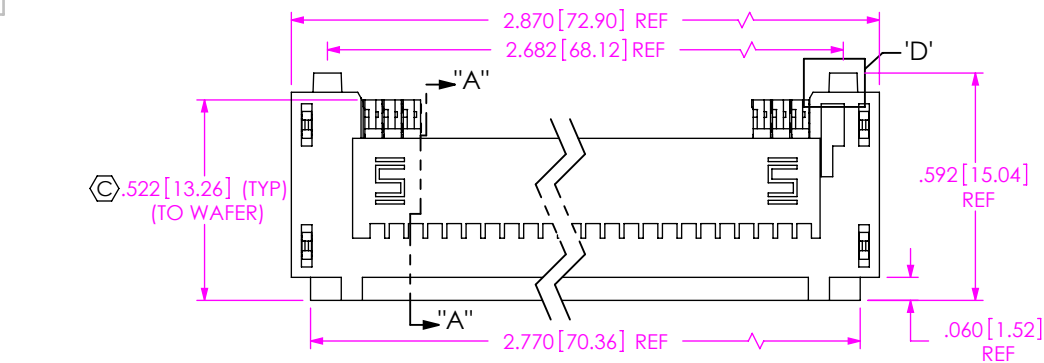


DO NOT SCALE FROM THIS PRINT

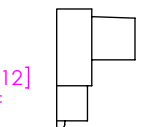
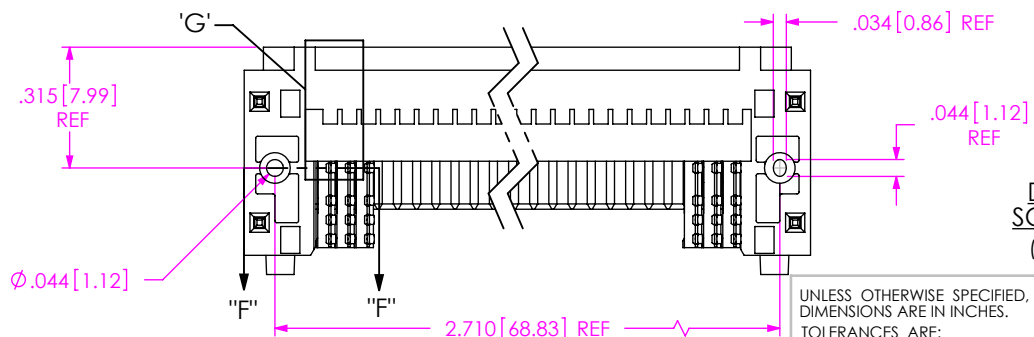
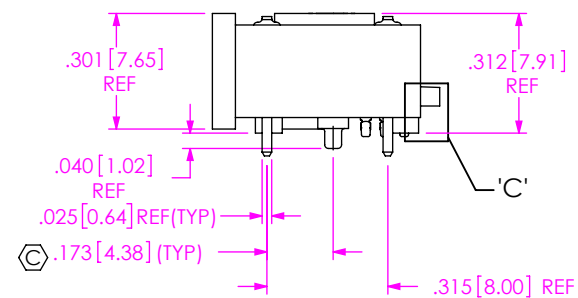
DO NOT UPDATE OR ADD REVISION WITHOUT APPROVAL THROUGH THE STANDARDS GROUP



SOME DETAIL OMITTED FOR CLARITY

NOTES:

- VITA 74 CONNECTOR.
- ⊕ REPRESENTS A CRITICAL DIMENSION.
- MINIMUM PUSH-OUT FORCE: .50 LBS[2.2N].
- INSPECT DIMENSION AT 4 CORNERS OF PART.
- FEATURE REQUIRED FOR VISION INSPECTION.
- A 20~30°C TEMPERATURE DIFFERENCE MAY EXIST BETWEEN THIS HIGH-DENSITY COMPONENT AND THE BOARD SURFACE DURING REFLOW. SAMTEC RECOMMENDS A THERMAL STUDY BE PERFORMED.
- CHECK DIMENSION ON FIRST AND LAST ROW OF TAILS.
- SOME RELAXATION/WARPING OF THE BACK STRAP IS ACCEPTABLE AFTER PROCESSING.
- PARTS TO BE PACKAGED IN TAPE & REEL.
- ORDERS WILL BE PACKAGED ACCORDING TO THE SAMTEC PACKAGING EFFICIENCY STANDARDS (SPES) FOUND ON WWW.SAMTEC.COM
- ATTACH LABEL "SEAX-0001" TO EACH TAPE & REEL PACKAGE.



DETAIL 'C' SCALE 4.5 : 1 (SEE NOTE 5)



DETAIL 'D' SCALE 4.5 : 1 (SEE NOTE 5)

UNLESS OTHERWISE SPECIFIED, DIMENSIONS ARE IN INCHES.
TOLERANCES ARE:
DECIMALS ANGLES
.XX: ±.01[0.3] 2°
.XXX: ±.005[0.13]
.XXXX: ±.0020[0.051]

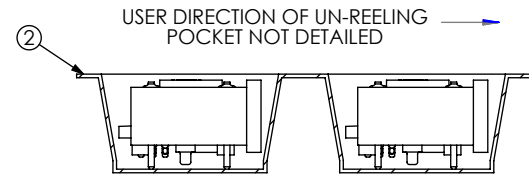
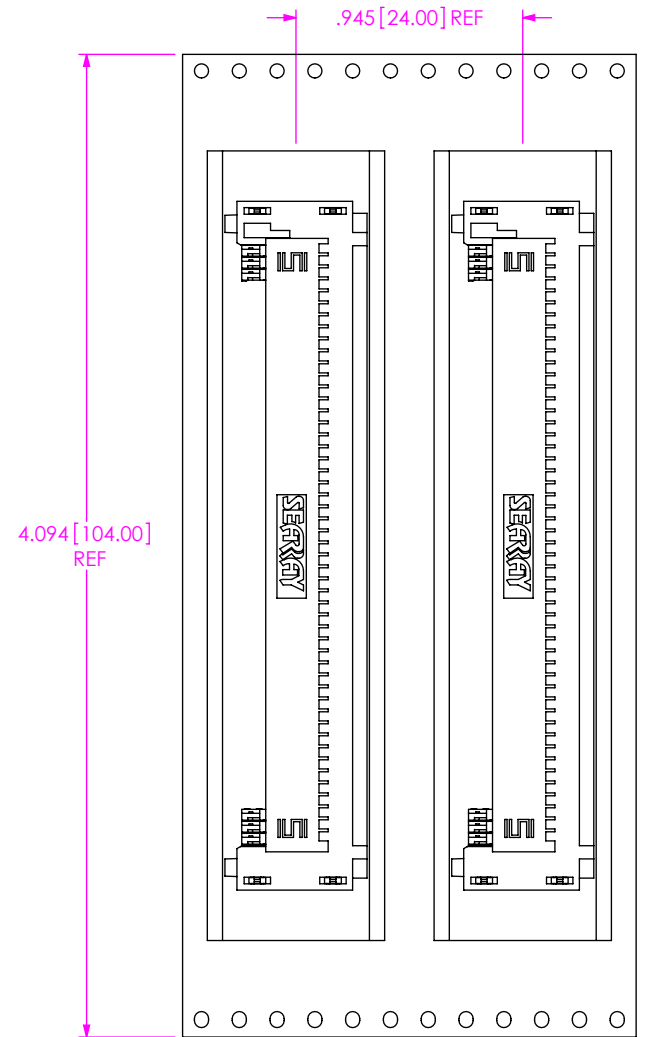
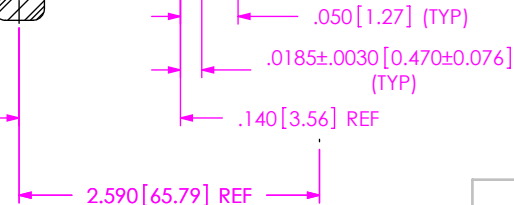
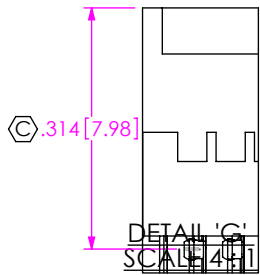
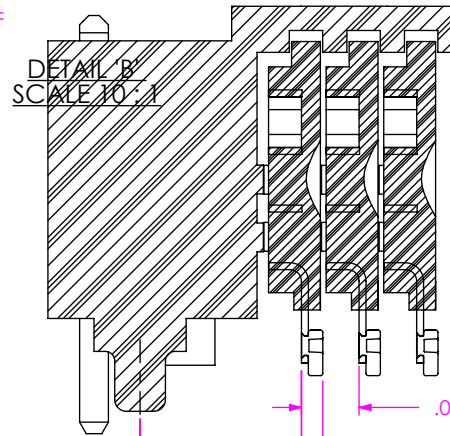
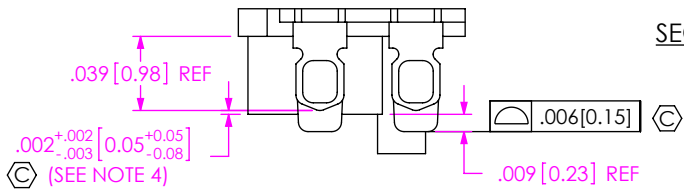
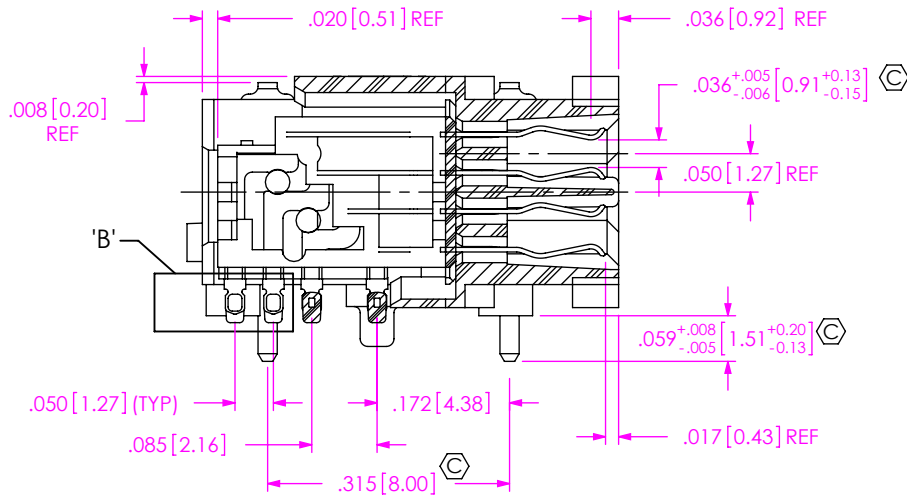
PROPRIETARY NOTE
THIS DOCUMENT CONTAINS CONFIDENTIAL AND PROPRIETARY INFORMATION AND ALL DESIGN, MANUFACTURING, REPRODUCTION, USE, PATENT RIGHTS AND SALES RIGHTS ARE EXPRESSLY RESERVED BY SAMTEC, INC. THIS DOCUMENT SHALL NOT BE DISCLOSED, IN WHOLE OR PART, TO ANY UNAUTHORIZED PERSON OR ENTITY NOR REPRODUCED, TRANSFERRED OR INCORPORATED IN ANY OTHER PROJECT IN ANY MANNER WITHOUT THE EXPRESS WRITTEN CONSENT OF SAMTEC, INC.

DO NOT SCALE DRAWING SHEET SCALE: 2:1
PLATING: CONTACTS: CONTACT AREA: .000010 GOLD OVER .000050 NICKEL
REMAINDER: .000200 TIN OVER .000050 NICKEL
WELD TABS: .000150 TIN OVER .000050 NICKEL
SOLDER COMPOSITION: 95.5% TIN / 3.8 SILVER / 0.7% COPPER CHARGE TAIL
F:\DWG\MISC\MKTG\ASP-161074-03-MKT.SLDDRW

samtec
520 PARK EAST BLVD, NEW ALBANY, IN 47150
PHONE: 812-944-6733 FAX: 812-948-5047
e-Mail info@SAMTEC.com code 53322

DESCRIPTION: VITA 74 SEAF-RA (LEAD FREE)
DWG. NO. ASP-161074-03
BY: J. BROWNING 09/22/2021 SHEET 1 OF 2

ITEM NO.	PART NUMBER	QTY	MATERIAL
1	S-SEAF-50-01-L-04-2-RA-TR	1.0000	LCP, COLOR BLACK/PHOS BRONZE/LEAD FREE SOLDER
2	CT-SEAF072TP	.00444	CONDUCTIVE POLYMER
3	SEAX-0001	.01000	LABEL



PACKAGING VIEW

PROPRIETARY NOTE

THIS DOCUMENT CONTAINS CONFIDENTIAL AND PROPRIETARY INFORMATION AND ALL DESIGN, MANUFACTURING, REPRODUCTION, USE, PATENT RIGHTS AND SALES RIGHTS ARE EXPRESSLY RESERVED BY SAMTEC, INC. THIS DOCUMENT SHALL NOT BE DISCLOSED, IN WHOLE OR PART, TO ANY UNAUTHORIZED PERSON OR ENTITY NOR REPRODUCED, TRANSFERRED OR INCORPORATED IN ANY OTHER PROJECT IN ANY MANNER WITHOUT THE EXPRESS WRITTEN CONSENT OF SAMTEC, INC.



520 PARK EAST BLVD., NEW ALBANY, IN 47150
 PHONE: 812-944-6733 FAX: 812-948-5047
 e-Mail: info@SAMTEC.com code 55322

SHEET SCALE: 1:1

DESCRIPTION:
 VITA 74 SEAF-RA (LEAD FREE)

DWG. NO.
 ASP-161074-03