

1. CUSTOM JSOM FOR VITA MEZZANINE APPLICATIONS.
2. REPRESENTS A CRITICAL DIMENSION.
3. STANDOFFS TO BE USED WITH 1.50[.059]MIN THICK BOARDS.
4. STANDOFFS ARE DESIGNED 0.15MM LONGER THAN CONNECTOR STACK HEIGHTS TO ALLOW FOR PROCESSING VARIABLES.
5. TORQUE TO 2.5 - 3.5 IN*lbs TO SECURE FASTENER IN A STATIC ENVIRONMENT ASSUMING RECOMMENDED BOARD TO BOARD DISTANCES ARE ACHIEVED WITHOUT DAMAGE TO THE PCB, HARDWARE OR OTHER COMPONENTS.
6. PLACE COMPONENTS IN SEPARATE BAGS WITH LABEL ON EACH BAG SHOWING COMPONENT CALLOUT ONLY.

BOARD STACK HEIGHT

- 01: 8.650 (WITH THREAD LOCKING SCREW)
- 02: 10.150 (WITH THREAD LOCKING SCREW)
- 03: 12.150 (WITH THREAD LOCKING SCREW)
- 04: 8.650 (WITHOUT THREAD LOCKING SCREW)
- 05: 10.150 (WITHOUT THREAD LOCKING SCREW)
- 06: 12.150 (WITHOUT THREAD LOCKING SCREW)
- 07: 10.150 (WITHOUT THREAD LOCKING SCREW)

DO NOT
SCALE FROM
THIS PRINT

BY SIGNING THIS DOCUMENT YOU ARE ACCEPTING THE CONDITIONS SET WITHIN. YOUR REQUIREMENTS MUST BE LISTED WITHIN THIS DRAWING. WHERE NO DIRECTION FROM THE CUSTOMER IS IDENTIFIED SAMTEC'S PROCESS REQUIREMENTS WILL BE USED.

DATE:

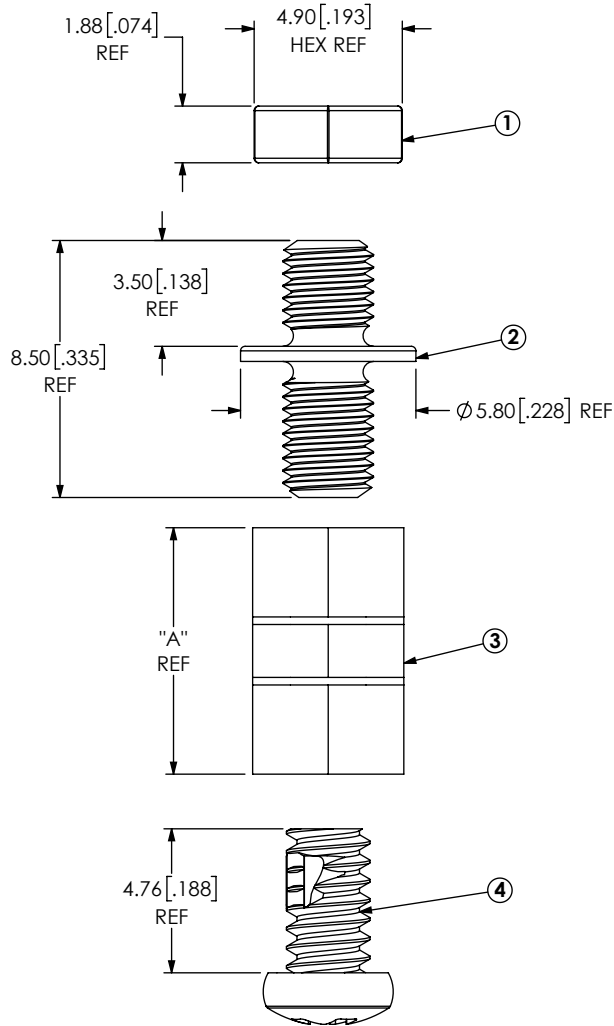
COMPANY:

CUSTOMER SIGNATURE:

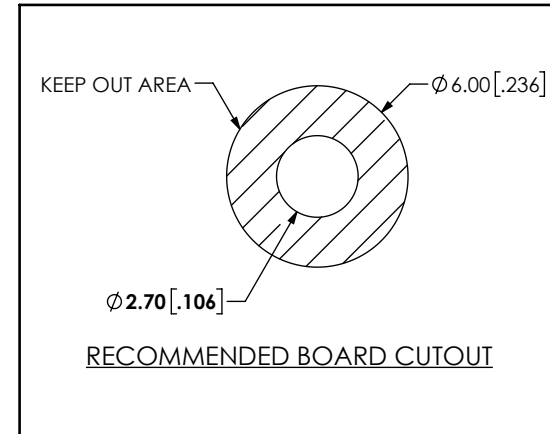
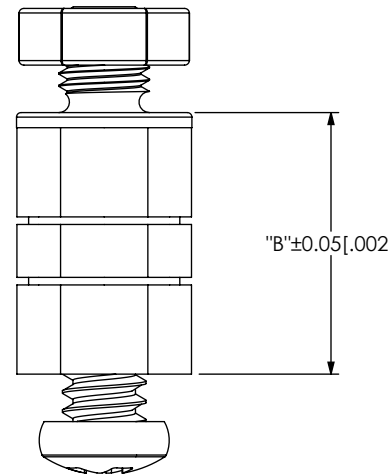
PRINTED NAME:

PHONE No.:

EXCEPTIONS:



LEAD STYLE	ASP-198473-XX-B	ASP-198475-XX-C	"A"	"B"
-01	ASP-198473-01-B	ASP-198475-01-C	8.15	8.65
-02	ASP-198473-02-B	ASP-198475-01-C	9.65	10.15
-03	ASP-198473-03-B	ASP-198475-01-C	11.65	12.15
-04	ASP-198473-01-B	ASP-198475-02-C	8.15	8.65
-05	ASP-198473-02-B	ASP-198475-02-C	9.65	10.15
-06	ASP-198473-03-B	ASP-198475-02-C	11.65	12.15
-07	ASP-198473-02-B	N/A	9.65	10.15



RECOMMENDED BOARD CUTOUT

UNLESS OTHERWISE SPECIFIED, DIMENSIONS ARE IN MILLIMETERS.
TOLERANCES ARE:
DECIMALS ANGLES
X.X: ±0.3 [.01] 2°
X.XX: ±0.13 [.005]
X.XXX: ±0.051 [.0020]

PROPRIETARY NOTE
THIS DOCUMENT CONTAINS CONFIDENTIAL AND PROPRIETARY INFORMATION AND ALL DESIGN, MANUFACTURING, REPRODUCTION, USE, PATENT RIGHTS AND SALES RIGHTS ARE EXPRESSLY RESERVED BY SAMTEC, INC. THIS DOCUMENT SHALL NOT BE DISCLOSED, IN WHOLE OR PART, TO ANY UNAUTHORIZED PERSON OR ENTITY NOR REPRODUCED, TRANSFERRED OR INCORPORATED IN ANY OTHER PROJECT IN ANY MANNER WITHOUT THE EXPRESS WRITTEN CONSENT OF SAMTEC, INC.



520 PARK EAST BLVD, NEW ALBANY, IN 47150
PHONE: 812-944-6733 FAX: 812-948-5047
e-Mail: info@SAMTEC.com code 53322

DO NOT SCALE DRAWING

SHEET SCALE: 4:1

DESCRIPTION:
M2.5 MICRO JACK SCREW STAND-OFF

DWG. NO.
ASP-198471-XX

BY: JESSIE W 3/17/2017 SHEET 1 OF 1

ITEM NO.	PART NUMBER	QUANTITY	MATERIAL
1	ASP-198474-01-C	1.0000	303 STAINLESS STEEL
2	ASP-198472-01-B	1.0000	303 STAINLESS STEEL
3	ASP-198473-XX-B (SEE TABLE 1)	1.0000	303 STAINLESS STEEL
4	ASP-198475-XX-C (SEE TABLE 1)	1.0000	303 STAINLESS STEEL