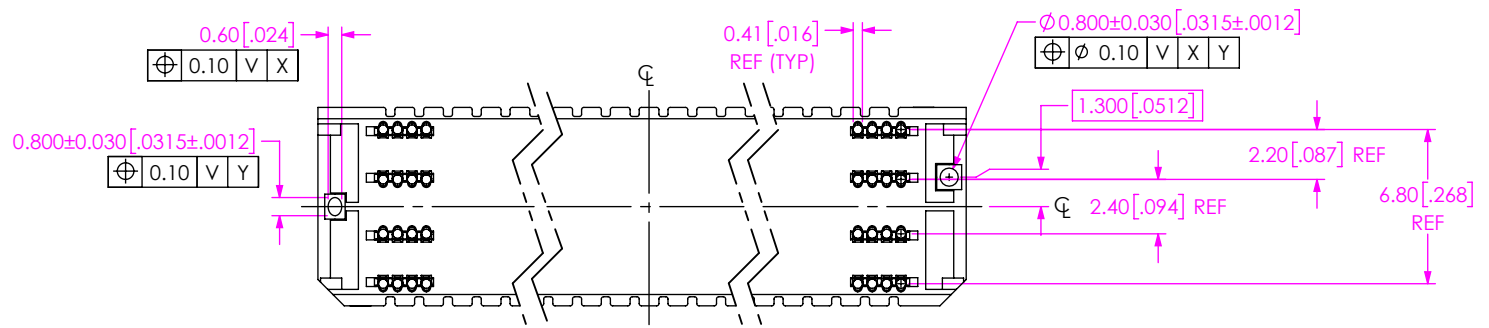
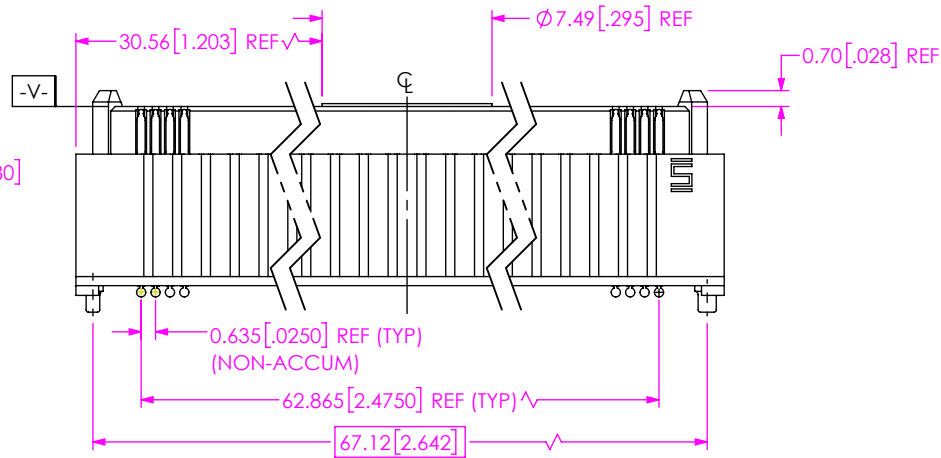
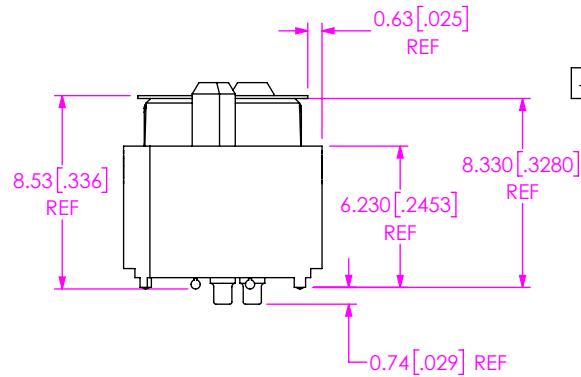
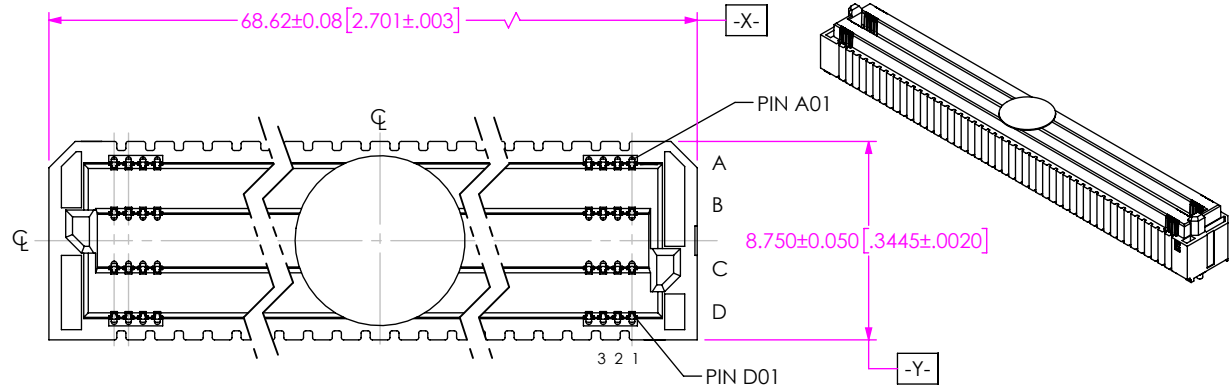


NOTES:
 1. MINIMUM PUSHOUT FORCE: 1.2N
 2. PARTS TO BE PACKAGED IN TAPE & REEL.

DO NOT SCALE FROM THIS PRINT

DESIGNED & DIMENSIONED IN MILLIMETERS [INCHES]

SOME CENTER FEATURES NOT SHOWN FOR CLARITY



UNLESS OTHERWISE SPECIFIED, DIMENSIONS ARE IN MILLIMETERS [INCHES].

PROPRIETARY NOTE
 THIS DOCUMENT CONTAINS CONFIDENTIAL AND PROPRIETARY INFORMATION AND ALL DESIGN, MANUFACTURING, REPRODUCTION, USE, PATENT RIGHTS AND SALES RIGHTS ARE EXPRESSLY RESERVED BY SAMTEC, INC. THIS DOCUMENT SHALL NOT BE DISCLOSED, IN WHOLE OR PART, TO ANY UNAUTHORIZED PERSON OR ENTITY NOR REPRODUCED, TRANSFERRED OR INCORPORATED IN ANY OTHER PROJECT IN ANY MANNER WITHOUT THE EXPRESS WRITTEN CONSENT OF SAMTEC, INC.



520 PARK EAST BLVD, NEW ALBANY, IN 47150
 PHONE: 812-944-6733 FAX: 812-948-5047
 e-Mail info@SAMTEC.com code 55322

DO NOT SCALE DRAWING SHEET SCALE: 3:1

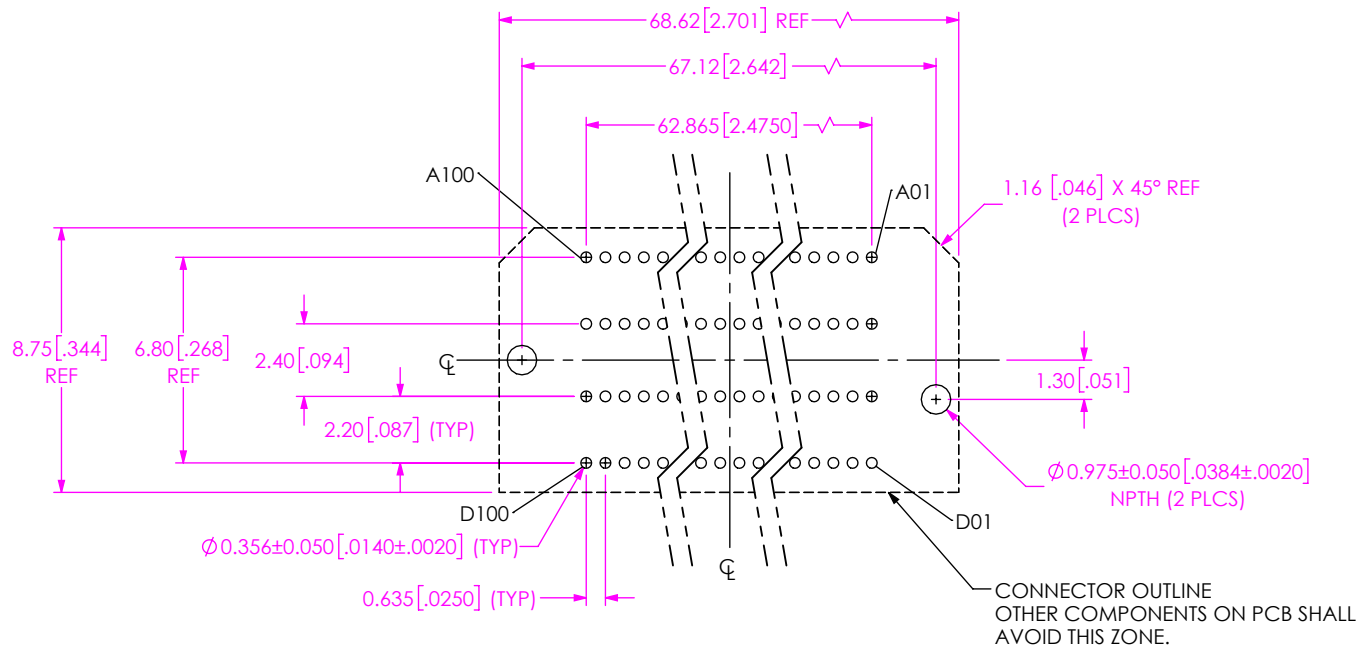
MATERIAL:
 INSULATOR: LCP, COLOR: NATURAL
 TERMINAL: COPPER ALLOY
 PLATING:
 CONTACT AREA: .00010" GOLD OVER .000050" NICKEL
 REMAINDER: .000200" REF TIN OVER .000050" NICKEL

c:\enterprise\ault\DWG\MISC\MKTG\ASP-209948-01-MKT.SLDDRW

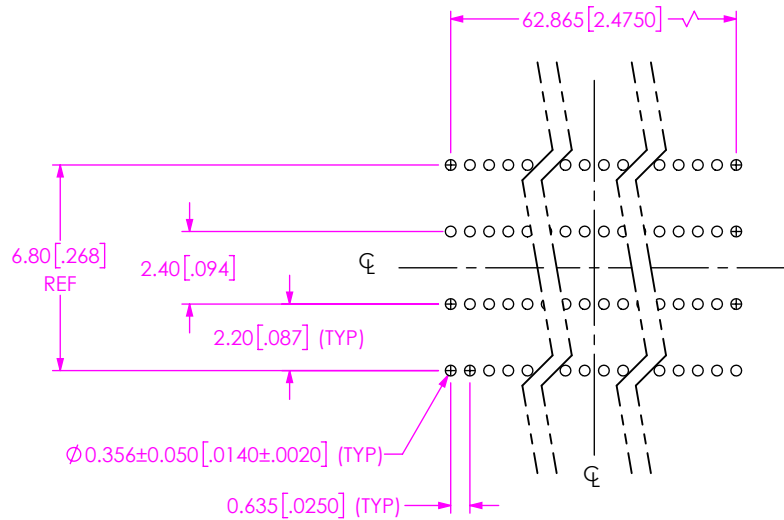
DESCRIPTION:
 CUSTOM COM HPC MALE ASSEMBLY

DWG. NO.
 ASP-209948-01

BY: J. BROWNING 01/16/2019 SHEET 1 OF 2



RECOMMENDED PCB LAYOUT
ALL DIMENSIONS SYMMETRIC ABOUT CENTERLINE



RECOMMENDED STENCIL LAYOUT
ALL DIMENSIONS SYMMETRIC ABOUT CENTERLINE
(STENCIL TO BE 0.125 [0.0050] THICK)

<p>PROPRIETARY NOTE</p> <p>THIS DOCUMENT CONTAINS CONFIDENTIAL AND PROPRIETARY INFORMATION AND ALL DESIGN, MANUFACTURING, REPRODUCTION, USE, PATENT RIGHTS AND SALES RIGHTS ARE EXPRESSLY RESERVED BY SAMTEC, INC. THIS DOCUMENT SHALL NOT BE DISCLOSED, IN WHOLE OR PART, TO ANY UNAUTHORIZED PERSON OR ENTITY NOR REPRODUCED, TRANSFERRED OR INCORPORATED IN ANY OTHER PROJECT IN ANY MANNER WITHOUT THE EXPRESS WRITTEN CONSENT OF SAMTEC, INC.</p>	<p>samtec</p> <p>520 PARK EAST BLVD., NEW ALBANY, IN 47150 PHONE: 812-944-6733 FAX: 812-948-5047 e-Mail: info@SAMTEC.com code 55322</p>
	<p>DESCRIPTION: CUSTOM COM HPC MALE ASSEMBLY</p>
<p>SHEET SCALE: 1:1</p>	<p>DWG. NO. ASP-209948-01</p>
<p>BY: J. BROWNING 01/16/2019 SHEET 2 OF 2</p>	