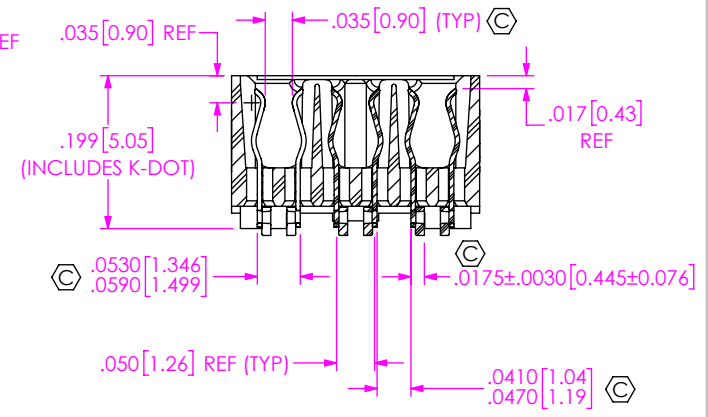
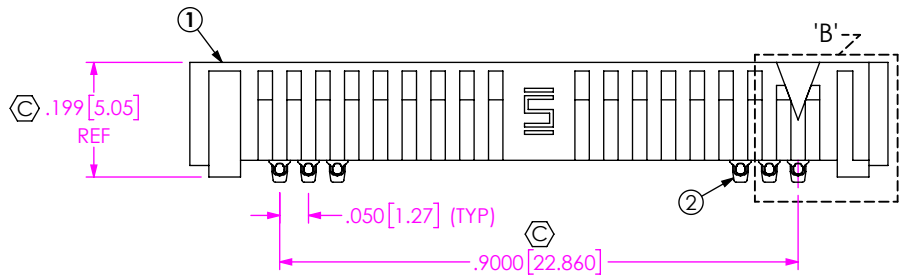
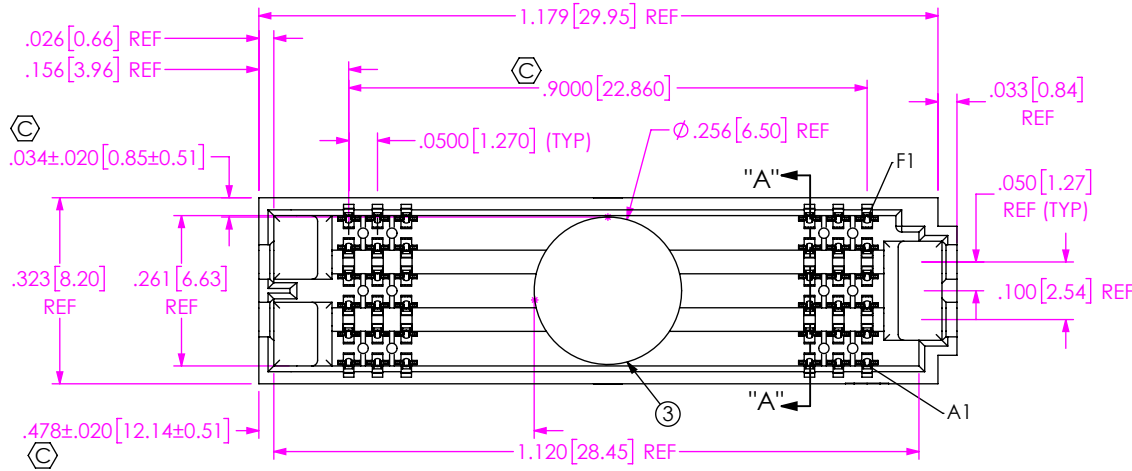
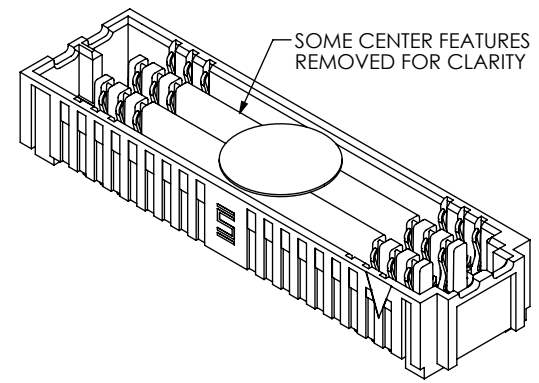
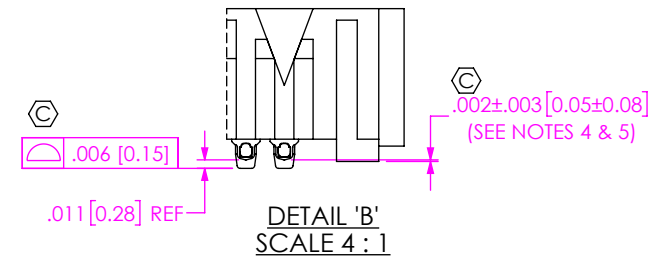
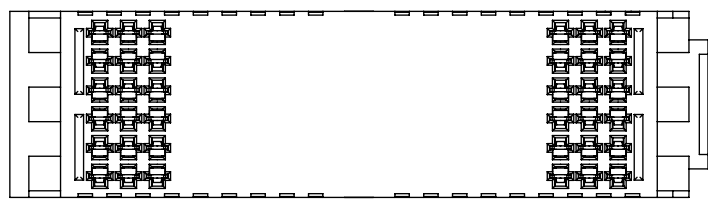


DO NOT SCALE FROM THIS PRINT

- NOTES:
1. VITA 88. CUSTOM BODY WITH NO ALIGNMENT PINS, NOT AVAILABLE AS STANDARD.
 2. $\text{\textcircled{C}}$ REPRESENTS A CRITICAL DIMENSION.
 3. MINIMUM PUSHOUT FORCE: 0.50 LBS.
 4. DIMENSION MUST BE MEASURED USING INSPECTION FIXTURE AT-1817-836-2, USE CO-AU-WI-2003-M FOR PROCESS.
 5. MEASURED FIRST & LAST POSITIONS ONLY, ALL ROWS.
 6. NON-FUNCTIONAL VOIDING IN PLASTIC BODY TO BE AT SAMTEC'S DISCRETION.
 7. PARTS TO BE PACKAGED IN TAPE AND REEL.
ATTACH LABEL "SEAX-0001" TO EACH TAPE & REEL PACKAGE.



SECTION "A"-"A"
SCALE 4 : 1



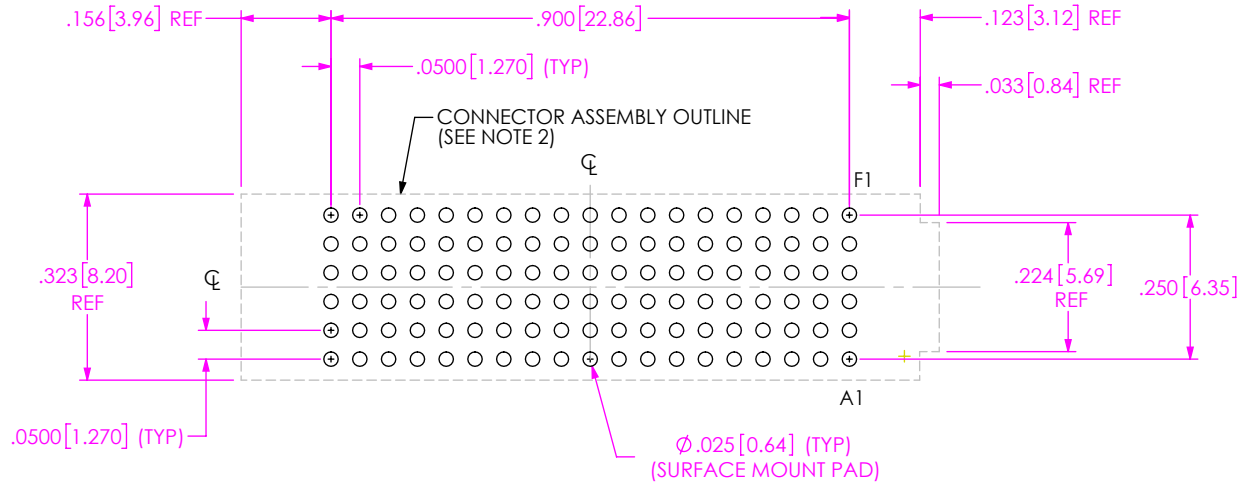
DETAIL 'B'
SCALE 4 : 1

BY SIGNING THIS DOCUMENT YOU ARE ACCEPTING THE CONDITIONS SET WITHIN. YOUR REQUIREMENTS MUST BE LISTED WITHIN THIS DRAWING. WHERE NO DIRECTION FROM THE CUSTOMER IS IDENTIFIED SAMTEC'S PROCESS REQUIREMENTS WILL BE USED.

DATE: _____
 COMPANY: _____
 CUSTOMER SIGNATURE: _____
 PRINTED NAME: _____
 PHONE NO.: _____
 EXCEPTIONS: _____

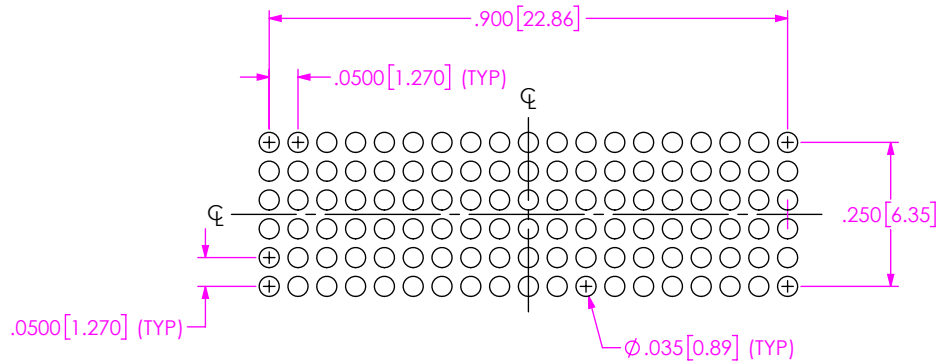
UNLESS OTHERWISE SPECIFIED, DIMENSIONS ARE IN INCHES. TOLERANCES ARE: DECIMALS ANGLES .XX: ±.01 [0.3] .XXX: ±.005 [0.13] .XXXX: ±.0020 [0.051]	PROPRIETARY NOTE THIS DOCUMENT CONTAINS CONFIDENTIAL AND PROPRIETARY INFORMATION AND ALL DESIGN, MANUFACTURING, REPRODUCTION, USE, PATENT RIGHTS AND SALES RIGHTS ARE EXPRESSLY RESERVED BY SAMTEC, INC. THIS DOCUMENT SHALL NOT BE DISCLOSED, IN WHOLE OR PART, TO ANY UNAUTHORIZED PERSON OR ENTITY NOR REPRODUCED, TRANSFERRED OR INCORPORATED IN ANY OTHER PROJECT IN ANY MANNER WITHOUT THE EXPRESS WRITTEN CONSENT OF SAMTEC, INC.	520 PARK EAST BLVD, NEW ALBANY, IN 47150 PHONE: 812-944-6733 FAX: 812-948-5047 e-Mail: info@SAMTEC.com code 53322
PLATING: CONTACT AREA: .000030 GOLD OVER .000100 NICKEL REMAINDER: .000200 TIN/LEAD (90/10) OVER .000050 NICKEL SOLDER COMPOSITION: 63% TIN / 37% LEAD	DESCRIPTION: VITA 88 MODIFIED SEAF ASM 19 POS, 6 ROW	DWG. NO. ASP-212942-03
c:\enterprise\aut\DWG\MISC\MKTG\ASP-212942-03-MKT.SLDDRW	BY: T BEHAGG 09/06/2019 SHEET 1 OF 2	

ITEM NO.	PART NUMBER	QUANTITY	MATERIAL
1	ASP-213618-01-B	1.0000	LCP, COLOR: BLACK
2	NEW-SUB-C-209-05.0-STL-1	114.00	BeCu/LEADED SOLDER
3	K-DOT-.256-.375-.005	1.0000	POLYIMIDE FILM
4	CT-ASP5762MS	.00250	CONDUCTIVE POLYMER



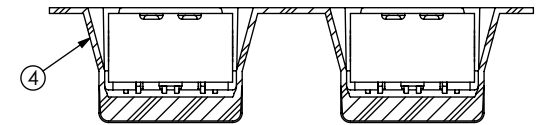
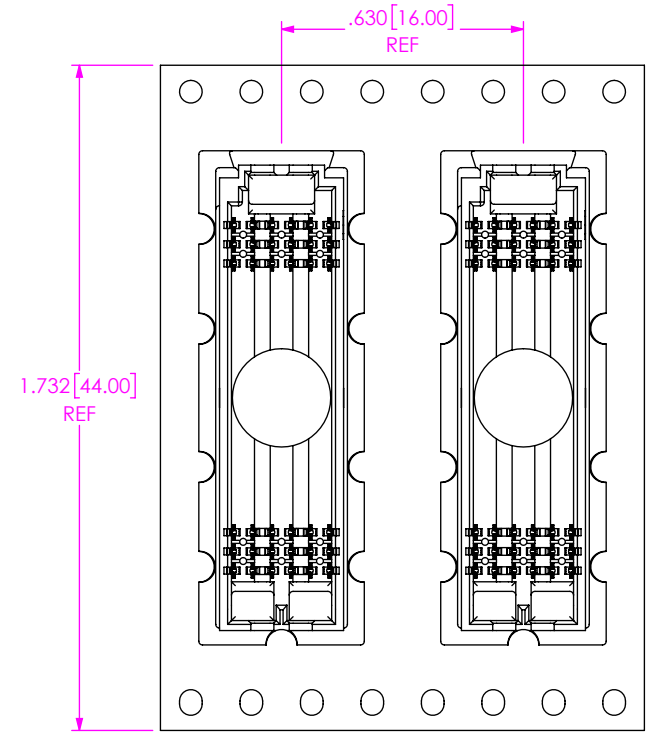
RECOMMENDED PCB LAYOUT

- NOTES:
 1. ALL DIMENSIONS ARE SYMMETRIC ABOUT THE CENTERLINE.
 2. CONNECTOR ENVELOPE DIMENSIONS, OTHER COMPONENTS PLACED ON PCB SHALL AVOID THIS ZONE.



RECOMMENDED STENCIL LAYOUT
 (ALL DIMENSIONS ARE SYMMETRIC ABOUT THE CENTERLINE.)

NOTE:
 STENCIL TO BE .0060 [0.152] THICK.



PACKAGING VIEW

PROPRIETARY NOTE

THIS DOCUMENT CONTAINS CONFIDENTIAL AND PROPRIETARY INFORMATION AND ALL DESIGN, MANUFACTURING, REPRODUCTION, USE, PATENT RIGHTS AND SALES RIGHTS ARE EXPRESSLY RESERVED BY SAMTEC, INC. THIS DOCUMENT SHALL NOT BE DISCLOSED, IN WHOLE OR PART, TO ANY UNAUTHORIZED PERSON OR ENTITY NOR REPRODUCED, TRANSFERRED OR INCORPORATED IN ANY OTHER PROJECT IN ANY MANNER WITHOUT THE EXPRESS WRITTEN CONSENT OF SAMTEC, INC.



520 PARK EAST BLVD, NEW ALBANY, IN 47150
 PHONE: 812-944-6733 FAX: 812-948-5047
 e-Mail info@SAMTEC.com code 53322

SHEET SCALE: 3:1

DESCRIPTION:
 VITA 88 MODIFIED SEAF ASM 19 POS, 6 ROW

DWG. NO.
ASP-212942-03

BY:T BEHAGG 09/06/2019 SHEET 2 OF 2