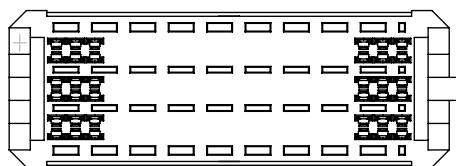
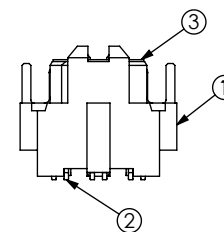
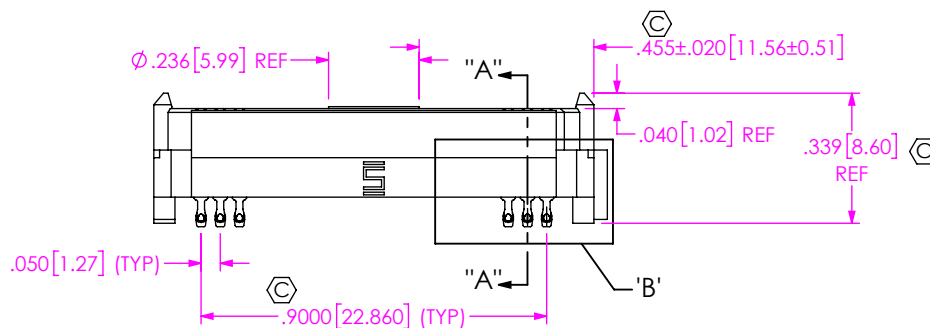
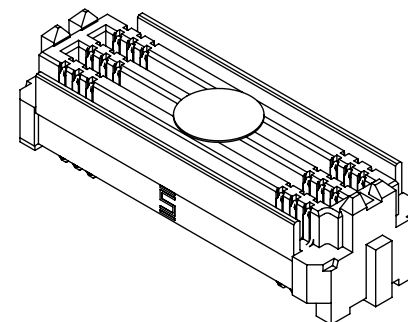
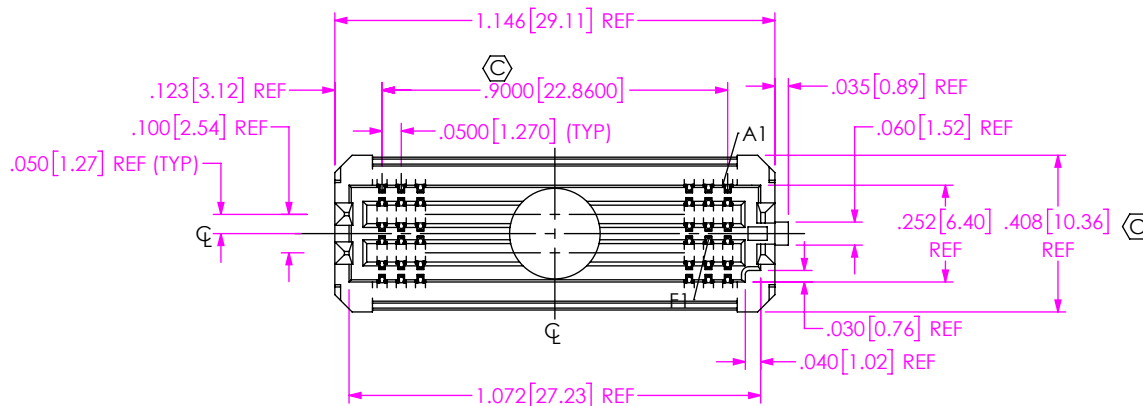


DO NOT SCALE FROM THIS PRINT

- NOTES:
- VITA 88 -19 POSITION WITH -.05.0 BODY HEIGHT NOT AVAILABLE AS STANDARD.
 - ⊕ REPRESENTS A CRITICAL DIMENSION.
 - MINIMUM PUSHOUT FORCE: .50 LBS
 - DIMENSION MUST BE MEASURED USING INSPECTION FIXTURE AT-1817-836-2. USE CO-AU-WI-2003-M FOR PROCESS.
 - MEASURED FIRST & LAST POSITIONS ONLY, ALL ROWS.
 - PARTS TO BE PACKAGED IN TAPE & REEL.
ATTACH LABEL "SEAX-0001" TO EACH TAPE & REEL PACKAGE.
 - ORDERS WILL BE PACKAGED ACCORDING TO THE SAMTEC PACKAGING EFFICIENCY STANDARDS (SPES) FOUND ON WWW.SAMTEC.COM.
 - ATTACH LABEL -4 X 2 TO EACH REEL.

SOME CENTER FEATURES REMOVED FOR CLARITY



UNLESS OTHERWISE SPECIFIED, DIMENSIONS ARE IN INCHES.

TOLERANCES ARE:

DECIMALS ANGLES
 .XX: ±.01 [0.3] 2°
 .XXX: ±.005 [0.13]
 .XXXX: ±.0020 [0.051]

PROPRIETARY NOTE
 * THIS DOCUMENT CONTAINS CONFIDENTIAL AND PROPRIETARY INFORMATION AND ALL DESIGN, MANUFACTURING, REPRODUCTION, USE, PATENT RIGHTS AND SALES RIGHTS ARE EXPRESSLY RESERVED BY SAMTEC, INC. THIS DOCUMENT SHALL NOT BE DISCLOSED, IN WHOLE OR PART, TO ANY UNAUTHORIZED PERSON OR ENTITY NOR REPRODUCED, TRANSFERRED OR INCORPORATED IN ANY OTHER PROJECT IN ANY MANNER WITHOUT THE EXPRESS WRITTEN CONSENT OF SAMTEC, INC.

DO NOT SCALE DRAWING SHEET SCALE: 2:1

PLATING:
 CONTACT AREA: .000030 GOLD OVER .000100 NICKEL
 REMAINDER: .000200 TIN/LEAD (90/10) OVER .000050 NICKEL
 SOLDER COMPOSITION: 63% TIN / 37% LEAD CHARGE TAIL

F:\DWG\MISC\MKTG\ASP-212953-03-MKT.SLDRWR



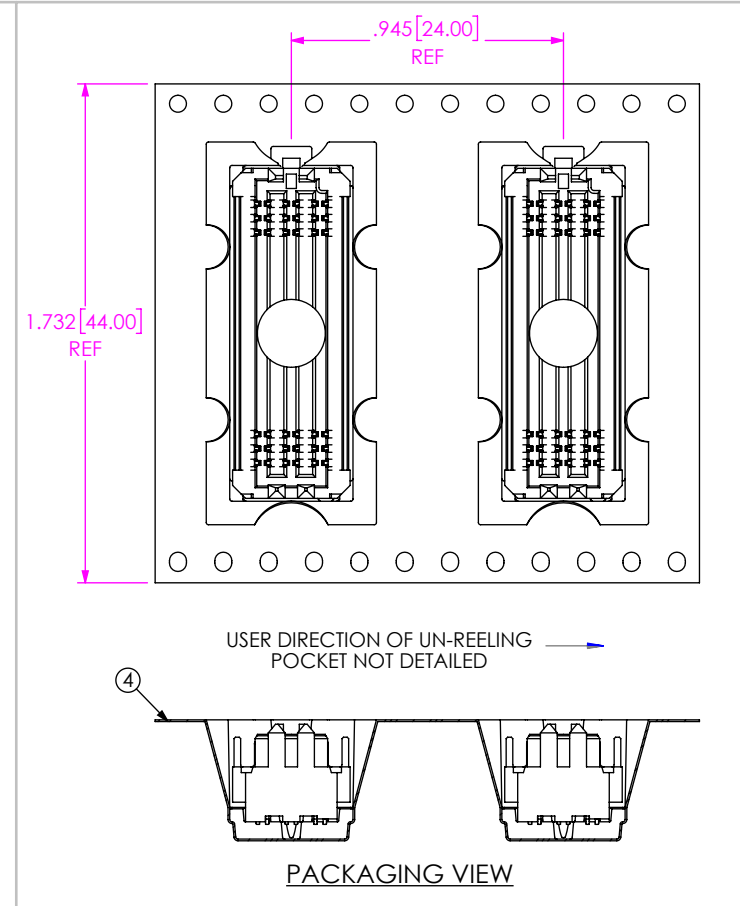
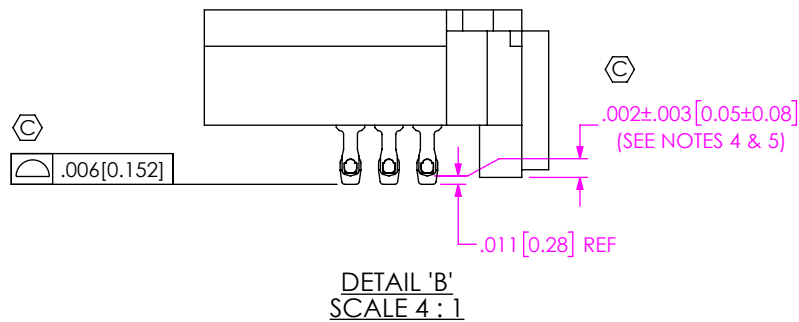
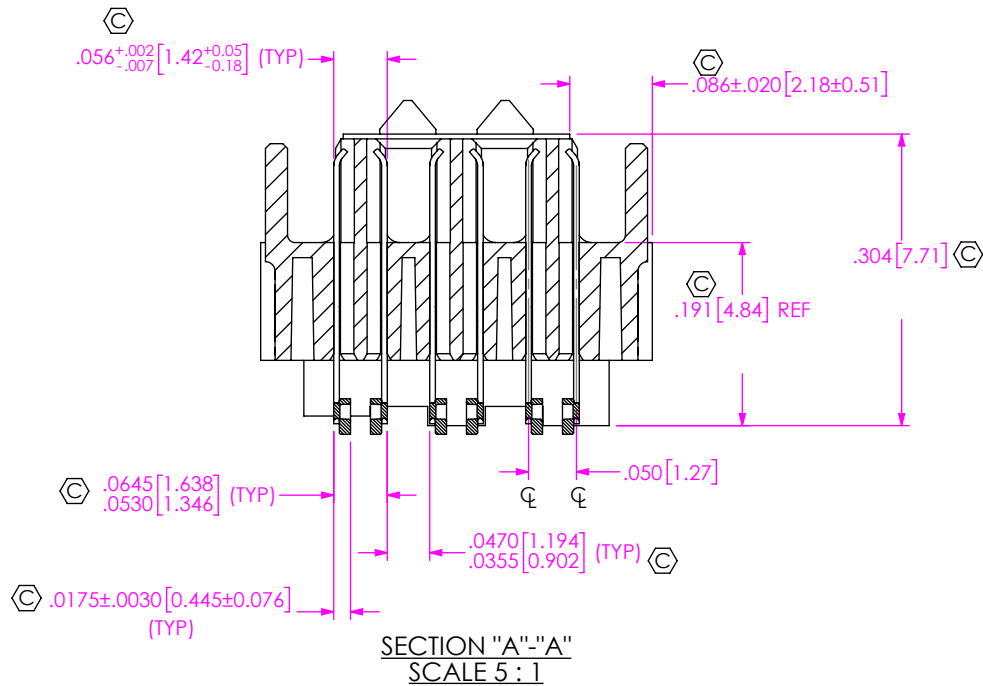
520 PARK EAST BLVD, NEW ALBANY, IN 47150
 PHONE: 812-944-6733 FAX: 812-948-5047
 e-Mail: info@SAMTEC.com code: 55322

DESCRIPTION:
 VITA 88 MODIFIED 19 POS, 6 ROW .050 TERM ARRAY ASM

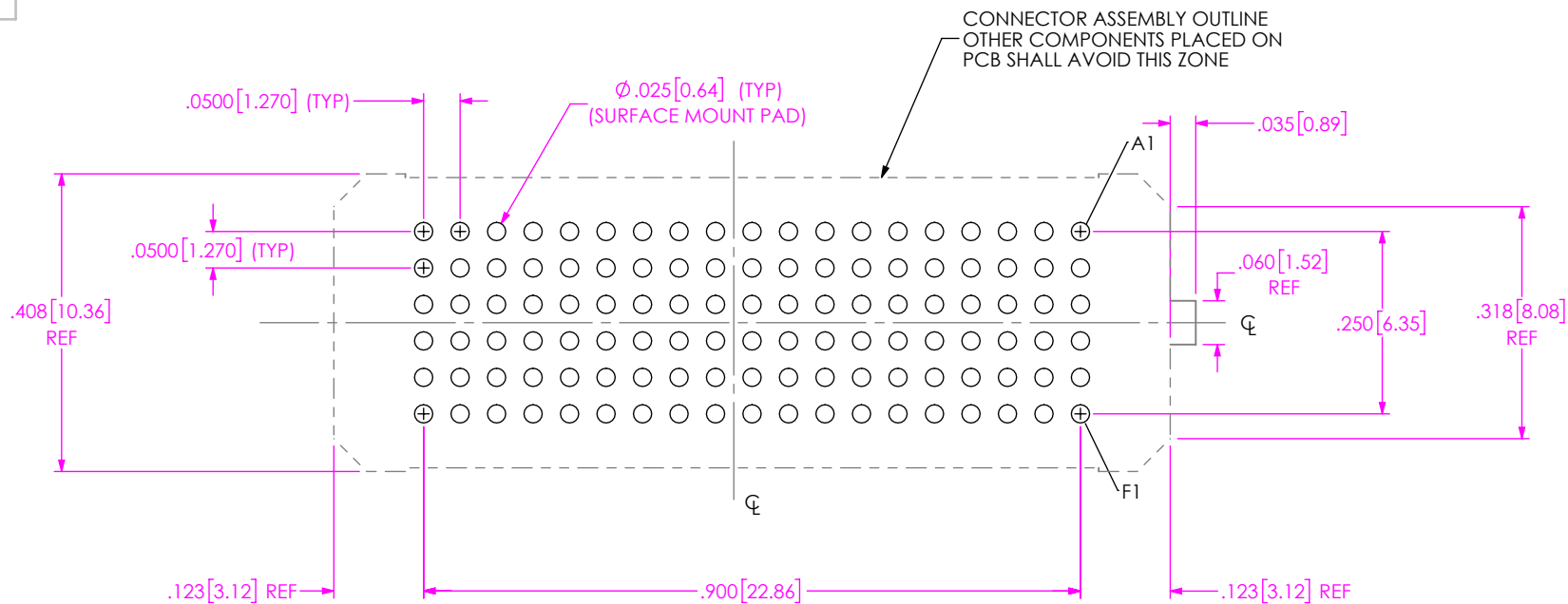
DWG. NO. **ASP-212953-03**

BY: J. BROWNING 05/07/2020 SHEET 1 OF 3

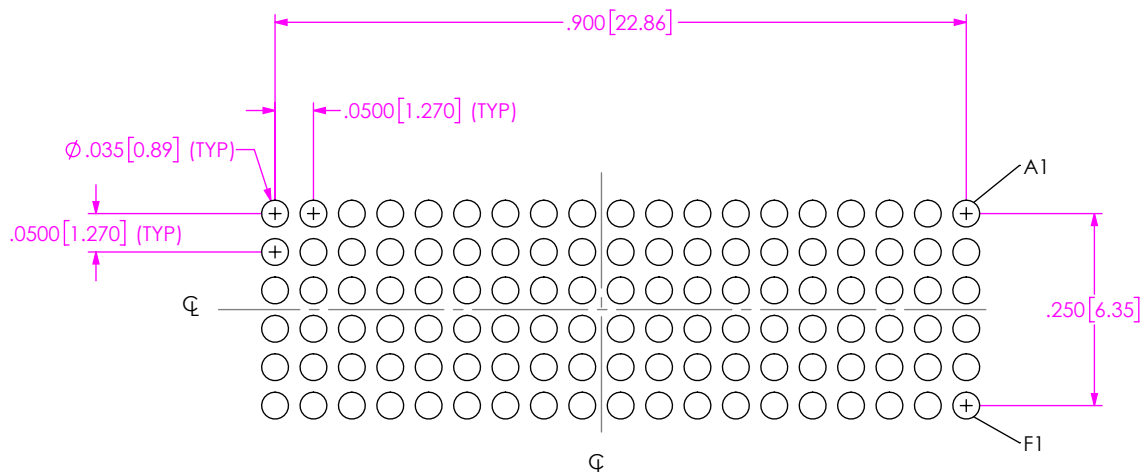
ITEM NO.	PART NUMBER	QUANTITY	MATERIAL
1	ASP-213642-01-B	1.0000	LCP, COLOR: BLACK
2	NEW-SUB-T-1M36-05.0-STL-1	114.00	BeCu/LEADED SOLDER
3	K-DOT-.236-.343-.005	1.0000	POLYIMIDE FILM
4	CT-ASP5898MS	.00571	CONDUCTIVE POLYMER



<p>PROPRIETARY NOTE</p> <p>THIS DOCUMENT CONTAINS CONFIDENTIAL AND PROPRIETARY INFORMATION AND ALL DESIGN, MANUFACTURING, REPRODUCTION, USE, PATENT RIGHTS AND SALES RIGHTS ARE EXPRESSLY RESERVED BY SAMTEC, INC. THIS DOCUMENT SHALL NOT BE DISCLOSED, IN WHOLE OR PART, TO ANY UNAUTHORIZED PERSON OR ENTITY NOR REPRODUCED, TRANSFERRED OR INCORPORATED IN ANY OTHER PROJECT IN ANY MANNER WITHOUT THE EXPRESS WRITTEN CONSENT OF SAMTEC, INC.</p>	<p>samtec</p> <p>520 PARK EAST BLVD., NEW ALBANY, IN 47150 PHONE: 812-944-6733 FAX: 812-948-5047 e-Mail: info@SAMTEC.com code: 55322</p>
	<p>DESCRIPTION: VITA 88 MODIFIED 19 POS, 6 ROW .050 TERM ARRAY ASM</p>
	<p>DWG. NO. ASP-212953-03</p>
<p>SHEET SCALE: 2:1</p>	<p>BY: J. BROWNING 05/07/2020 SHEET 2 OF 3</p>



RECOMMENDED PCB LAYOUT
(ALL DIMENSIONS ARE SYMMETRIC ABOUT THE CENTERLINE)



RECOMMENDED STENCIL LAYOUT
(ALL DIMENSIONS ARE SYMMETRIC ABOUT THE CENTERLINE)
STENCIL TO BE .0060 [0.152] THICK

PROPRIETARY NOTE
THIS DOCUMENT CONTAINS CONFIDENTIAL AND PROPRIETARY INFORMATION AND ALL DESIGN, MANUFACTURING, REPRODUCTION, USE, PATENT RIGHTS AND SALES RIGHTS ARE EXPRESSLY RESERVED BY SAMTEC, INC. THIS DOCUMENT SHALL NOT BE DISCLOSED, IN WHOLE OR PART, TO ANY UNAUTHORIZED PERSON OR ENTITY NOR REPRODUCED, TRANSFERRED OR INCORPORATED IN ANY OTHER PROJECT IN ANY MANNER WITHOUT THE EXPRESS WRITTEN CONSENT OF SAMTEC, INC.



520 PARK EAST BLVD, NEW ALBANY, IN 47150
PHONE: 812-944-6733 FAX: 812-948-5047
e-Mail: info@SAMTEC.com code: 55322

SHEET SCALE: 2:1

DESCRIPTION:
VITA 88 MODIFIED 19 POS, 6 ROW .050 TERM ARRAY ASM
DWG. NO. **ASP-212953-03**

BY: J. BROWNING 05/07/2020 SHEET 3 OF 3