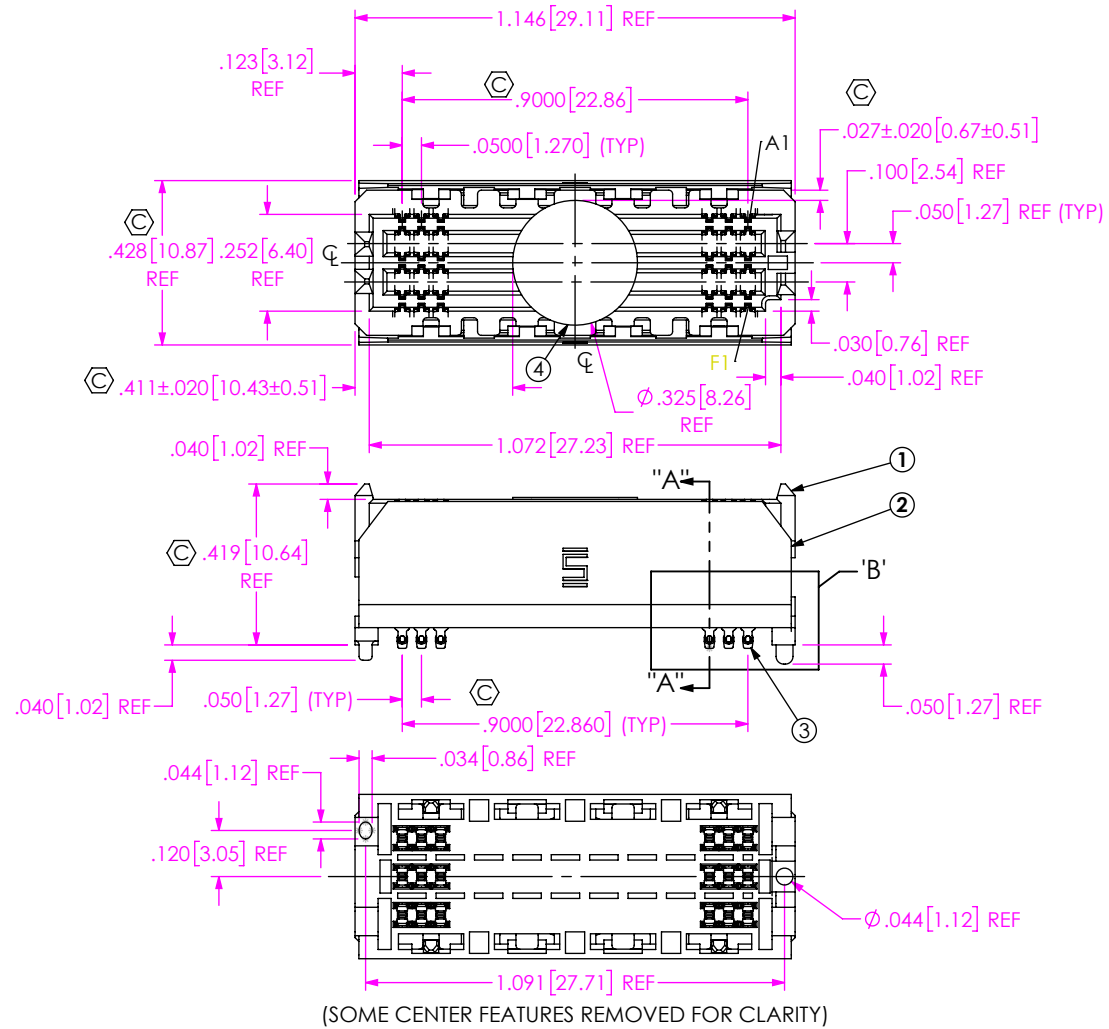
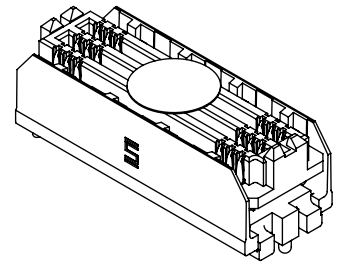


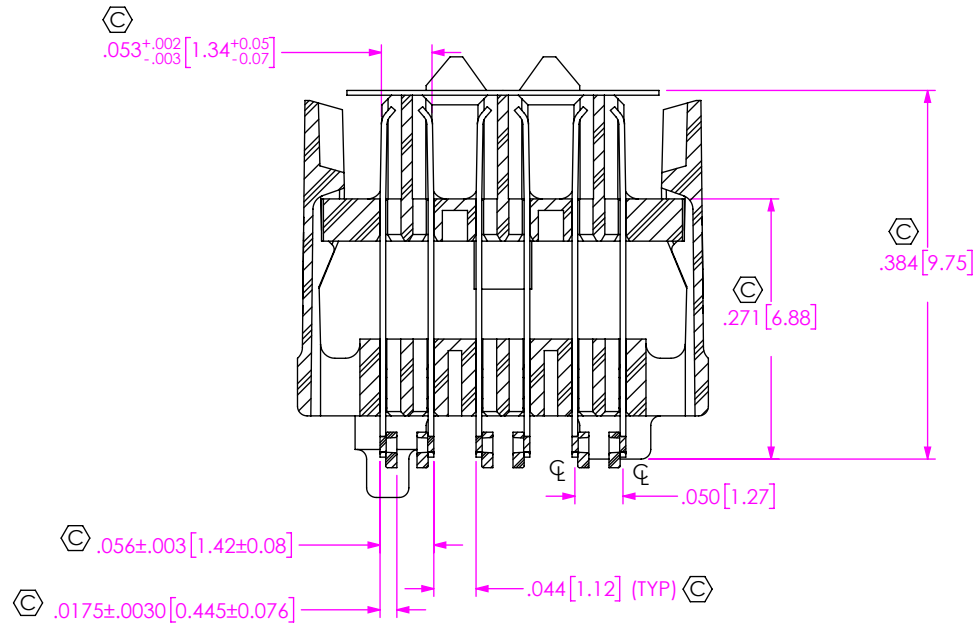
DO NOT SCALE FROM THIS PRINT

- NOTES:
- VITA 88 -19 POSITION WITH -07.0 BODY HEIGHT IS NOT AVAILABLE AS STANDARD.
  - ⊕ REPRESENTS A CRITICAL DIMENSION.
  - MINIMUM PUSHOUT FORCE: .50 LBS
  - DIMENSION MUST BE MEASURED USING INSPECTION FIXTURE AT-1817-836-2. USE CO-AU-WI-2003-M FOR PROCESS.
  - MEASURED FIRST & LAST POSITIONS ONLY, ALL ROWS.
  - PARTS TO BE PACKAGED IN TAPE & REEL. ATTACH LABEL "SEAX-0001" TO EACH TAPE & REEL PACKAGE.
  - ORDERS WILL BE PACKAGED ACCORDING TO THE SAMTEC PACKAGING EFFICIENCY STANDARDS (SPES) FOUND ON WWW.SAMTEC.COM.
  - ATTACH LABEL -4x2 TO EACH REEL.

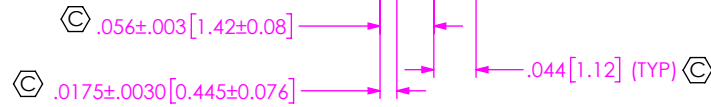


UNLESS OTHERWISE SPECIFIED, DIMENSIONS ARE IN INCHES. TOLERANCES ARE: DECIMALS                      ANGLES .XX: ±.01[0.3]                      2° .XXX: ±.005[0.13] .XXXX: ±.0020[0.051]	* PROPRIETARY NOTE * THIS DOCUMENT CONTAINS CONFIDENTIAL AND PROPRIETARY INFORMATION AND ALL DESIGN, MANUFACTURING, REPRODUCTION, USE, PATENT RIGHTS AND SALES RIGHTS ARE EXPRESSLY RESERVED BY SAMTEC, INC. THIS DOCUMENT SHALL NOT BE DISCLOSED, IN WHOLE OR PART, TO ANY UNAUTHORIZED PERSON OR ENTITY NOR REPRODUCED, TRANSFERRED OR INCORPORATED IN ANY OTHER PROJECT IN ANY MANNER WITHOUT THE EXPRESS WRITTEN CONSENT OF SAMTEC, INC.		520 PARK EAST BLVD, NEW ALBANY, IN 47150 PHONE: 812-944-6733      FAX: 812-948-5047 e-Mail: info@SAMTEC.com      code: 55322
			DO NOT SCALE DRAWING      SHEET SCALE: 2:1
PLATING: CONTACT AREA: .000030 GOLD OVER .000100 NICKEL REMAINDER: .000200 TIN/LEAD (90/10±5%) OVER .000050 NICKEL SOLDER COMPOSITION: 63% TIN/37% LEAD CHARGE TAIL	DWG. NO.	ASP-212954-01	BY: JACK Z      09/16/2019      SHEET 1 OF 3

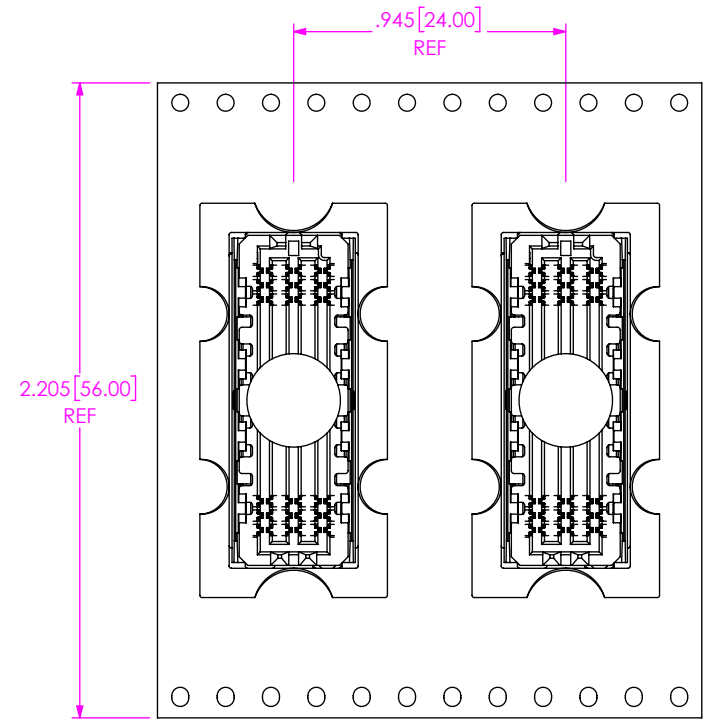
ITEM NO.	PART NUMBER	QUANTITY	MATERIAL
1	ASP-213637-01-B	1.0000	LCP, COLOR: BLACK
2	ASP-213639-01-B	1.0000	LCP, COLOR: BLACK
3	NEW-SUB-T-1M38-07.0-STL-1	114.00	BeCu/LEADED SOLDER
4	K-DOT-.325-.450-.005	1.0000	POLYIMIDE FILM
5	CT-ASP5817MS	.00667	CONDUCTIVE POLYMER



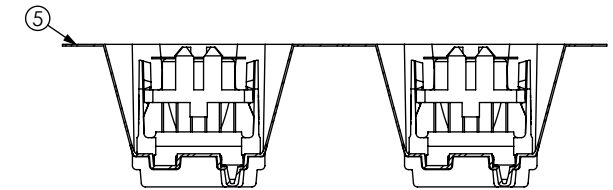
SECTION "A"-"A"  
SCALE 5 : 1



DETAIL 'B'  
SCALE 4 : 1



USER DIRECTION OF UN-REELING →  
POCKET NOT DETAILED



PACKAGING VIEW

**PROPRIETARY NOTE**  
THIS DOCUMENT CONTAINS CONFIDENTIAL AND PROPRIETARY INFORMATION AND ALL DESIGN, MANUFACTURING, REPRODUCTION, USE, PATENT RIGHTS AND SALES RIGHTS ARE EXPRESSLY RESERVED BY SAMTEC, INC. THIS DOCUMENT SHALL NOT BE DISCLOSED, IN WHOLE OR PART, TO ANY UNAUTHORIZED PERSON OR ENTITY NOR REPRODUCED, TRANSFERRED OR INCORPORATED IN ANY OTHER PROJECT IN ANY MANNER WITHOUT THE EXPRESS WRITTEN CONSENT OF SAMTEC, INC.



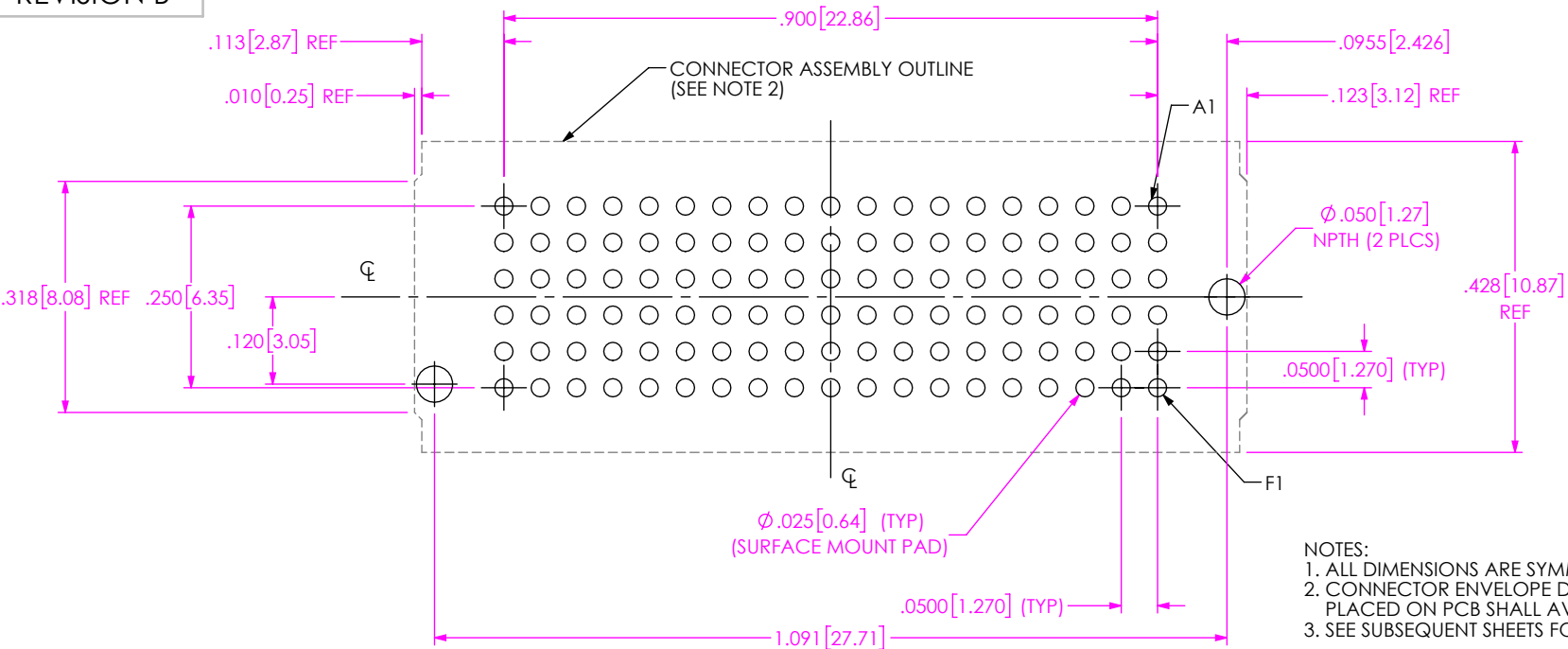
520 PARK EAST BLVD, NEW ALBANY, IN 47150  
PHONE: 812-944-6733 FAX: 812-948-5047  
e-Mail: info@SAMTEC.com code: 55322

SHEET SCALE: 2:1

DESCRIPTION:  
VITA 88 MODIFIED 19 POS, 6 ROW .050 TERM ARRAY ASM

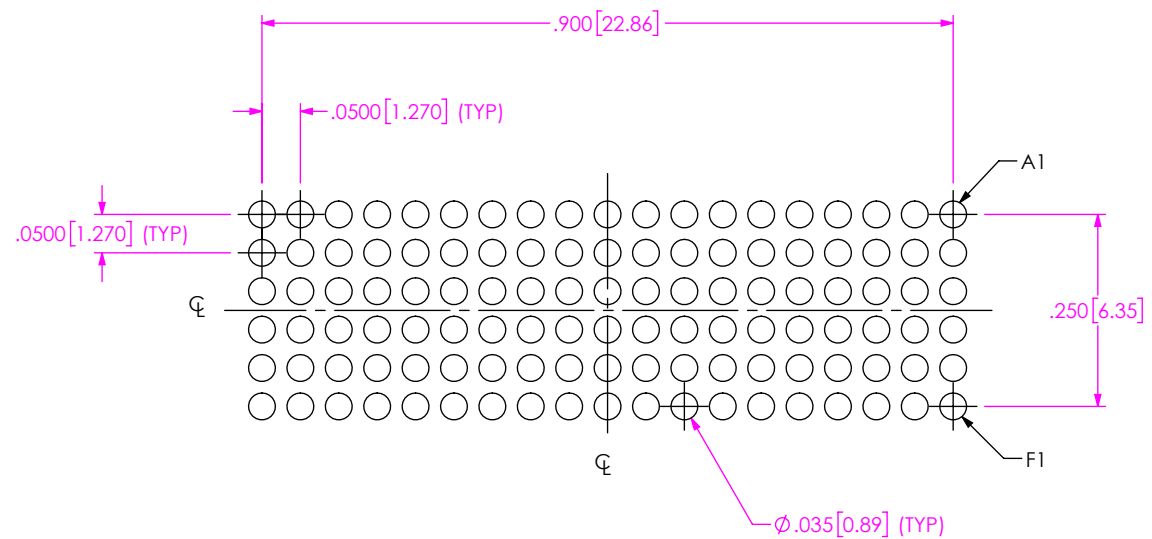
DWG. NO.  
**ASP-212954-01**

BY: JACK Z 09/16/2019 SHEET 2 OF 3



- NOTES:
1. ALL DIMENSIONS ARE SYMMETRIC ABOUT THE CENTERLINE.
  2. CONNECTOR ENVELOPE DIMENSIONS, OTHER COMPONENTS PLACED ON PCB SHALL AVOID THIS ZONE.
  3. SEE SUBSEQUENT SHEETS FOR STENCIL REQUIREMENTS.

RECOMMENDED PCB LAYOUT



RECOMMENDED STENCIL LAYOUT  
(ALL DIMENSIONS ARE SYMMETRIC ABOUT THE CENTERLINE)

NOTE:  
STENCIL TO BE .0060 [0.152] THICK.

<p><b>PROPRIETARY NOTE</b> THIS DOCUMENT CONTAINS CONFIDENTIAL AND PROPRIETARY INFORMATION AND ALL DESIGN, MANUFACTURING, REPRODUCTION, USE, PATENT RIGHTS AND SALES RIGHTS ARE EXPRESSLY RESERVED BY SAMTEC, INC. THIS DOCUMENT SHALL NOT BE DISCLOSED, IN WHOLE OR PART, TO ANY UNAUTHORIZED PERSON OR ENTITY NOR REPRODUCED, TRANSFERRED OR INCORPORATED IN ANY OTHER PROJECT IN ANY MANNER WITHOUT THE EXPRESS WRITTEN CONSENT OF SAMTEC, INC.</p>	 <p>520 PARK EAST BLVD, NEW ALBANY, IN 47150 PHONE: 812-944-6733 FAX: 812-948-5047 e-Mail: info@SAMTEC.com code: 55322</p>
<p>SHEET SCALE: 2:1</p>	<p>DESCRIPTION: VITA 88 MODIFIED 19 POS, 6 ROW .050 TERM ARRAY ASM DWG. NO. <b>ASP-212954-01</b> BY: JACK Z 09/16/2019 SHEET 3 OF 3</p>