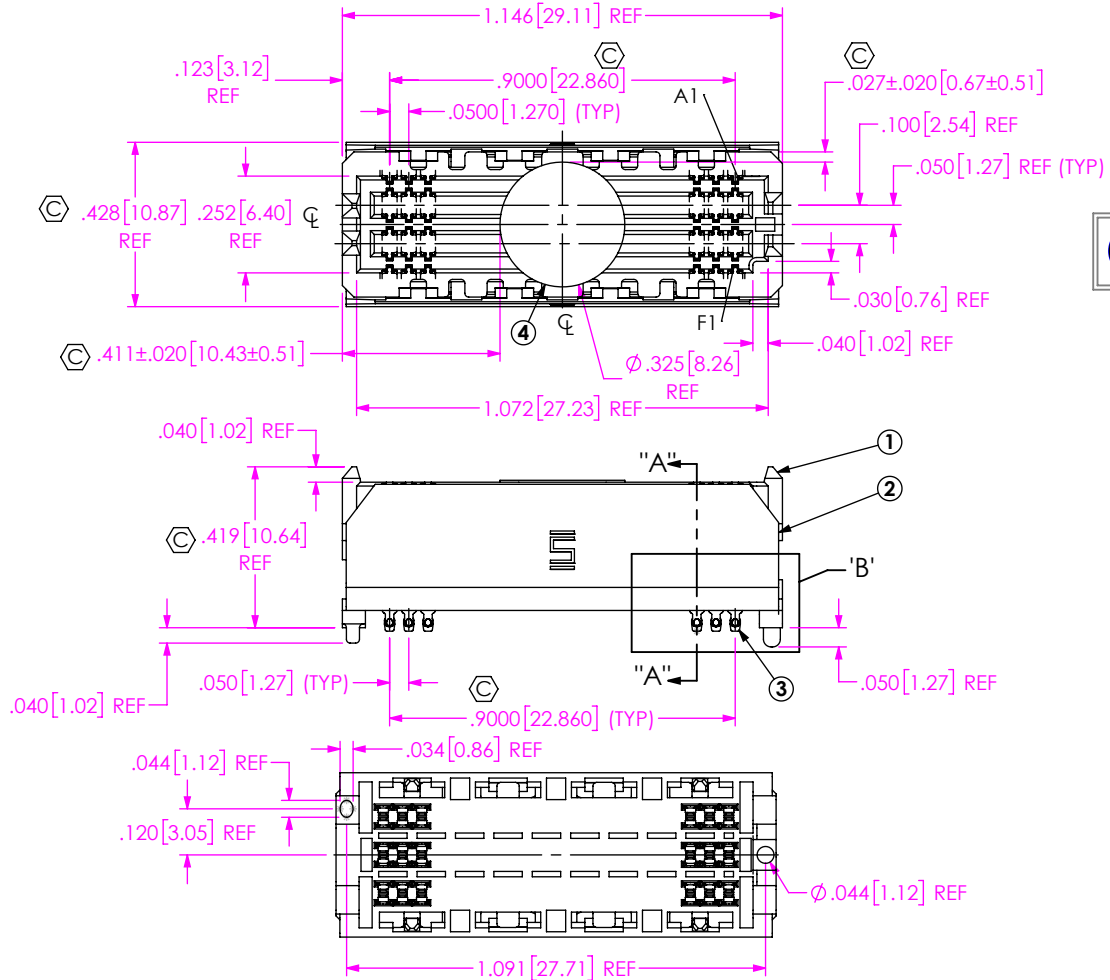
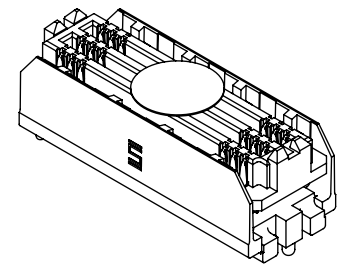


- NOTES:
- VITA 88 -19 POSITION WITH -07.0 BODY HEIGHT IS NOT AVAILABLE AS STANDARD.
 - ⊕ REPRESENTS A CRITICAL DIMENSION.
 - MINIMUM PUSHOUT FORCE: .50 LBS
 - DIMENSION MUST BE MEASURED USING INSPECTION FIXTURE AT-1817-836-2. USE CO-AU-WI-2003-M FOR PROCESS.
 - MEASURED FIRST & LAST POSITIONS ONLY, ALL ROWS.
 - PARTS TO BE PACKAGED IN TAPE & REEL. ATTACH LABEL "SEAX-0001" TO EACH TAPE & REEL PACKAGE.
 - ORDERS WILL BE PACKAGED ACCORDING TO THE SAMTEC PACKAGING EFFICIENCY STANDARDS (SPES) FOUND ON WWW.SAMTEC.COM.
 - ATTACH LABEL -4x2 TO EACH REEL.

DO NOT SCALE FROM THIS PRINT



THIS PRODUCT MANUFACTURED WITH LEAD-FREE PROCESSING

BY SIGNING THIS DOCUMENT YOU ARE ACCEPTING THE CONDITIONS SET WITHIN. YOUR REQUIREMENTS MUST BE LISTED WITHIN THIS DRAWING. WHERE NO DIRECTION FROM THE CUSTOMER IS IDENTIFIED SAMTEC'S PROCESS REQUIREMENTS WILL BE USED.

DATE: _____
 COMPANY: _____
 CUSTOMER SIGNATURE: _____
 PRINTED NAME: _____
 PHONE NO: _____
 EXCEPTIONS: _____

(SOME CENTER FEATURES REMOVED FOR CLARITY)

UNLESS OTHERWISE SPECIFIED, DIMENSIONS ARE IN INCHES.

TOLERANCES ARE:

DECIMALS	ANGLES
.XX: ±.01[0.3]	2°
.XXX: ±.005[0.13]	
.XXXX: ±.0020[0.051]	

PROPRIETARY NOTE

THIS DOCUMENT CONTAINS CONFIDENTIAL AND PROPRIETARY INFORMATION AND ALL DESIGN, MANUFACTURING, REPRODUCTION, USE, PATENT RIGHTS AND SALES RIGHTS ARE EXPRESSLY RESERVED BY SAMTEC, INC. THIS DOCUMENT SHALL NOT BE DISCLOSED, IN WHOLE OR PART, TO ANY UNAUTHORIZED PERSON OR ENTITY NOR REPRODUCED, TRANSFERRED OR INCORPORATED IN ANY OTHER PROJECT IN ANY MANNER WITHOUT THE EXPRESS WRITTEN CONSENT OF SAMTEC, INC.



520 PARK EAST BLVD, NEW ALBANY, IN 47150
 PHONE: 812-944-6733 FAX: 812-948-5047
 e-Mail: info@SAMTEC.com code: 55322

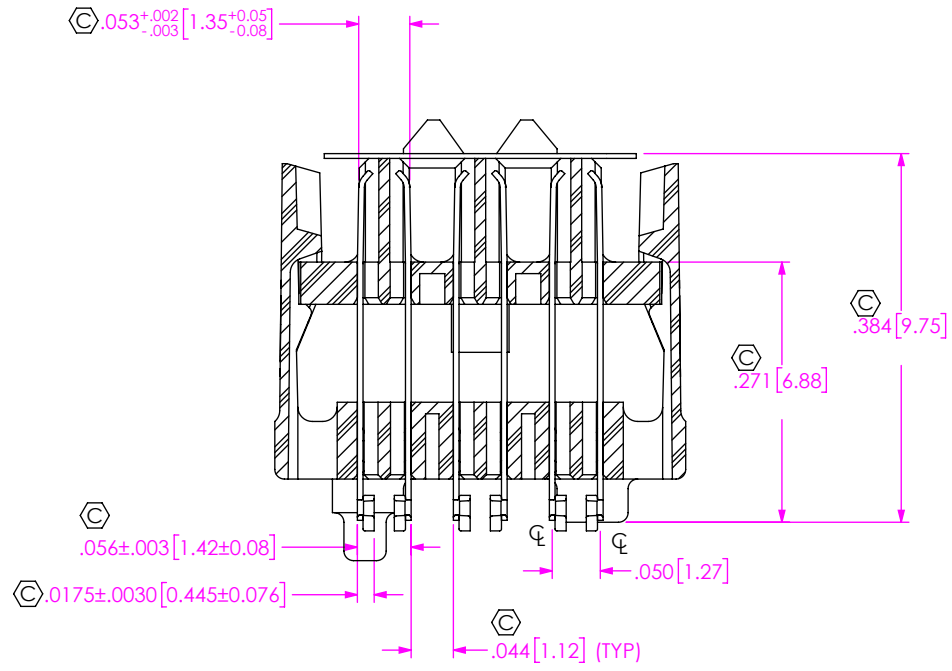
ITEM NO.	PART NUMBER	QUANTITY	MATERIAL
1	ASP-213637-01-B	1.0000	LCP, COLOR: BLACK
2	ASP-213639-01-B	1.0000	LCP, COLOR: BLACK
3	NEW-SUB-T-1M38-07.0-S-2	114.00	BeCu/TIN, SILVER, COPPER
4	K-DOT-.325-.450-.005	1.0000	POLYIMIDE FILM
5	CT-ASP5817MS	.00667	CONDUCTIVE POLYMER

DO NOT SCALE DRAWING SHEET SCALE: 2:1

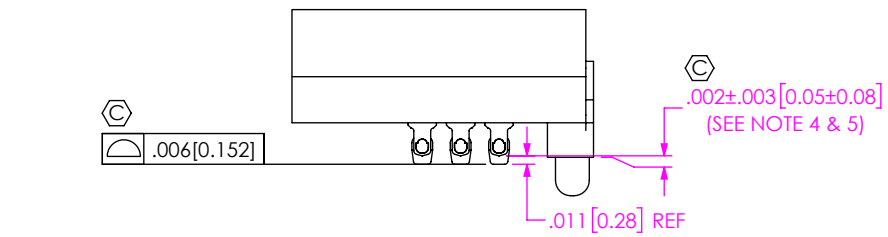
PLATING:
 CONTACT AREA: .000030 GOLD OVER .000050 NICKEL
 REMAINDER: .000200 TIN OVER .000050 NICKEL
 SOLDER COMPOSITION: 95.5% TIN/ 3.8% SILVER / .7% COPPER CHARGE TAIL

DESCRIPTION:
 VITA 88 MODIFIED 19 POS, 6 ROW .050 TERM ARRAY ASM

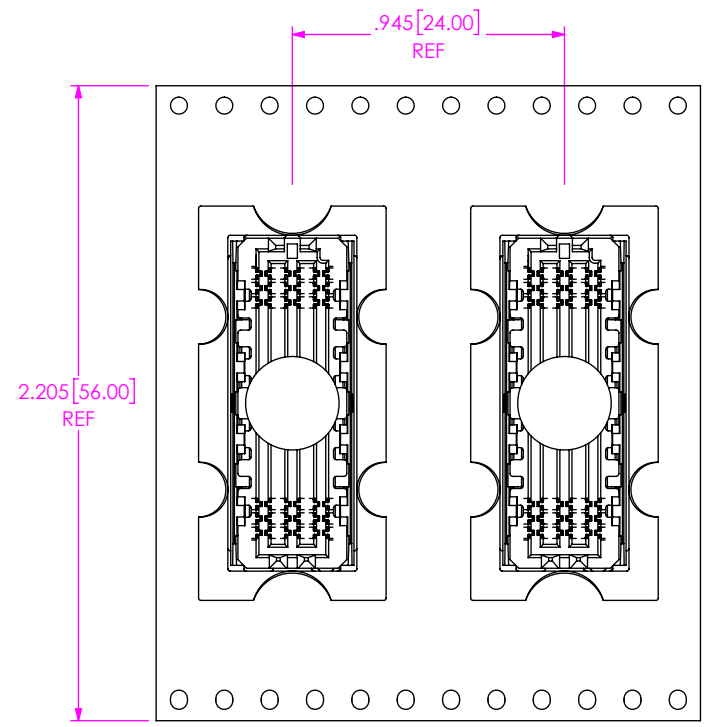
DWG. NO. **ASP-212954-02**



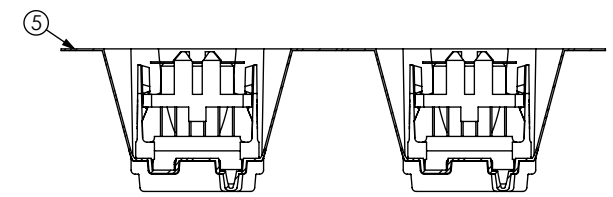
SECTION "A"-"A"
SCALE 5 : 1



DETAIL 'B'
SCALE 4 : 1



USER DIRECTION OF UN-REELING
POCKET NOT DETAILED



PACKAGING VIEW

PROPRIETARY NOTE
THIS DOCUMENT CONTAINS CONFIDENTIAL AND PROPRIETARY INFORMATION AND ALL DESIGN, MANUFACTURING, REPRODUCTION, USE, PATENT RIGHTS AND SALES RIGHTS ARE EXPRESSLY RESERVED BY SAMTEC, INC. THIS DOCUMENT SHALL NOT BE DISCLOSED, IN WHOLE OR PART, TO ANY UNAUTHORIZED PERSON OR ENTITY NOR REPRODUCED, TRANSFERRED OR INCORPORATED IN ANY OTHER PROJECT IN ANY MANNER WITHOUT THE EXPRESS WRITTEN CONSENT OF SAMTEC, INC.



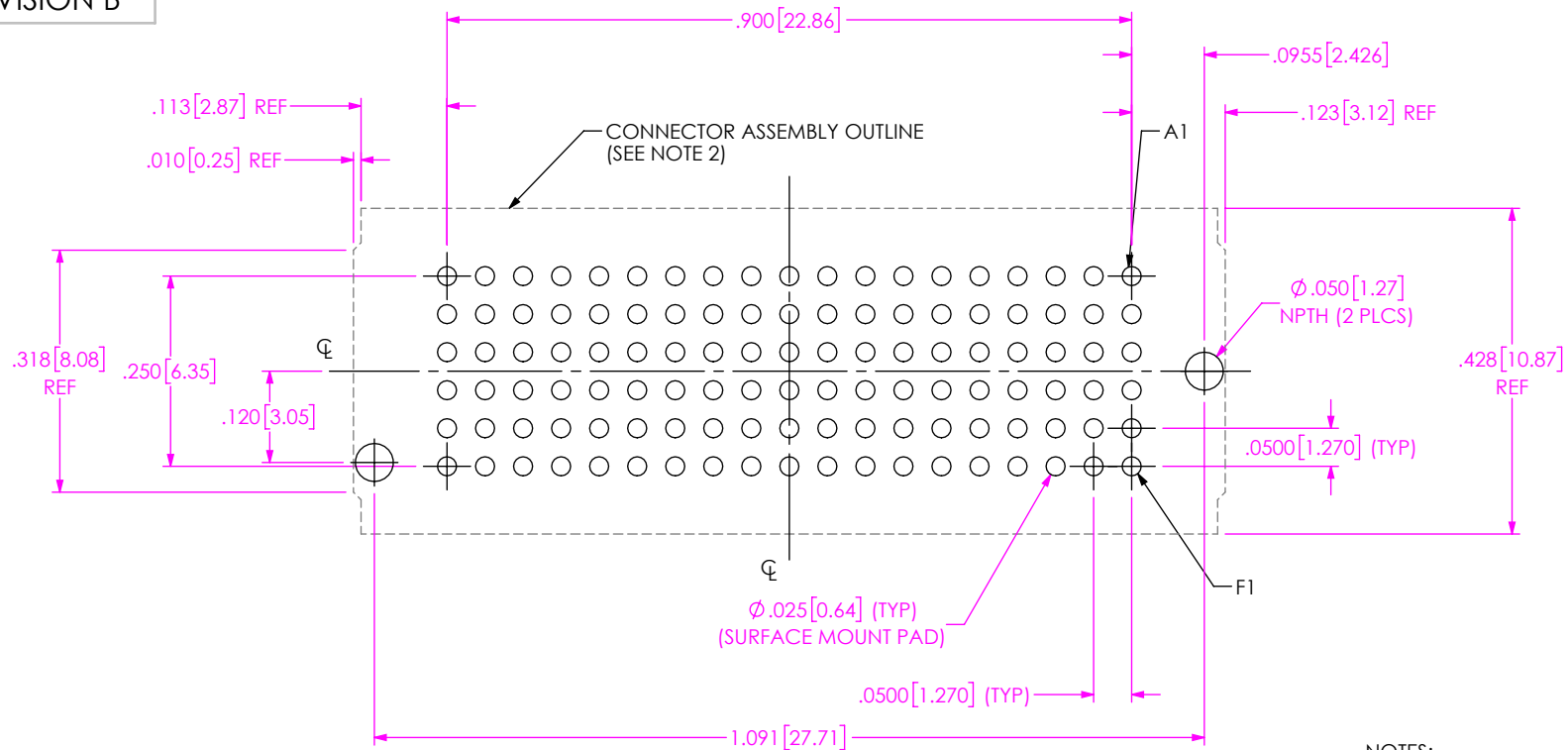
520 PARK EAST BLVD, NEW ALBANY, IN 47150
PHONE: 812-944-6733 FAX: 812-948-5047
e-Mail: info@SAMTEC.com code: 55322

SHEET SCALE: 2:1

DESCRIPTION:
VITA 88 MODIFIED 19 POS, 6 ROW .050 TERM ARRAY ASM

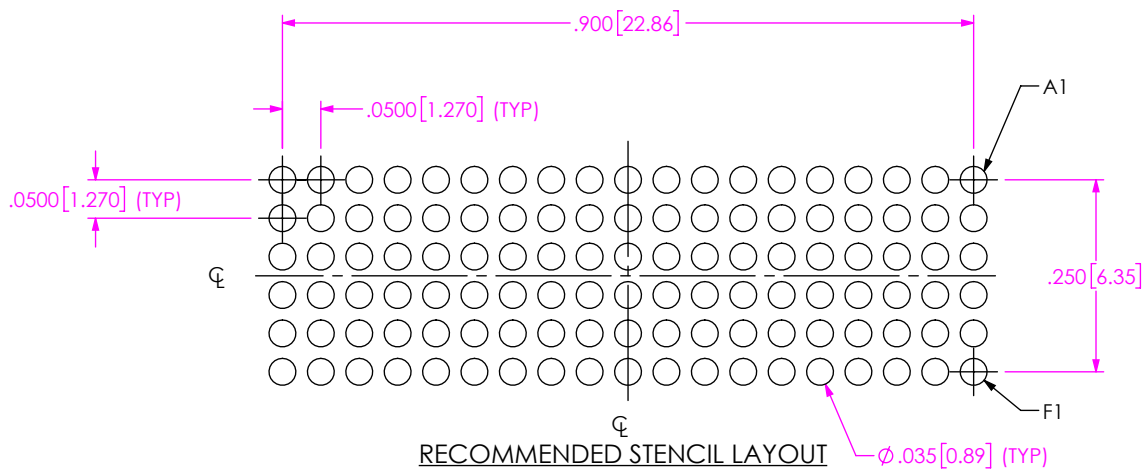
DWG. NO.
ASP-212954-02

BY: JACK Z 09/24/2019 SHEET 2 OF 3



RECOMMENDED PCB LAYOUT

- NOTES:
1. ALL DIMENSIONS ARE SYMMETRIC ABOUT THE CENTERLINE.
 2. CONNECTOR ENVELOPE DIMENSIONS, OTHER COMPONENTS PLACED ON PCB SHALL AVOID THIS ZONE.
 3. SEE SUBSEQUENT SHEETS FOR STENCIL REQUIREMENTS.



RECOMMENDED STENCIL LAYOUT
(ALL DIMENSIONS ARE SYMMETRIC ABOUT THE CENTERLINE)

NOTE:
STENCIL TO BE .0060[0.152] THICK.

<p>PROPRIETARY NOTE THIS DOCUMENT CONTAINS CONFIDENTIAL AND PROPRIETARY INFORMATION AND ALL DESIGN, MANUFACTURING, REPRODUCTION, USE, PATENT RIGHTS AND SALES RIGHTS ARE EXPRESSLY RESERVED BY SAMTEC, INC. THIS DOCUMENT SHALL NOT BE DISCLOSED, IN WHOLE OR PART, TO ANY UNAUTHORIZED PERSON OR ENTITY NOR REPRODUCED, TRANSFERRED OR INCORPORATED IN ANY OTHER PROJECT IN ANY MANNER WITHOUT THE EXPRESS WRITTEN CONSENT OF SAMTEC, INC.</p>	 <p>520 PARK EAST BLVD, NEW ALBANY, IN 47150 PHONE: 812-944-6733 FAX: 812-948-5047 e-Mail: info@SAMTEC.com code: 55322</p>
<p>SHEET SCALE: 2:1</p>	<p>DESCRIPTION: VITA 88 MODIFIED 19 POS, 6 ROW .050 TERM ARRAY ASM DWG. NO. ASP-212954-02 BY: JACK Z 09/24/2019 SHEET 3 OF 3</p>