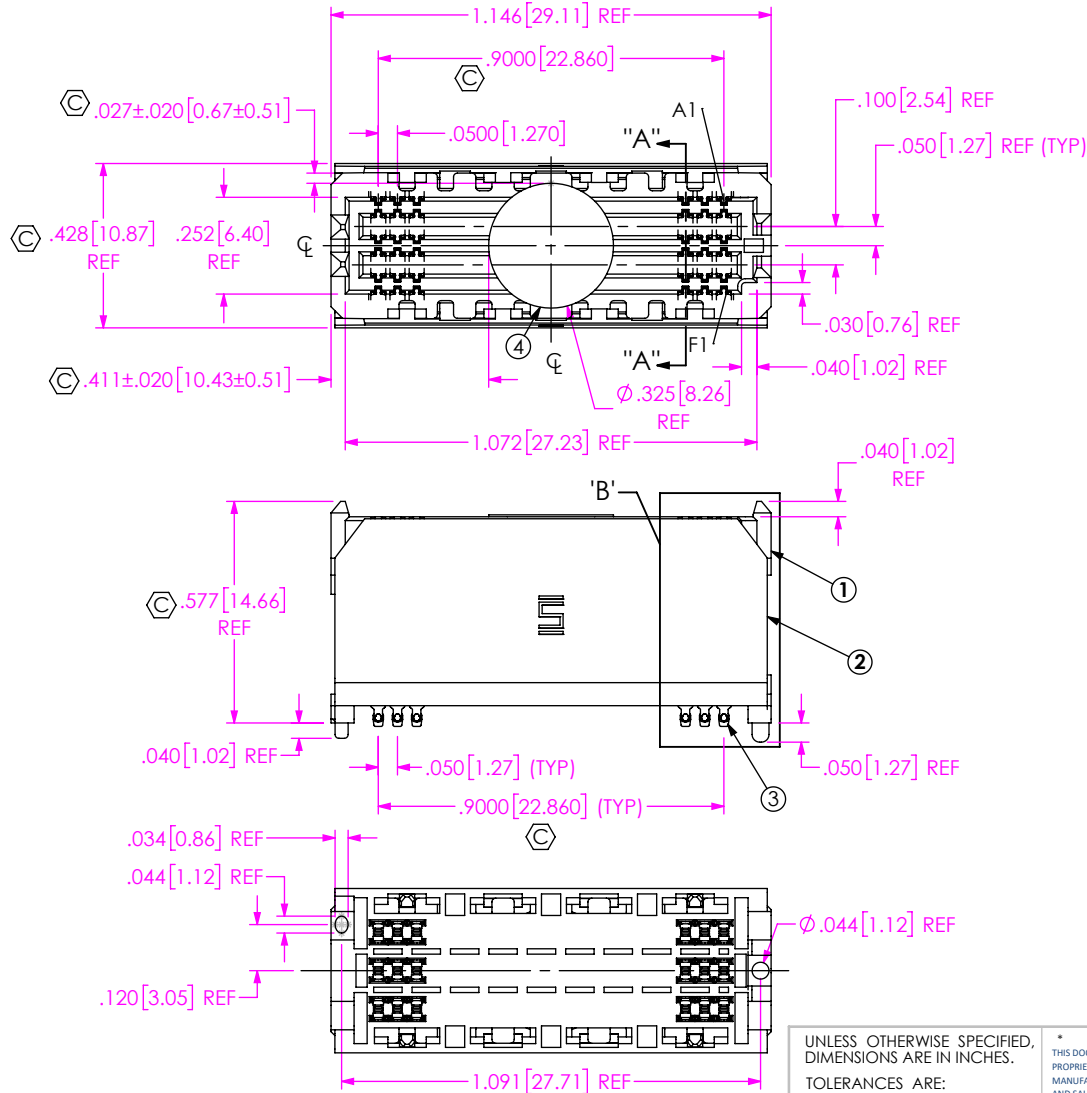
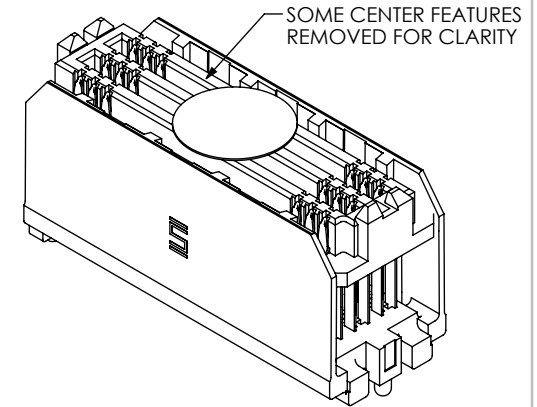


DO NOT SCALE FROM THIS PRINT

- NOTES:
 1. **VITA 88, -19 POSITION WITH -11.0 BODY HEIGHT IS NOT AVAILABLE AS STANDARD.**
 2. Ⓢ REPRESENTS A CRITICAL DIMENSION.
 3. MINIMUM PUSHOUT FORCE: .50 LBS
 4. DIMENSION MUST BE MEASURED USING INSPECTION FIXTURE AT-1817-836-2. USE CO-AU-WI-2003-M FOR PROCESS.
 5. MEASURED FIRST & LAST POSITIONS ONLY, ALL ROWS.
 6. PARTS TO BE PACKAGED IN TAPE & REEL.
 ATTACH LABEL "SEAX-0001" TO EACH TAPE & REEL PACKAGE.
 7. ORDERS WILL BE PACKAGED ACCORDING TO THE SAMTEC PACKAGING EFFICIENCY STANDARDS (SPES) FOUND ON WWW.SAMTEC.COM.
 8. ATTACH LABEL -4X2 TO EACH REEL .

ANY REVISION MADE TO THIS PRINT MUST HAVE AN UPDATED MKT PRINT

THIS PRODUCT MANUFACTURED WITH LEAD-FREE PROCESSING



UNLESS OTHERWISE SPECIFIED, DIMENSIONS ARE IN INCHES.
 TOLERANCES ARE:
 DECIMALS ANGLES
 .XX: ±.01[0.3] 2°
 .XXX: ±.005[0.13]
 .XXXX: ±.0020[0.051]

PROPRIETARY NOTE
 THIS DOCUMENT CONTAINS CONFIDENTIAL AND PROPRIETARY INFORMATION AND ALL DESIGN, MANUFACTURING, REPRODUCTION, USE, PATENT RIGHTS AND SALES RIGHTS ARE EXPRESSLY RESERVED BY SAMTEC, INC. THIS DOCUMENT SHALL NOT BE DISCLOSED, IN WHOLE OR PART, TO ANY UNAUTHORIZED PERSON OR ENTITY NOR REPRODUCED, TRANSFERRED OR INCORPORATED IN ANY OTHER PROJECT IN ANY MANNER WITHOUT THE EXPRESS WRITTEN CONSENT OF SAMTEC, INC.



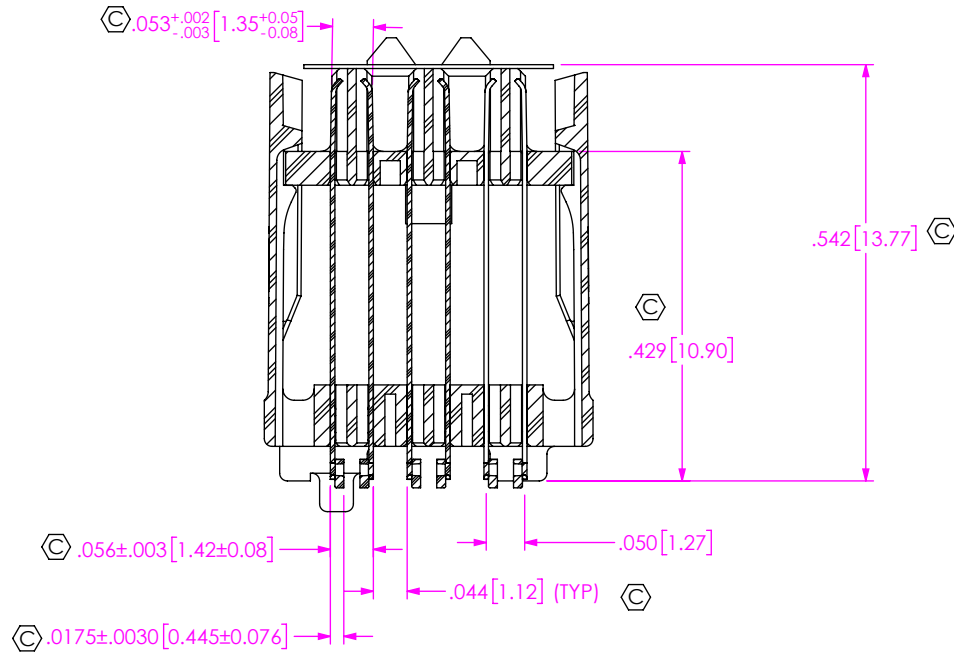
520 PARK EAST BLVD, NEW ALBANY, IN 47150
 PHONE: 812-944-6733 FAX: 812-948-5047
 e-Mail: info@SAMTEC.com code: 55322

DO NOT SCALE DRAWING SHEET SCALE: 2:1
 PLATING:
 CONTACT AREA: .000030 GOLD OVER .000100 NICKEL
 REMAINDER: .000200 TIN OVER .000050 NICKEL
 SOLDER COMPOSITION: 95.5% TIN/3.8% SILVER/ .7% COPPER CHARGE TAIL

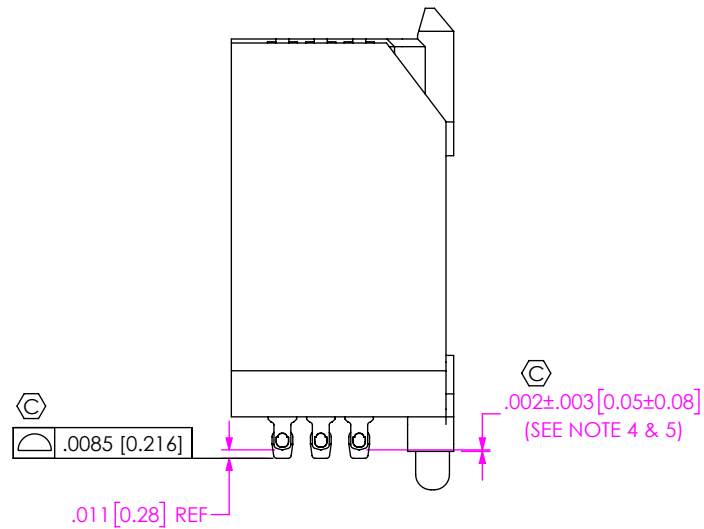
DESCRIPTION:
 VITA 88 MODIFIED 19 POS, 6 ROW .050 TERM ARRAY ASM
 DWG. NO. **ASP-212955-02**

BY: EVE L 09/24/2019 SHEET 1 OF 3

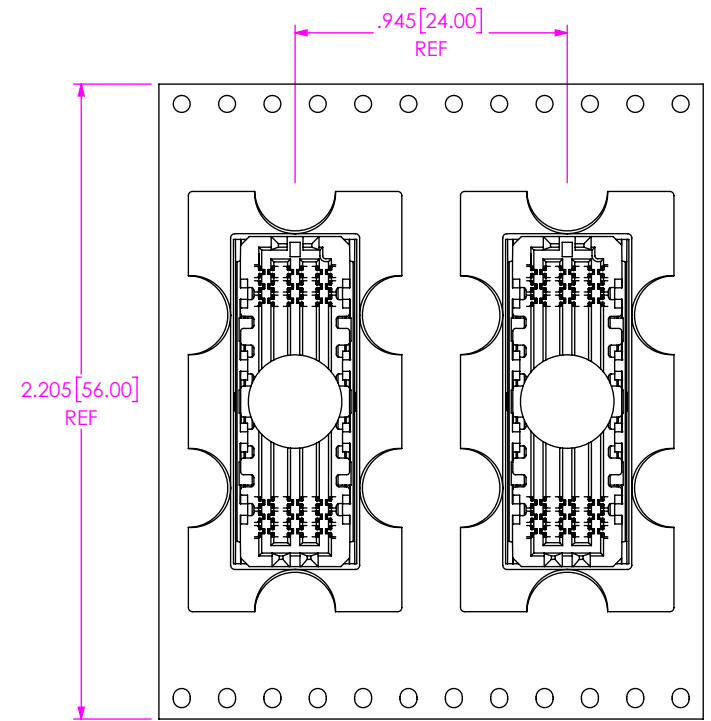
| ITEM NO. | PART NUMBER | QUANTITY | MATERIAL |
|----------|-------------------------|----------|-----------------------|
| 1 | ASP-213637-01-B | 1.0000 | LCP, COLOR: BLACK |
| 2 | ASP-213645-01-B | 1.0000 | LCP, COLOR: BLACK |
| 3 | NEW-SUB-T-1M38-11.0-S-2 | 114.00 | BeCu/LEAD FREE SOLDER |
| 4 | K-DOT-.325-.450-.005 | 1.0000 | POLYIMIDE FILM |
| 5 | CT-ASP5763MS | .01000 | CONDUCTIVE POLYMER |



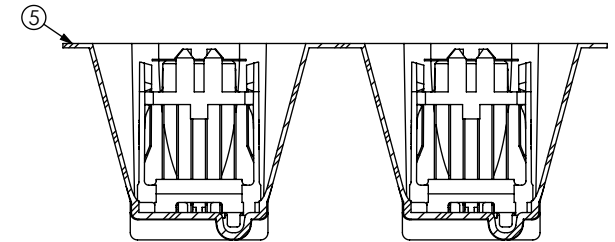
SECTION "A"- "A"
SCALE 4 : 1



DETAIL 'B'
SCALE 4 : 1



USER DIRECTION OF UN-REELING →
POCKET NOT DETAILED



PACKAGING VIEW

PROPRIETARY NOTE
 THIS DOCUMENT CONTAINS CONFIDENTIAL AND PROPRIETARY INFORMATION AND ALL DESIGN, MANUFACTURING, REPRODUCTION, USE, PATENT RIGHTS AND SALES RIGHTS ARE EXPRESSLY RESERVED BY SAMTEC, INC. THIS DOCUMENT SHALL NOT BE DISCLOSED, IN WHOLE OR PART, TO ANY UNAUTHORIZED PERSON OR ENTITY NOR REPRODUCED, TRANSFERRED OR INCORPORATED IN ANY OTHER PROJECT IN ANY MANNER WITHOUT THE EXPRESS WRITTEN CONSENT OF SAMTEC, INC.



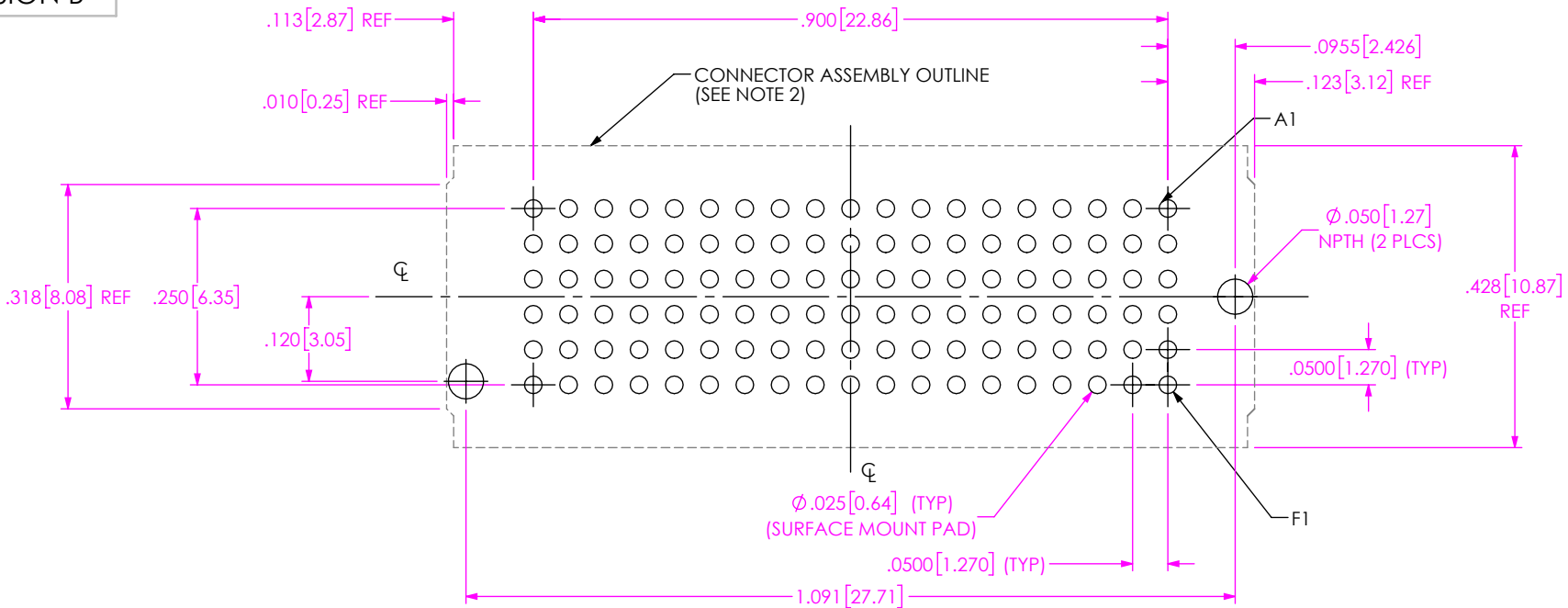
520 PARK EAST BLVD, NEW ALBANY, IN 47150
 PHONE: 812-944-6733 FAX: 812-948-5047
 e-Mail: info@SAMTEC.com code: 55322

SHEET SCALE: 2:1

DESCRIPTION:
 VITA 88 MODIFIED 19 POS, 6 ROW .050 TERM ARRAY ASM

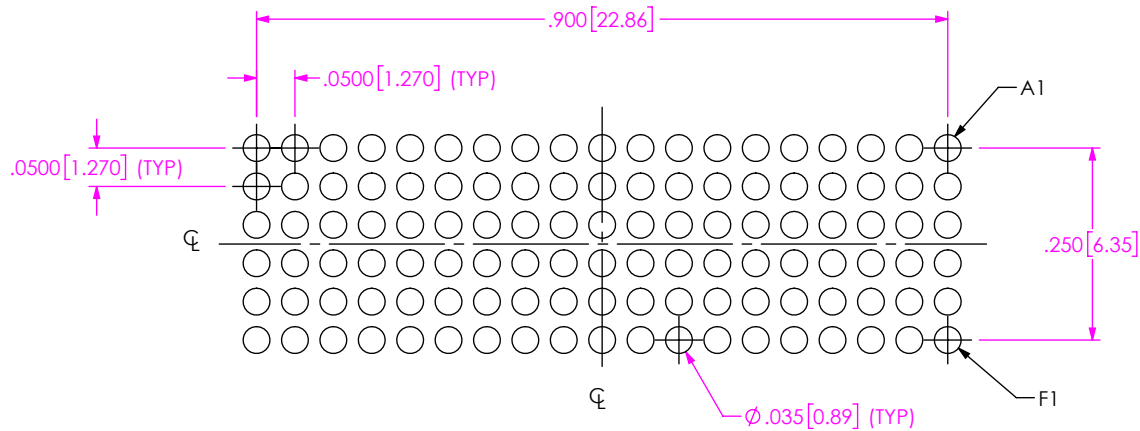
DWG. NO.
ASP-212955-02

BY: EVE L 09/24/2019 SHEET 2 OF 3



RECOMMENDED PCB LAYOUT

- NOTES:
1. ALL DIMENSIONS ARE SYMMETRIC ABOUT THE CENTERLINE.
 2. CONNECTOR ENVELOPE DIMENSIONS, OTHER COMPONENTS PLACED ON PCB SHALL AVOID THIS ZONE.
 3. SEE SUBSEQUENT SHEETS FOR STENCIL REQUIREMENTS.



RECOMMENDED STENCIL LAYOUT
(ALL DIMENSIONS ARE SYMMETRIC ABOUT THE CENTERLINE)

NOTE:
STENCIL TO BE .0060 [0.152] THICK.

PROPRIETARY NOTE
THIS DOCUMENT CONTAINS CONFIDENTIAL AND PROPRIETARY INFORMATION AND ALL DESIGN, MANUFACTURING, REPRODUCTION, USE, PATENT RIGHTS AND SALES RIGHTS ARE EXPRESSLY RESERVED BY SAMTEC, INC. THIS DOCUMENT SHALL NOT BE DISCLOSED, IN WHOLE OR PART, TO ANY UNAUTHORIZED PERSON OR ENTITY NOR REPRODUCED, TRANSFERRED OR INCORPORATED IN ANY OTHER PROJECT IN ANY MANNER WITHOUT THE EXPRESS WRITTEN CONSENT OF SAMTEC, INC.



520 PARK EAST BLVD, NEW ALBANY, IN 47150
PHONE: 812-944-6733 FAX: 812-948-5047
e-Mail: info@SAMTEC.com code: 55322

SHEET SCALE: 2:1

DESCRIPTION:
VITA 88 MODIFIED 19 POS, 6 ROW .050 TERM ARRAY ASM

DWG. NO. **ASP-212955-02**

BY: EVE L 09/24/2019 SHEET 3 OF 3