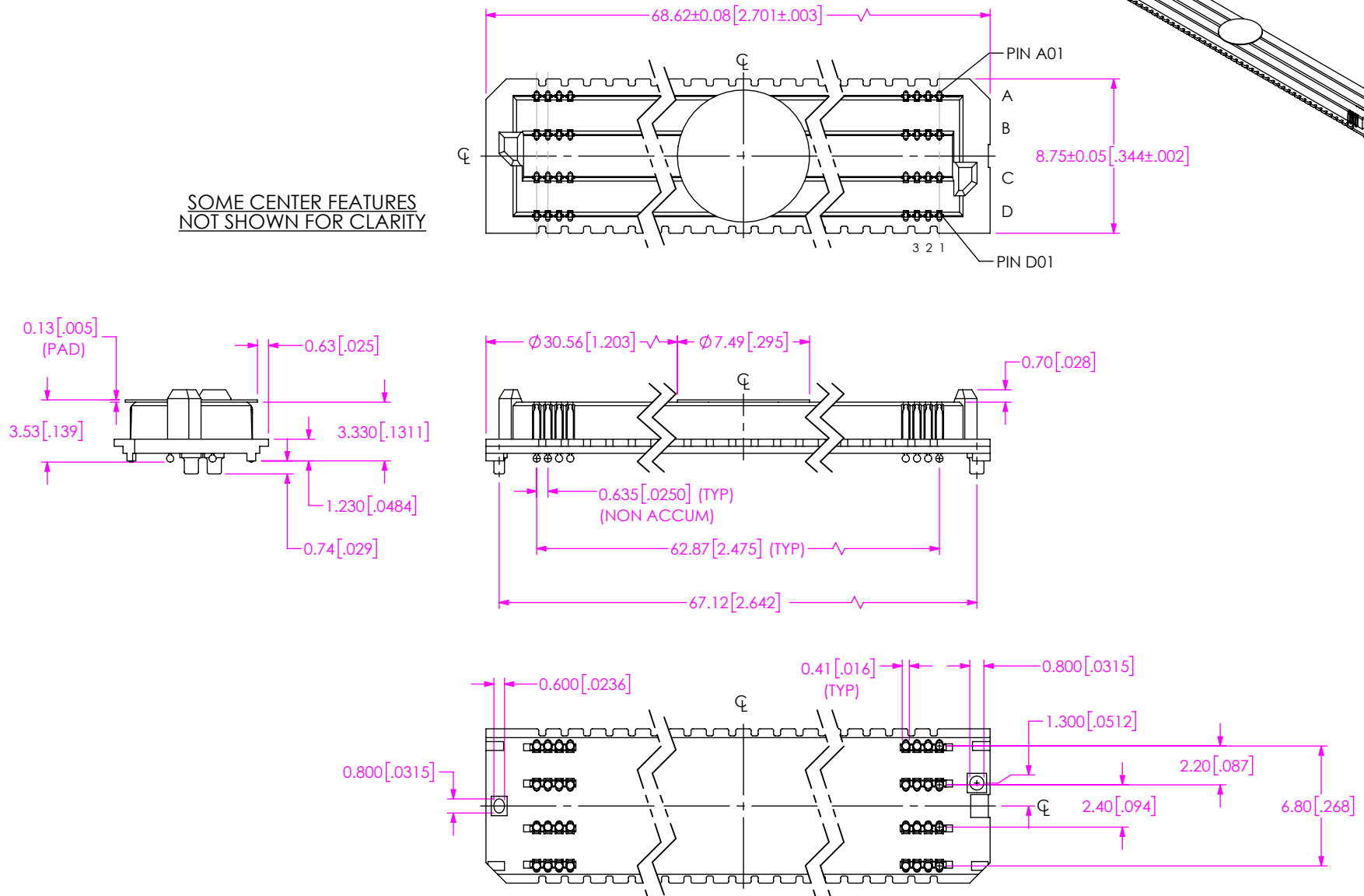
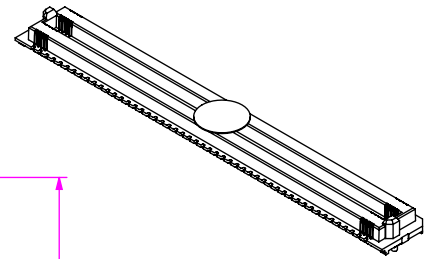


DESIGNED AND DIMENSIONED IN MILLIMETERS [INCHES]  
ALL DIMENSIONS REFERENCE EXCEPT AS SHOWN

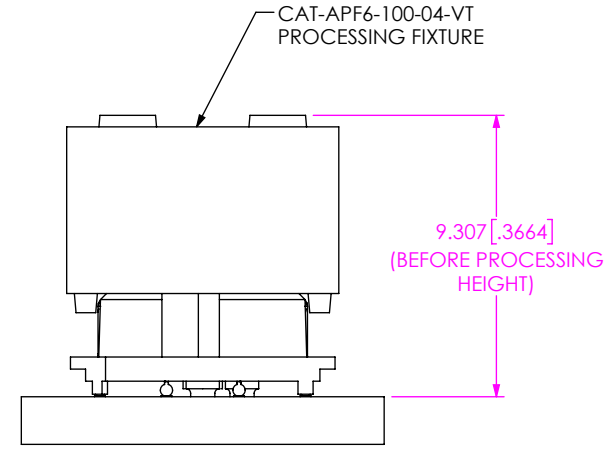
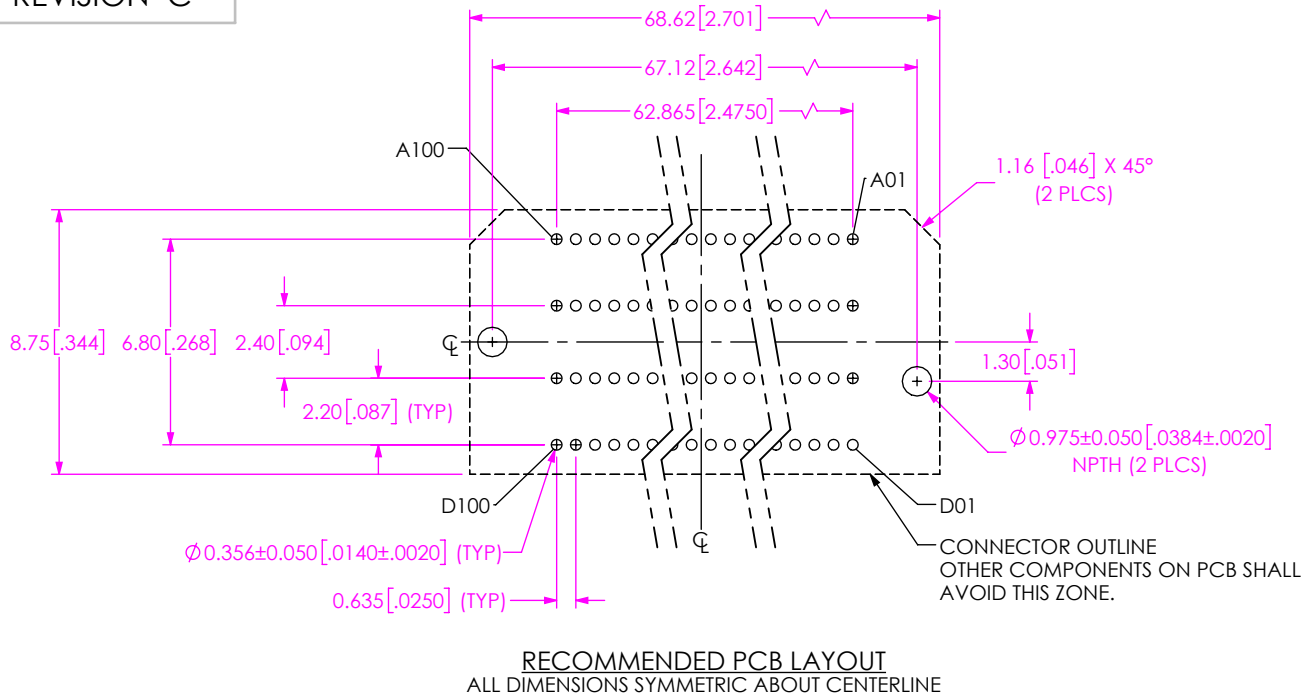
DO NOT  
SCALE FROM  
THIS PRINT

SOME CENTER FEATURES  
NOT SHOWN FOR CLARITY

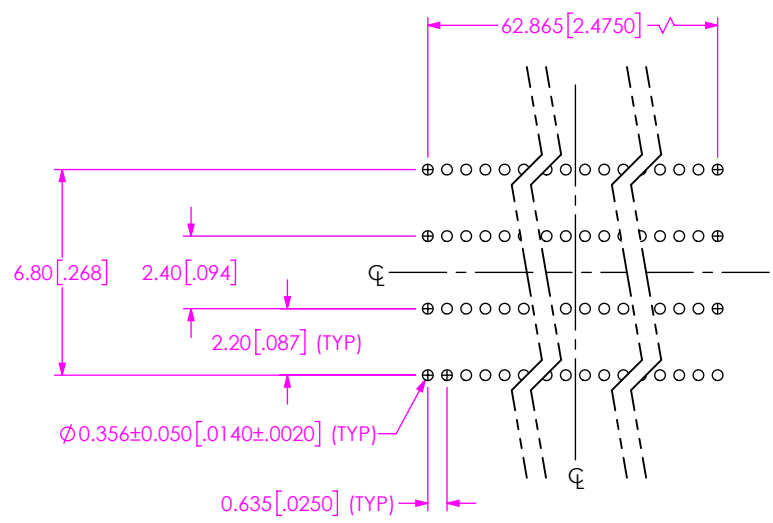


- NOTES:
- NOTE DELETED.
  - PARTS TO BE PACKAGED IN TAPE & REEL.
  - ORDERS WILL BE PACKAGED ACCORDING TO THE SAMTEC PACKAGING EFFICIENCY STANDARDS [SPES] FOUND ON WWW.SAMTEC.COM.
  - ATTACH LABEL-4X2 TO EACH REEL.
  - K-DOT PROVIDED AS STANDARD.
  - MEASURE BOTH OUTSIDE ROWS ONLY.

<p><b>PROPRIETARY NOTE</b></p> <p>THIS DOCUMENT CONTAINS CONFIDENTIAL AND PROPRIETARY INFORMATION AND ALL DESIGN, MANUFACTURING, REPRODUCTION, USE, PATENT RIGHTS AND SALES RIGHTS ARE EXPRESSLY RESERVED BY SAMTEC, INC. THIS DOCUMENT SHALL NOT BE DISCLOSED, IN WHOLE OR PART, TO ANY UNAUTHORIZED PERSON OR ENTITY NOR REPRODUCED, TRANSFERRED OR INCORPORATED IN ANY OTHER PROJECT IN ANY MANNER WITHOUT THE EXPRESS WRITTEN CONSENT OF SAMTEC, INC.</p>		
	<p>520 PARK EAST BLVD, NEW ALBANY, IN 47150 PHONE: 812-944-6733 FAX: 812-948-5047 e-Mail info@SAMTEC.com code 53322</p>	
<p>DO NOT SCALE DRAWING SHEET SCALE: 3:1</p> <p>MATERIAL: INSULATOR: LCP, COLOR: NATURAL TERMINAL: COPPER ALLOY PLATING: CONTACT AREA: .00010" GOLD OVER .000050" NICKEL REMAINDER: .000200" REF TIN OVER .000050" NICKEL</p> <p>F:\DWG\MISC\MKTG\ASP-214802-01-MKT.SLDDRW</p>	<p>DESCRIPTION: CUSTOM COM HPC MALE ASSEMBLY</p> <p>DWG. NO. <b>ASP-214802-01</b></p>	
<p>BY: R CURRY</p>	<p>10/17/2019</p>	<p>SHEET 1 OF 2</p>



**PROCESSING VIEW**  
DIMENSION INDICATES CONNECTOR/FIXTURE HEIGHT ON PCB TO GUARANTEE ENOUGH REFLOW OVEN WORKING SPACE. DIMENSION, PCB THICKNESS, AND THE HEIGHT OF THE COMPONENTS ON THE OTHER SIDE OF THE BOARD NEED TO BE CONSIDERED.



**RECOMMENDED STENCIL LAYOUT**  
ALL DIMENSIONS SYMMETRIC ABOUT CENTERLINE  
(STENCIL TO BE 0.125 [.0050] THICK)

<p><b>PROPRIETARY NOTE</b></p> <p>THIS DOCUMENT CONTAINS CONFIDENTIAL AND PROPRIETARY INFORMATION AND ALL DESIGN, MANUFACTURING, REPRODUCTION, USE, PATENT RIGHTS AND SALES RIGHTS ARE EXPRESSLY RESERVED BY SAMTEC, INC. THIS DOCUMENT SHALL NOT BE DISCLOSED, IN WHOLE OR PART, TO ANY UNAUTHORIZED PERSON OR ENTITY NOR REPRODUCED, TRANSFERRED OR INCORPORATED IN ANY OTHER PROJECT IN ANY MANNER WITHOUT THE EXPRESS WRITTEN CONSENT OF SAMTEC, INC.</p>	<p><b>samtec</b></p> <p>520 PARK EAST BLVD., NEW ALBANY, IN 47150 PHONE: 812-944-6733 FAX: 812-948-5047 e-Mail: info@SAMTEC.com code 55322</p>		
	<p>DESCRIPTION: CUSTOM COM HPC MALE ASSEMBLY</p>	<p>DWG. NO. <b>ASP-214802-01</b></p>	
<p>SHEET SCALE: 1:1</p>	<p>BY: R CURRY</p>	<p>10/17/2019</p>	<p>SHEET 2 OF 2</p>