

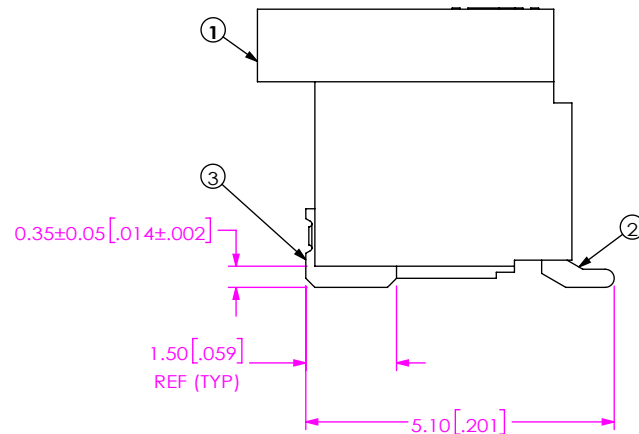
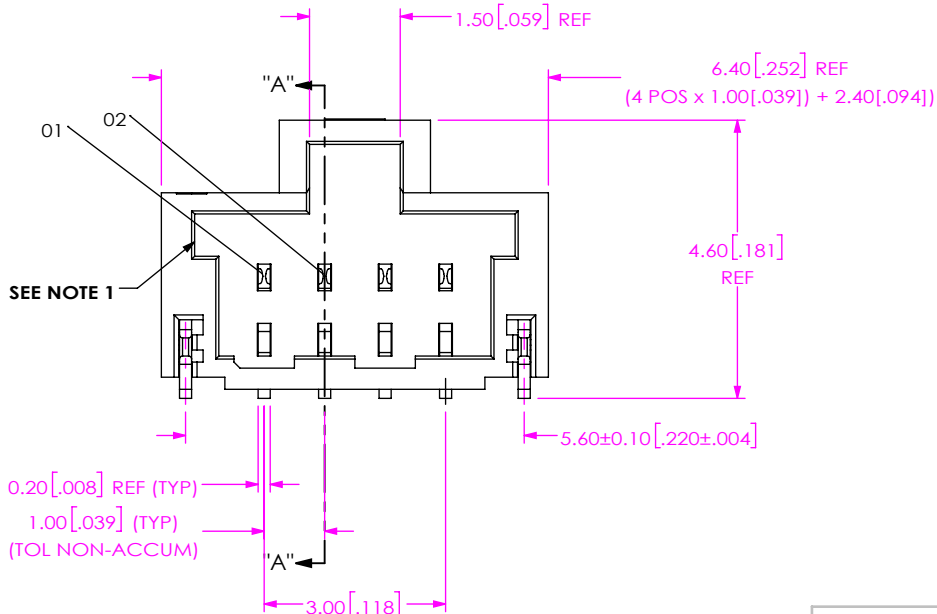
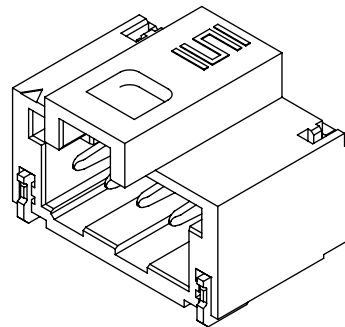
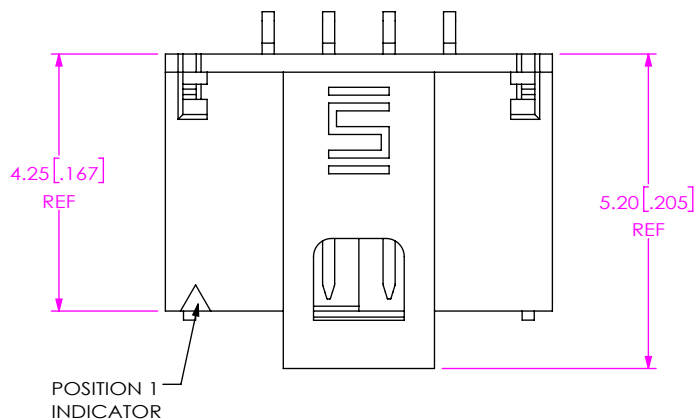
NOTES:

1. BODY COLOR, POLARIZATION OFFSET NOT AVAILABLE AS STANDARD.
2. REPRESENTS A CRITICAL DIMENSION.
3. MINIMUM PUSHOUT FORCE: 2.22N[.5 LB] FOR SIGNAL AND WELD TAB.
4. COPLANARITY MEASUREMENT INCLUDES WT'S.
5. PARTS TO BE PACKAGED IN TAPE AND REEL.

DO NOT SCALE FROM THIS PRINT

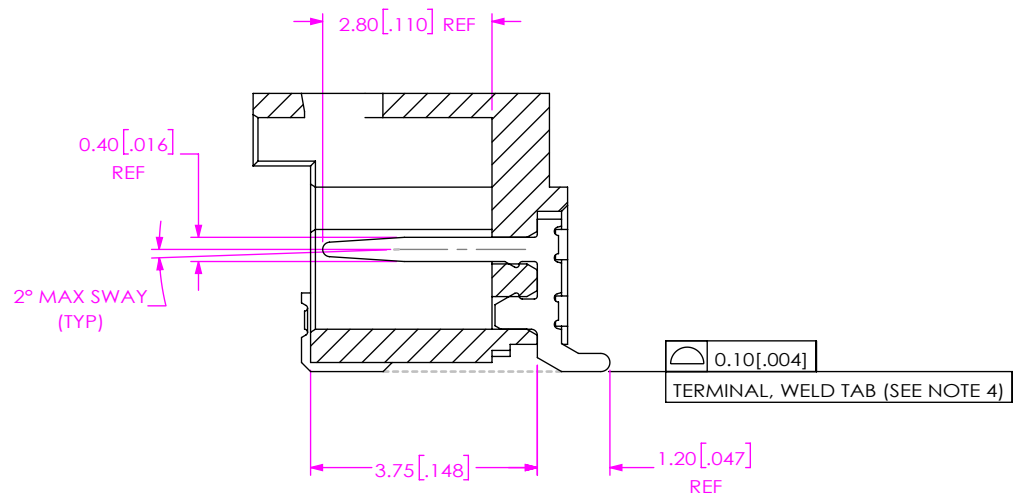
ANY REV MADE TO THIS PRINT MUST HAVE AN UPDATED MKT PRINT

DESIGNED & DIMENSIONED IN MILLIMETERS [INCHES]

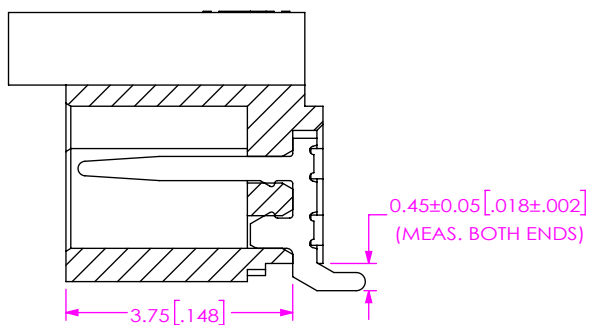


ITEM NO.	PART NUMBER	QUANTITY	MATERIAL
1	ASP-217717-01-B	1.0000	VECTRA E130i, COLOR: ORANGE
2	T-1M123-02-F	4.0000	PHOS BRONZE
3	WT-68-02-T	2.0000	PHOS BRONZE
4	CT-T1M038MS	.00105	CONDUCTIVE POLYMER

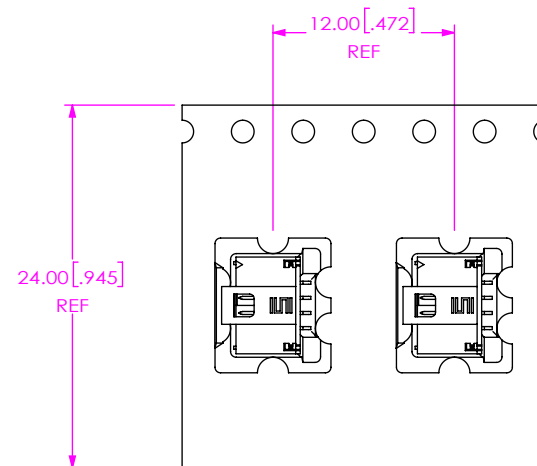
<p>UNLESS OTHERWISE SPECIFIED, DIMENSIONS ARE IN MILLIMETERS.</p> <p>TOLERANCES ARE:</p> <table border="0"> <tr> <td>DECIMALS</td> <td>ANGLES</td> </tr> <tr> <td>X.X: ±0.3 [.01]</td> <td>2°</td> </tr> <tr> <td>X.XX: ±0.13 [.005]</td> <td></td> </tr> <tr> <td>X.XXX: ±0.051 [.0020]</td> <td></td> </tr> </table>	DECIMALS	ANGLES	X.X: ±0.3 [.01]	2°	X.XX: ±0.13 [.005]		X.XXX: ±0.051 [.0020]		<p><b>PROPRIETARY NOTE</b></p> <p>THIS DOCUMENT CONTAINS CONFIDENTIAL AND PROPRIETARY INFORMATION AND ALL DESIGN, MANUFACTURING, REPRODUCTION, USE, PATENT RIGHTS AND SALES RIGHTS ARE EXPRESSLY RESERVED BY SAMTEC, INC. THIS DOCUMENT SHALL NOT BE DISCLOSED, IN WHOLE OR PART, TO ANY UNAUTHORIZED PERSON OR ENTITY NOR REPRODUCED, TRANSFERRED OR INCORPORATED IN ANY OTHER PROJECT IN ANY MANNER WITHOUT THE EXPRESS WRITTEN CONSENT OF SAMTEC, INC.</p>	<p>520 PARK EAST BLVD, NEW ALBANY, IN 47150                  PHONE: 812-944-6733 FAX: 812-948-5047                  e-Mail: info@SAMTEC.com code 55322</p>
	DECIMALS	ANGLES								
X.X: ±0.3 [.01]	2°									
X.XX: ±0.13 [.005]										
X.XXX: ±0.051 [.0020]										
<p>DO NOT SCALE DRAWING SHEET SCALE: 8:1</p> <p>PLATING:                  CONTACTS:                  CONTACT AREA: .000003" GOLD OVER .000050" NICKEL                  REMAINDER: .000200" TIN OVER .000050" NICKEL                  WELD TABS:                  ENTIRE PIN: .000200" REF TIN OVER .000050" NICKEL</p>	<p>DESCRIPTION:                  MODIFIED T1M ASSEMBLY</p> <p>DWG. NO.                  ASP-217716-01</p>									
<p>BY: J. BROWNING 05/07/2020</p>		<p>SHEET 1 OF 2</p>								



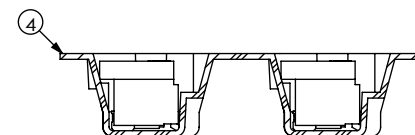
SECTION "A"-"A"



IN-PROCESS 1



USER DIRECTION OF UN-REELING →  
POCKET NOT DETAILED



PACKAGING VIEW

**PROPRIETARY NOTE**  
THIS DOCUMENT CONTAINS CONFIDENTIAL AND PROPRIETARY INFORMATION AND ALL DESIGN, MANUFACTURING, REPRODUCTION, USE, PATENT RIGHTS AND SALES RIGHTS ARE EXPRESSLY RESERVED BY SAMTEC, INC. THIS DOCUMENT SHALL NOT BE DISCLOSED, IN WHOLE OR PART, TO ANY UNAUTHORIZED PERSON OR ENTITY NOR REPRODUCED, TRANSFERRED OR INCORPORATED IN ANY OTHER PROJECT IN ANY MANNER WITHOUT THE EXPRESS WRITTEN CONSENT OF SAMTEC, INC.



520 PARK EAST BLVD, NEW ALBANY, IN 47150  
PHONE: 812-944-6733 FAX: 812-948-5047  
e-Mail info@SAMTEC.com code 55322

SHEET SCALE: 8:1

DESCRIPTION:  
MODIFIED T1M ASSEMBLY

DWG. NO.  
ASP-217716-01

BY: J. BROWNING 05/07/2020 SHEET 2 OF 2