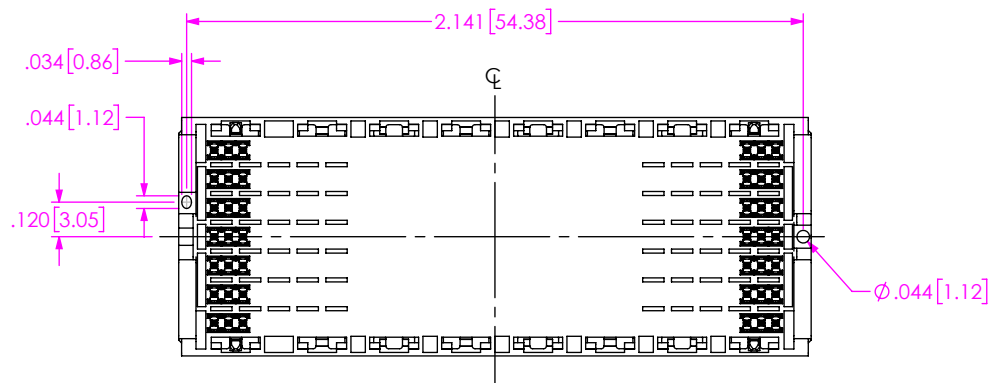
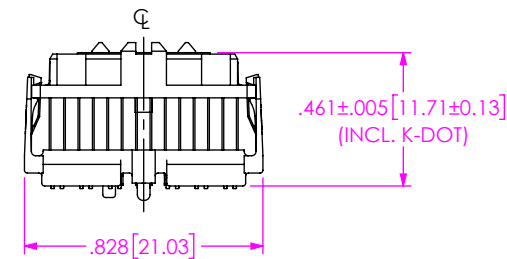
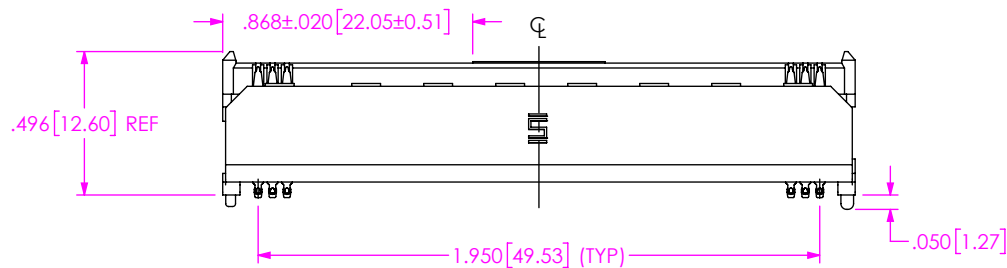
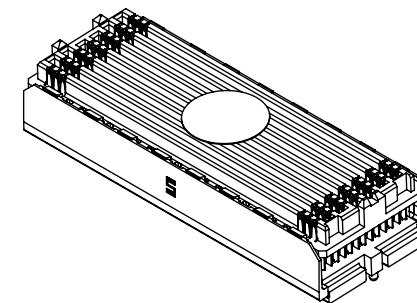
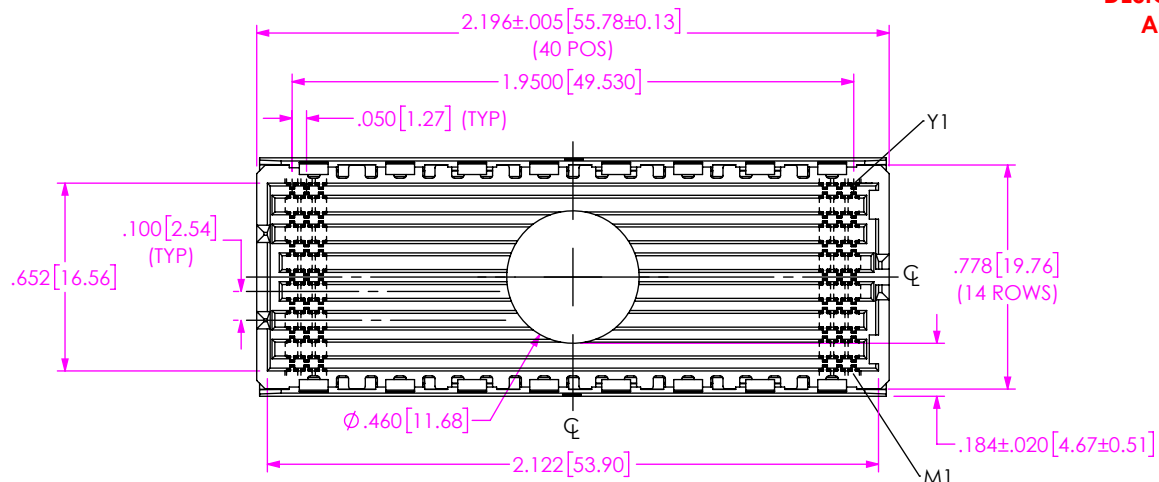


DO NOT
SCALE FROM
THIS PRINT


DESIGNED AND DIMENSIONED IN INCHES[MILLIMETERS]
ALL DIMENSIONS REFERENCE EXCEPT AS SHOWN

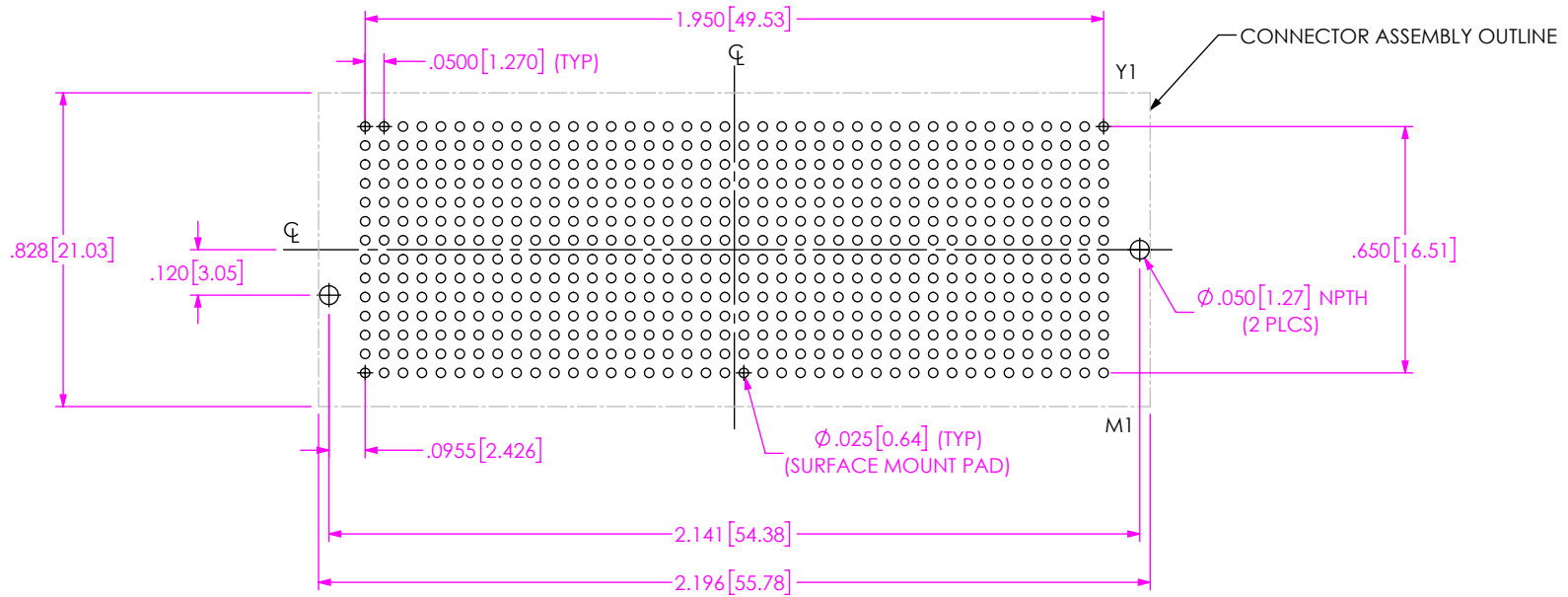


NOTES:

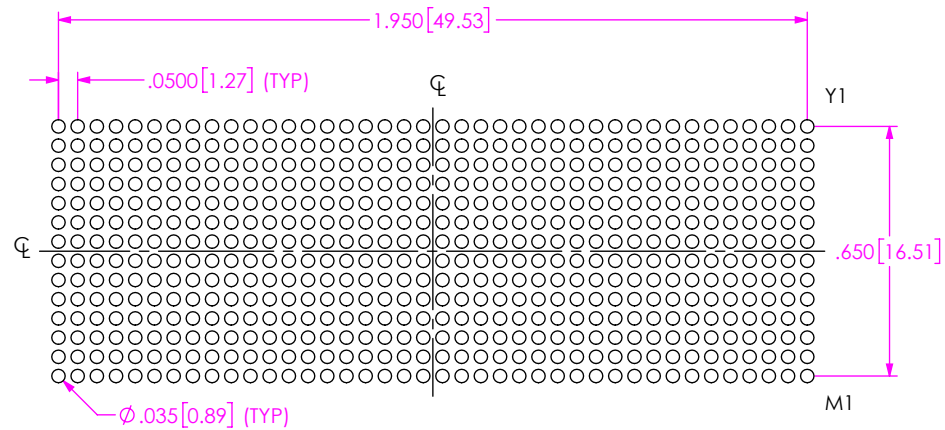
1. VITA 57.4 14 ROWS ARE NOT AVAILABLE FOR -09.0 HEIGHT.
2. TAPE & REEL IS STANDARD PACKAGING.
3. ORDERS WILL BE PACKAGED ACCORDING TO THE SAMTEC PACKAGING EFFICIENCY STANDARDS (SPES) FOUND ON WWW.SAMTEC.COM.
4. ATTACH LABEL "SEAX-0001" TO EACH TAPE & REEL PACKAGE.

c:\enterprise\vaull\DWG\MISC\MKTG\ASP-218650-01-MKT.SLDDRW

<p>PROPRIETARY NOTE</p> <p>THIS DOCUMENT CONTAINS CONFIDENTIAL AND PROPRIETARY INFORMATION AND ALL DESIGN, MANUFACTURING, REPRODUCTION, USE, PATENT RIGHTS AND SALES RIGHTS ARE EXPRESSLY RESERVED BY SAMTEC, INC. THIS DOCUMENT SHALL NOT BE DISCLOSED, IN WHOLE OR PART, TO ANY UNAUTHORIZED PERSON OR ENTITY NOR REPRODUCED, TRANSFERRED OR INCORPORATED IN ANY OTHER PROJECT IN ANY MANNER WITHOUT THE EXPRESS WRITTEN CONSENT OF SAMTEC, INC.</p>	 <p>520 PARK EAST BLVD, NEW ALBANY, IN 47150 PHONE: 812-944-6733 FAX: 812-948-5047 e-Mail info@SAMTEC.com code 55322</p>		
	<p>DO NOT SCALE DRAWING SHEET SCALE: 3:2 INSULATOR: LCP, COLOR: BLACK TERMINAL: COPPER ALLOY</p>	<p>DESCRIPTION: MODIFIED SEAM ASSEMBLY</p>	
<p>PLATING: CONTACT AREA: .000050 REF GOLD TAIL AREA: .000100 REF TIN/LEAD</p>	<p>DWG. NO. ASP-218650-01</p>		
	<p>BY: ETHAN C</p>	<p>07/27/2020</p>	<p>SHEET 1 OF 2</p>



RECOMMENDED PCB LAYOUT



RECOMMENDED STENCIL LAYOUT

- NOTES:
1. ALL DIMENSIONS ARE SYMMETRIC ABOUT THE CENTERLINE.
 2. STENCIL TO BE .0060 [.152] THICK.

<p>PROPRIETARY NOTE</p> <p>THIS DOCUMENT CONTAINS CONFIDENTIAL AND PROPRIETARY INFORMATION AND ALL DESIGN, MANUFACTURING, REPRODUCTION, USE, PATENT RIGHTS AND SALES RIGHTS ARE EXPRESSLY RESERVED BY SAMTEC, INC. THIS DOCUMENT SHALL NOT BE DISCLOSED, IN WHOLE OR PART, TO ANY UNAUTHORIZED PERSON OR ENTITY NOR REPRODUCED, TRANSFERRED OR INCORPORATED IN ANY OTHER PROJECT IN ANY MANNER WITHOUT THE EXPRESS WRITTEN CONSENT OF SAMTEC, INC.</p>	<p>samtec</p> <p>520 PARK EAST BLVD, NEW ALBANY, IN 47150 PHONE: 812-944-6733 FAX: 812-948-5047 e-Mail: info@SAMTEC.com code 55322</p>	
	<p>SHEET SCALE: 1:1 DO NOT SCALE DRAWING</p>	<p>DESCRIPTION: MODIFIED SEAM ASSEMBLY</p>
<p>DWG. NO. ASP-218650-01</p>		<p>BY: ETHAN C</p>
<p>c:\enterprise\vaulf\DWG\MISC\MKTG\ASP-218650-01-MKT.SLDDRW</p>		<p>07/27/2020 SHEET 2 OF 2</p>