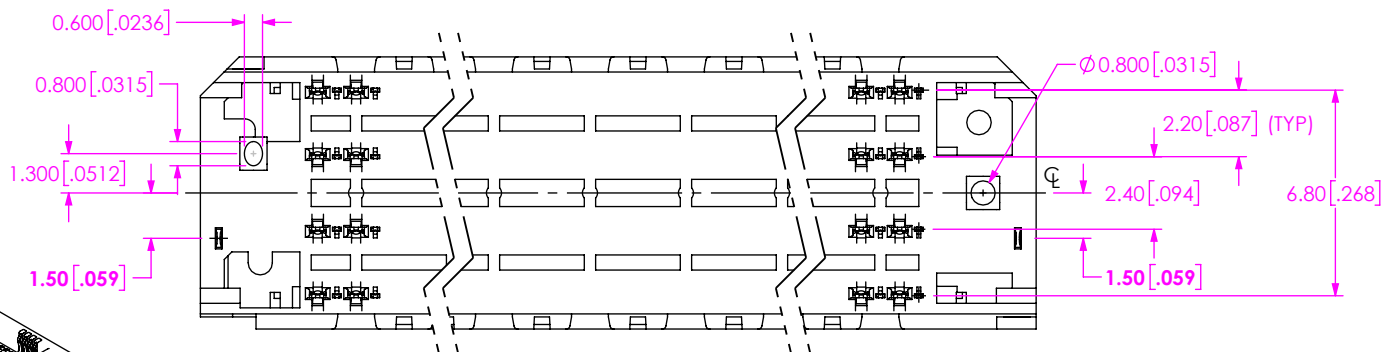
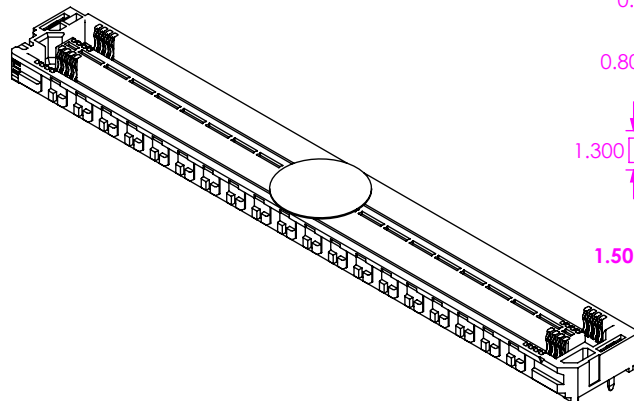
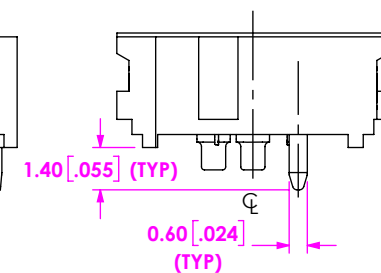
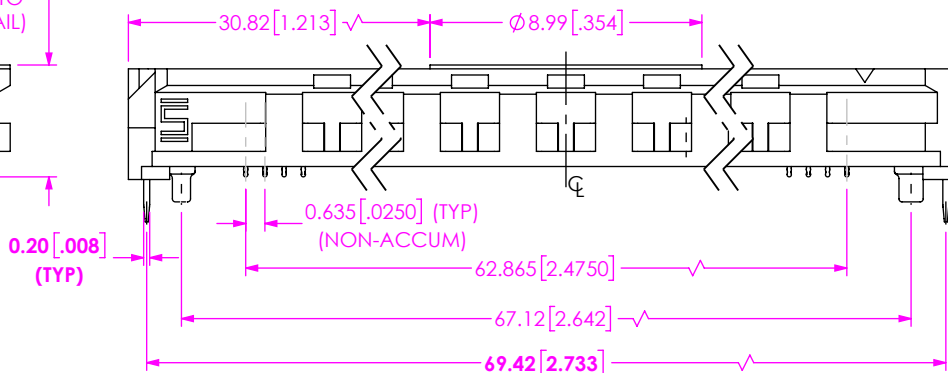
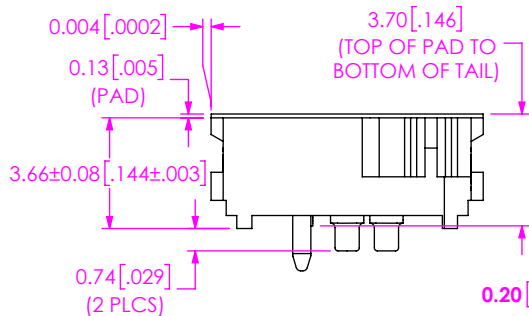
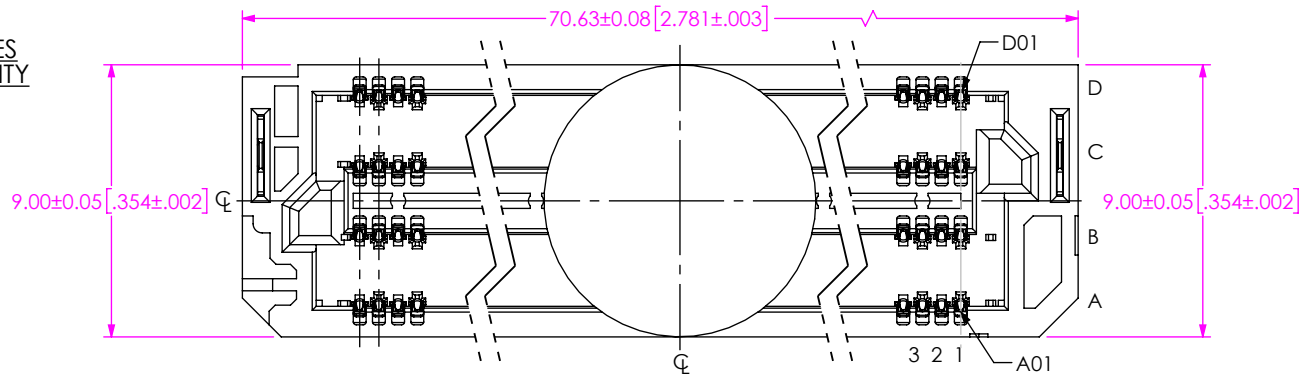


DO NOT SCALE FROM THIS PRINT

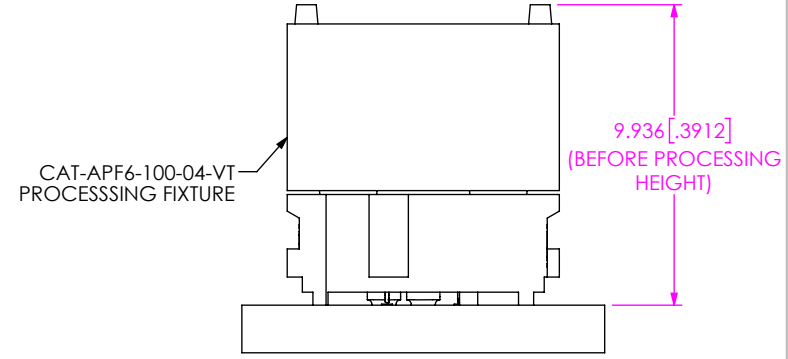
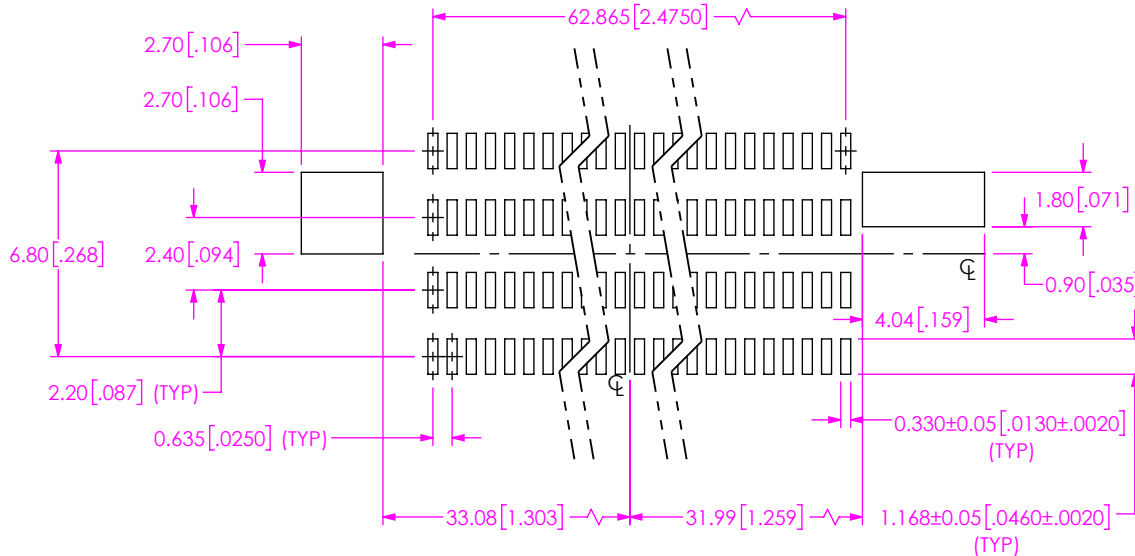
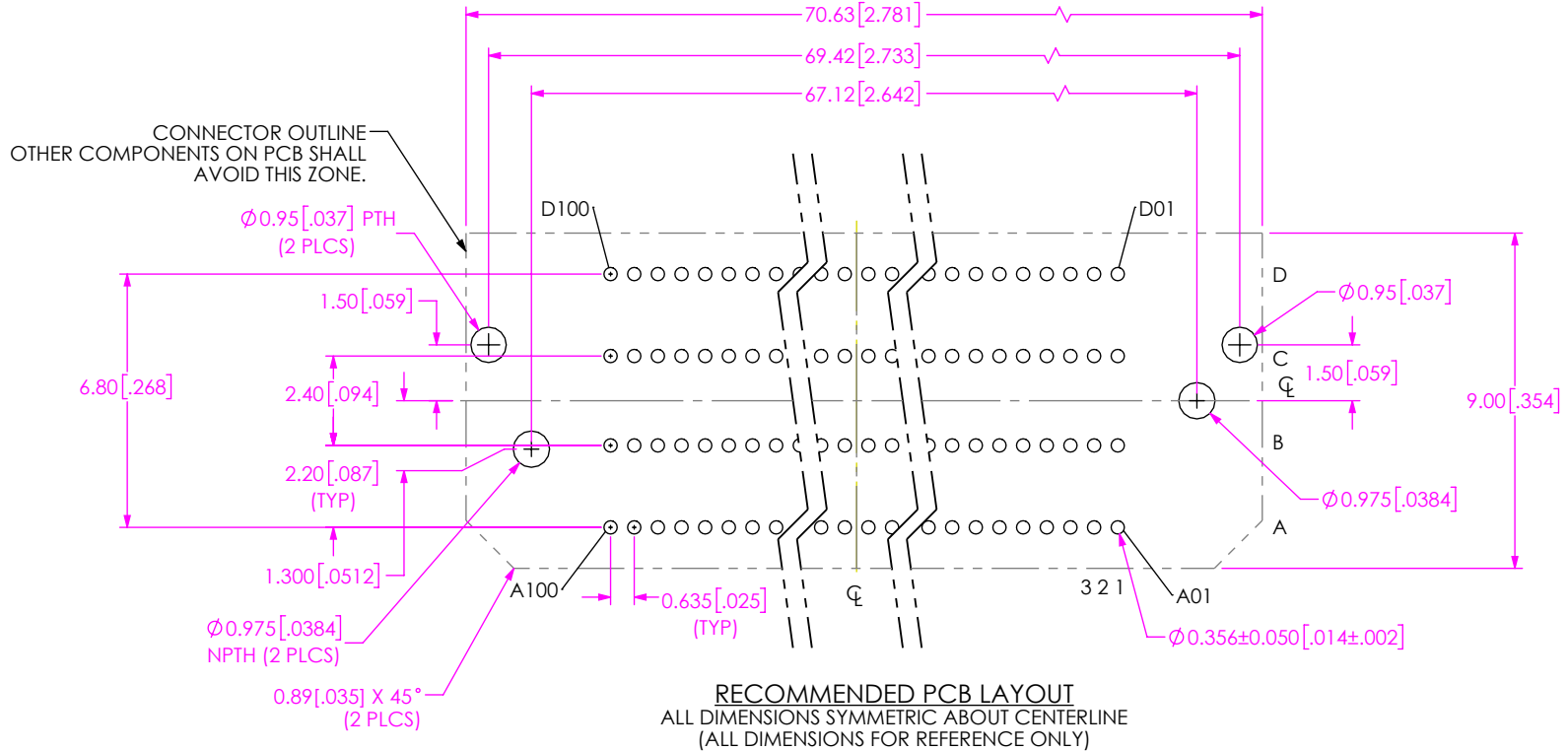
SOME CENTER FEATURES NOT SHOWN FOR CLARITY



- NOTES:
1. MINIMUM PUSH OUT FORCE 1.6N FOR TERMINALS. MINIMUM RETENTION FORCE 4.45N FOR WELD TAB.
 2. SEE SHT 2 FOR PROCESSING INFORMATION.
 3. PARTS TO BE PACKAGED IN TAPE & REEL.
 4. ATTACH LABEL -4X2 TO EACH REEL.
 5. ORDERS WILL BE PACKAGED ACCORDING TO THE SAMTEC PACKAGING EFFICIENCY STANDARDS (SPES) FOUND ON WWW.SAMTEC.COM.

FIG 1
(ASP-230332-03 SHOWN)

<p>PROPRIETARY NOTE</p> <p>THIS DOCUMENT CONTAINS CONFIDENTIAL AND PROPRIETARY INFORMATION AND ALL DESIGN, MANUFACTURING, REPRODUCTION, USE, PATENT RIGHTS AND SALES RIGHTS ARE EXPRESSLY RESERVED BY SAMTEC, INC. THIS DOCUMENT SHALL NOT BE DISCLOSED, IN WHOLE OR PART, TO ANY UNAUTHORIZED PERSON OR ENTITY NOR REPRODUCED, TRANSFERRED OR INCORPORATED IN ANY OTHER PROJECT IN ANY MANNER WITHOUT THE EXPRESS WRITTEN CONSENT OF SAMTEC, INC.</p>		<p>520 PARK EAST BLVD, NEW ALBANY, IN 47150 PHONE: 812-944-6733 FAX: 812-948-5047 e-Mail: info@SAMTEC.COM code 53322</p>
<p>DO NOT SCALE DRAWING SHEET SCALE: 4:1</p> <p>MATERIAL: INSULATOR: VECTRA 5475. COLOR: NATURAL CONTACT: COPPER ALLOY WELD TAB: COPPER ALLOY</p>	<p>DESCRIPTION: CUSTOM COM HPC FEMALE ASSEMBLY</p>	
<p>PLATING: CONTACT: .000010" REF GOLD REMAINDER: .000200" REF TIN WELD TAB: ENTIRE PIN: .000200" REF TIN</p>	<p>DWG. NO. ASP-230332-03</p>	<p>BY: DOLBEARE K 10/23/2023 SHEET 1 OF 9</p>



PROPRIETARY NOTE
THIS DOCUMENT CONTAINS CONFIDENTIAL AND PROPRIETARY INFORMATION AND ALL DESIGN, MANUFACTURING, REPRODUCTION, USE, PATENT RIGHTS AND SALES RIGHTS ARE EXPRESSLY RESERVED BY SAMTEC, INC. THIS DOCUMENT SHALL NOT BE DISCLOSED, IN WHOLE OR PART, TO ANY UNAUTHORIZED PERSON OR ENTITY NOR REPRODUCED, TRANSFERRED OR INCORPORATED IN ANY OTHER PROJECT IN ANY MANNER WITHOUT THE EXPRESS WRITTEN CONSENT OF SAMTEC, INC.

samtec
520 PARK EAST BLVD, NEW ALBANY, IN 47150
PHONE: 812-944-6733 FAX: 812-948-5047
e-Mail: info@SAMTEC.com code 55322

SHEET SCALE: 2:1

DESCRIPTION:
CUSTOM COM HPC FEMALE ASSEMBLY
DWG. NO.
ASP-230332-03
BY: DOLBEARE K 10/23/2023 SHEET 2 OF 9

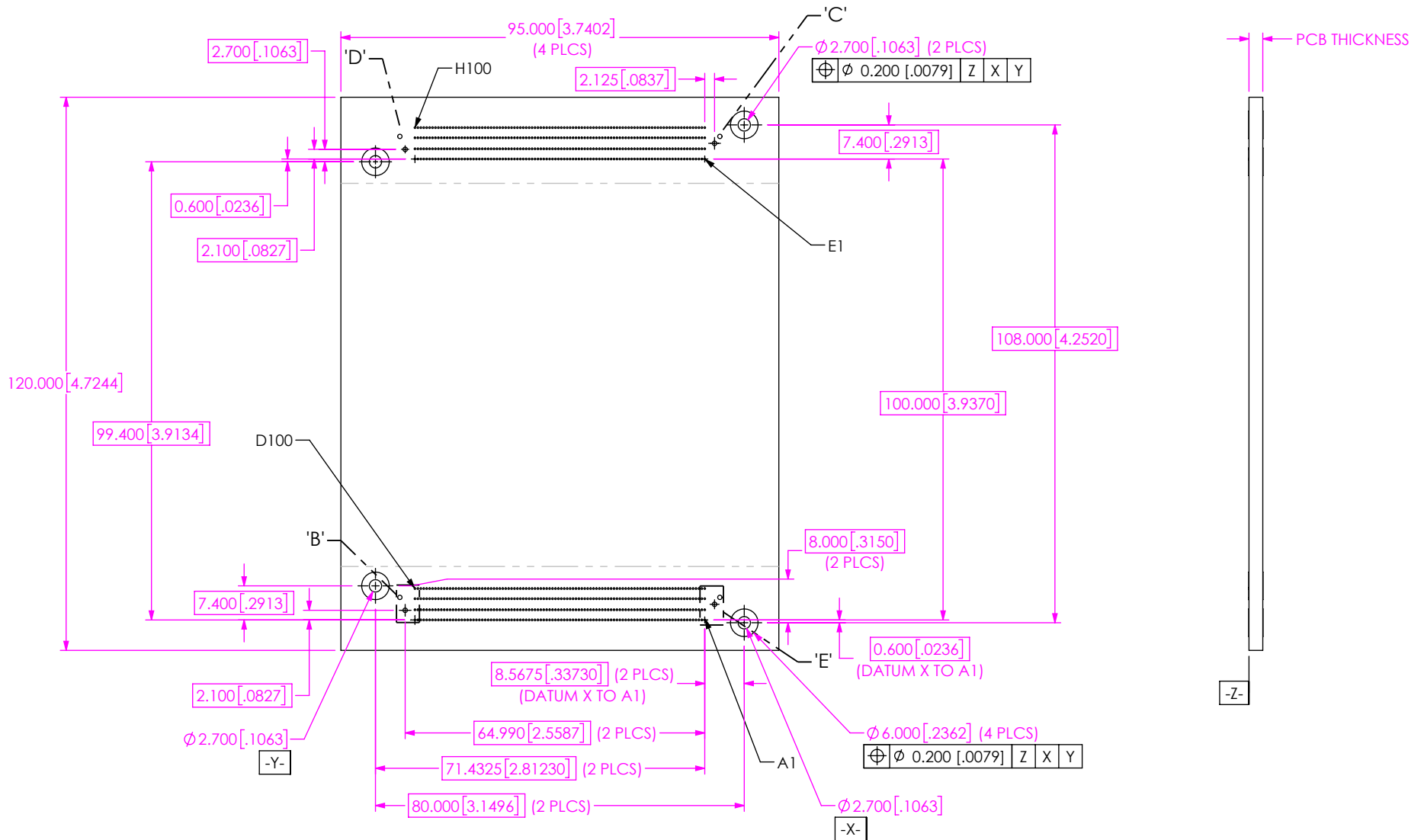
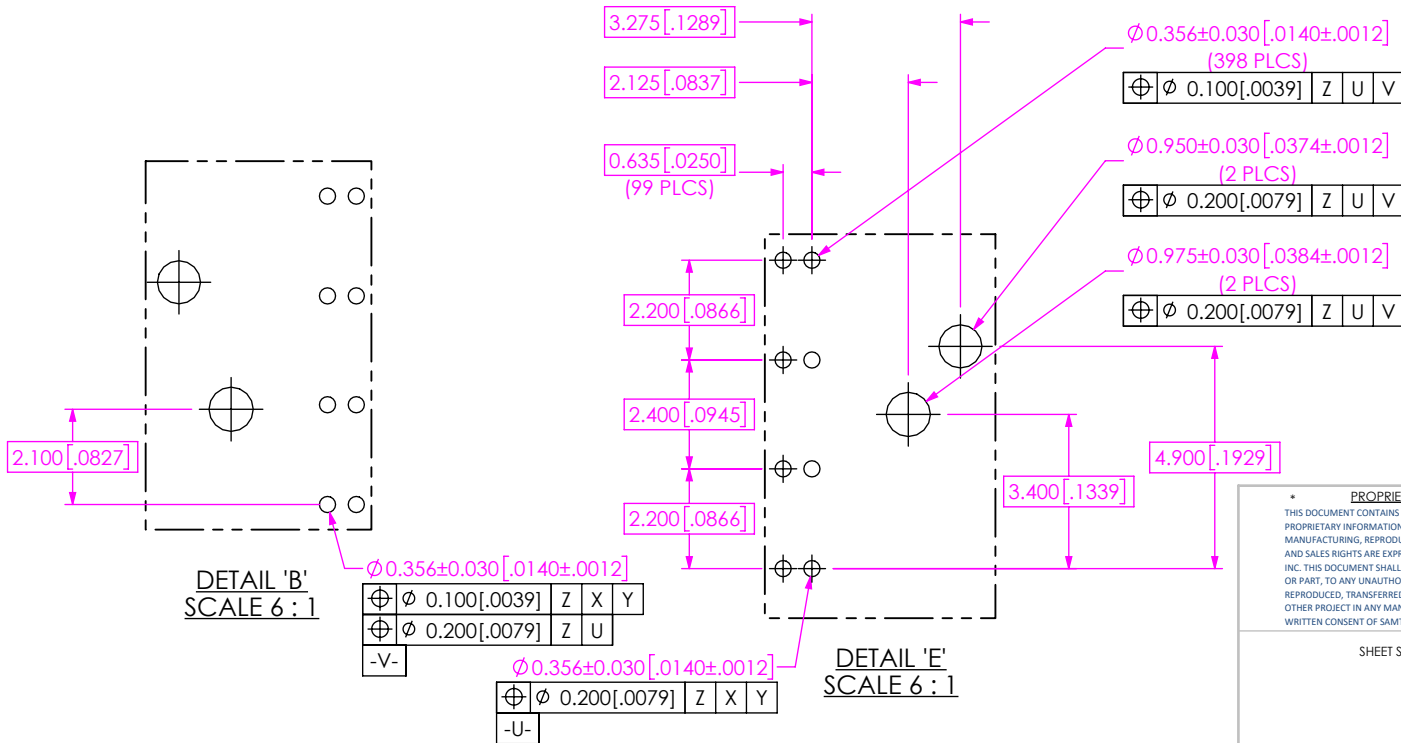
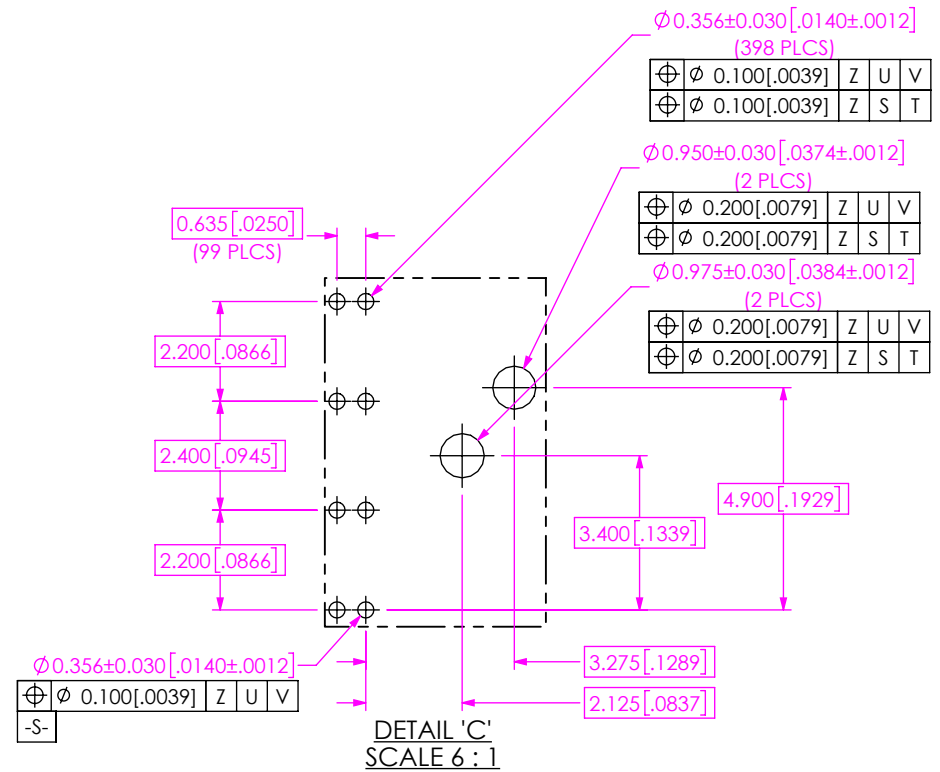
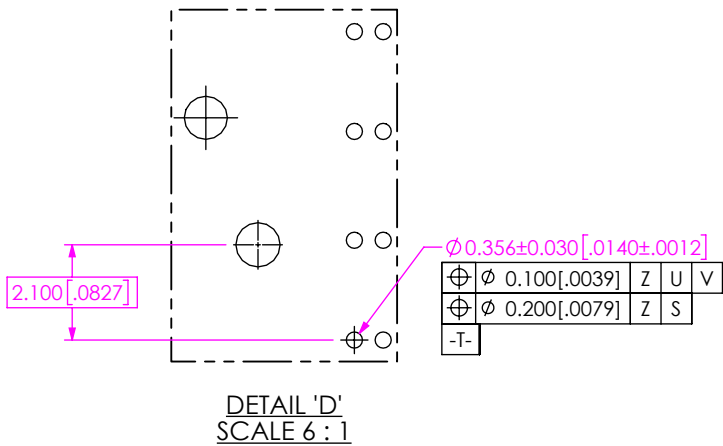


FIG 2
COM-HPC® MODULE SIZE A
((RECOMMENDED PCB LAYOUT FOR COM-HPC®))

c:\enterprisevault\DWG\MISC\MKTG\ASP-230332-03-MKT.SLDDRW

<p>PROPRIETARY NOTE</p> <p>THIS DOCUMENT CONTAINS CONFIDENTIAL AND PROPRIETARY INFORMATION AND ALL DESIGN, MANUFACTURING, REPRODUCTION, USE, PATENT RIGHTS AND SALES RIGHTS ARE EXPRESSLY RESERVED BY SAMTEC, INC. THIS DOCUMENT SHALL NOT BE DISCLOSED, IN WHOLE OR PART, TO ANY UNAUTHORIZED PERSON OR ENTITY NOR REPRODUCED, TRANSFERRED OR INCORPORATED IN ANY OTHER PROJECT IN ANY MANNER WITHOUT THE EXPRESS WRITTEN CONSENT OF SAMTEC, INC.</p>	<p>520 PARK EAST BLVD., NEW ALBANY, IN 47150 PHONE: 812-944-6733 FAX: 812-948-5047 e-Mail info@SAMTEC.com code 55322</p>	
	<p>DESCRIPTION: CUSTOM COM HPC FEMALE ASSEMBLY</p>	<p>DWG. NO. ASP-230332-03</p>
	<p>SHEET SCALE: 2:1</p>	<p>BY: DOLBEARE K 10/23/2023 SHEET 3 OF 9</p>



PROPRIETARY NOTE

THIS DOCUMENT CONTAINS CONFIDENTIAL AND PROPRIETARY INFORMATION AND ALL DESIGN, MANUFACTURING, REPRODUCTION, USE, PATENT RIGHTS AND SALES RIGHTS ARE EXPRESSLY RESERVED BY SAMTEC, INC. THIS DOCUMENT SHALL NOT BE DISCLOSED, IN WHOLE OR PART, TO ANY UNAUTHORIZED PERSON OR ENTITY NOR REPRODUCED, TRANSFERRED OR INCORPORATED IN ANY OTHER PROJECT IN ANY MANNER WITHOUT THE EXPRESS WRITTEN CONSENT OF SAMTEC, INC.

SHEET SCALE: 2:1



520 PARK EAST BLVD., NEW ALBANY, IN 47150
PHONE: 812-944-6733 FAX: 812-948-5047
e-Mail: info@SAMTEC.com code 55322

DESCRIPTION:
CUSTOM COM HPC FEMALE ASSEMBLY

DWG. NO.
ASP-230332-03

BY: DOLBEARE K 10/23/2023 SHEET 4 OF 9

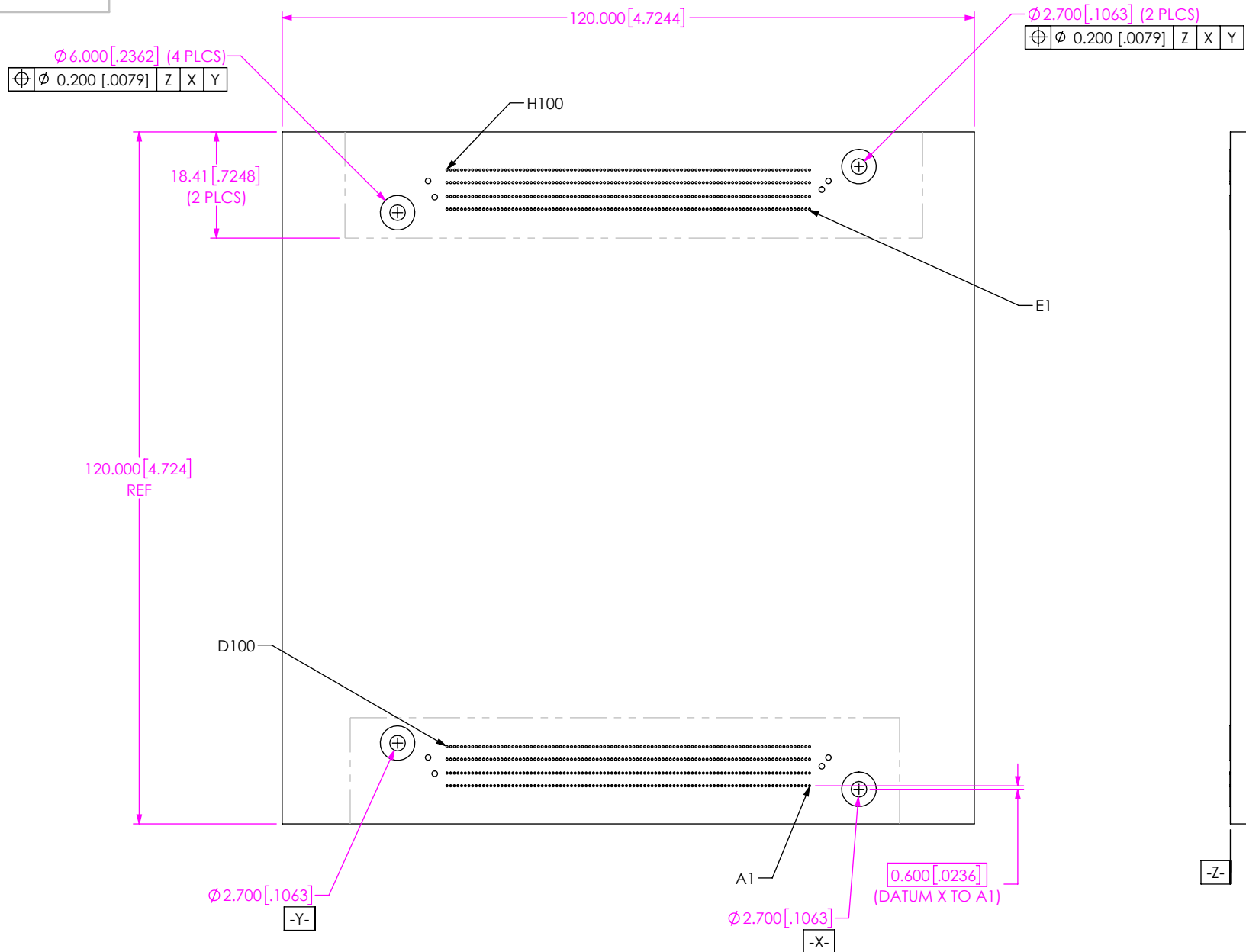


FIG 3
 COM-HPC[®] MODULE SIZE B
 (SAME AS FIG 2, EXCEPT AS SHOWN)
 (RECOMMENDED PCB LAYOUT FOR COM-HPC)

<p>PROPRIETARY NOTE</p> <p>THIS DOCUMENT CONTAINS CONFIDENTIAL AND PROPRIETARY INFORMATION AND ALL DESIGN, MANUFACTURING, REPRODUCTION, USE, PATENT RIGHTS AND SALES RIGHTS ARE EXPRESSLY RESERVED BY SAMTEC, INC. THIS DOCUMENT SHALL NOT BE DISCLOSED, IN WHOLE OR PART, TO ANY UNAUTHORIZED PERSON OR ENTITY NOR REPRODUCED, TRANSFERRED OR INCORPORATED IN ANY OTHER PROJECT IN ANY MANNER WITHOUT THE EXPRESS WRITTEN CONSENT OF SAMTEC, INC.</p>	<p>samtec</p> <p>520 PARK EAST BLVD., NEW ALBANY, IN 47150 PHONE: 812-944-6733 FAX: 812-948-5047 e-Mail info@SAMTEC.com code 55322</p>	
	<p>DESCRIPTION: CUSTOM COM HPC FEMALE ASSEMBLY</p>	<p>DWG. NO. ASP-230332-03</p>
<p>SHEET SCALE: 2:1</p>	<p>BY: DOLBEARE K 10/23/2023 SHEET 5 OF 9</p>	

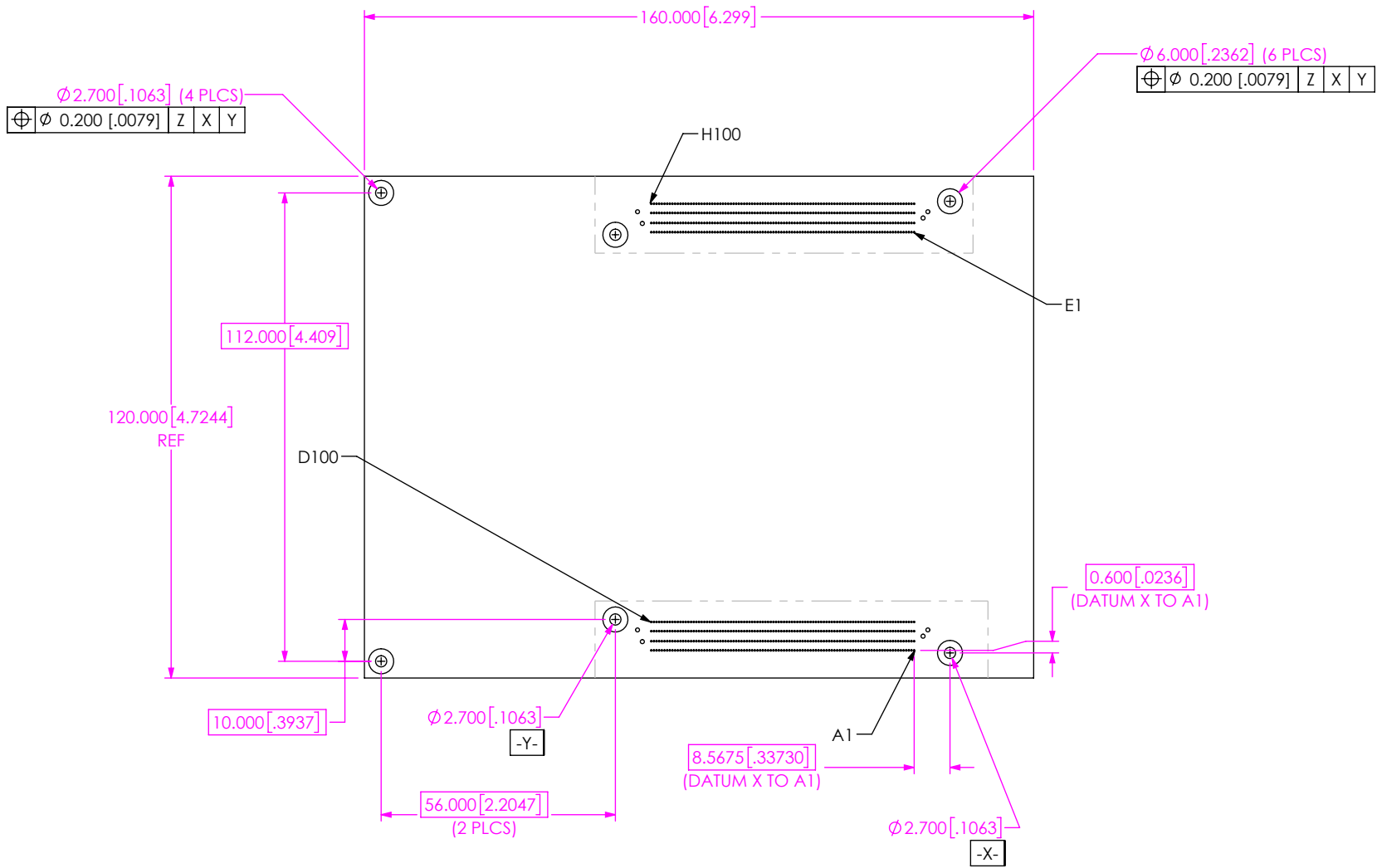


FIG 4
 COM-HPC® MODULE SIZE C
 (SAME AS FIG 2, EXCEPT AS SHOWN)
 (RECOMMENDED PCB LAYOUT FOR COM-HPC®)

<p>PROPRIETARY NOTE</p> <p>THIS DOCUMENT CONTAINS CONFIDENTIAL AND PROPRIETARY INFORMATION AND ALL DESIGN, MANUFACTURING, REPRODUCTION, USE, PATENT RIGHTS AND SALES RIGHTS ARE EXPRESSLY RESERVED BY SAMTEC, INC. THIS DOCUMENT SHALL NOT BE DISCLOSED, IN WHOLE OR PART, TO ANY UNAUTHORIZED PERSON OR ENTITY NOR REPRODUCED, TRANSFERRED OR INCORPORATED IN ANY OTHER PROJECT IN ANY MANNER WITHOUT THE EXPRESS WRITTEN CONSENT OF SAMTEC, INC.</p>	<p>samtec</p> <p>520 PARK EAST BLVD., NEW ALBANY, IN 47150 PHONE: 812-944-6733 FAX: 812-948-5047 e-Mail info@SAMTEC.com code 55322</p>	
	<p>DESCRIPTION: CUSTOM COM HPC FEMALE ASSEMBLY</p>	
	<p>DWG. NO. ASP-230332-03</p>	
<p>SHEET SCALE: 2:1</p>		<p>BY: DOLBEARE K 10/23/2023 SHEET 6 OF 9</p>

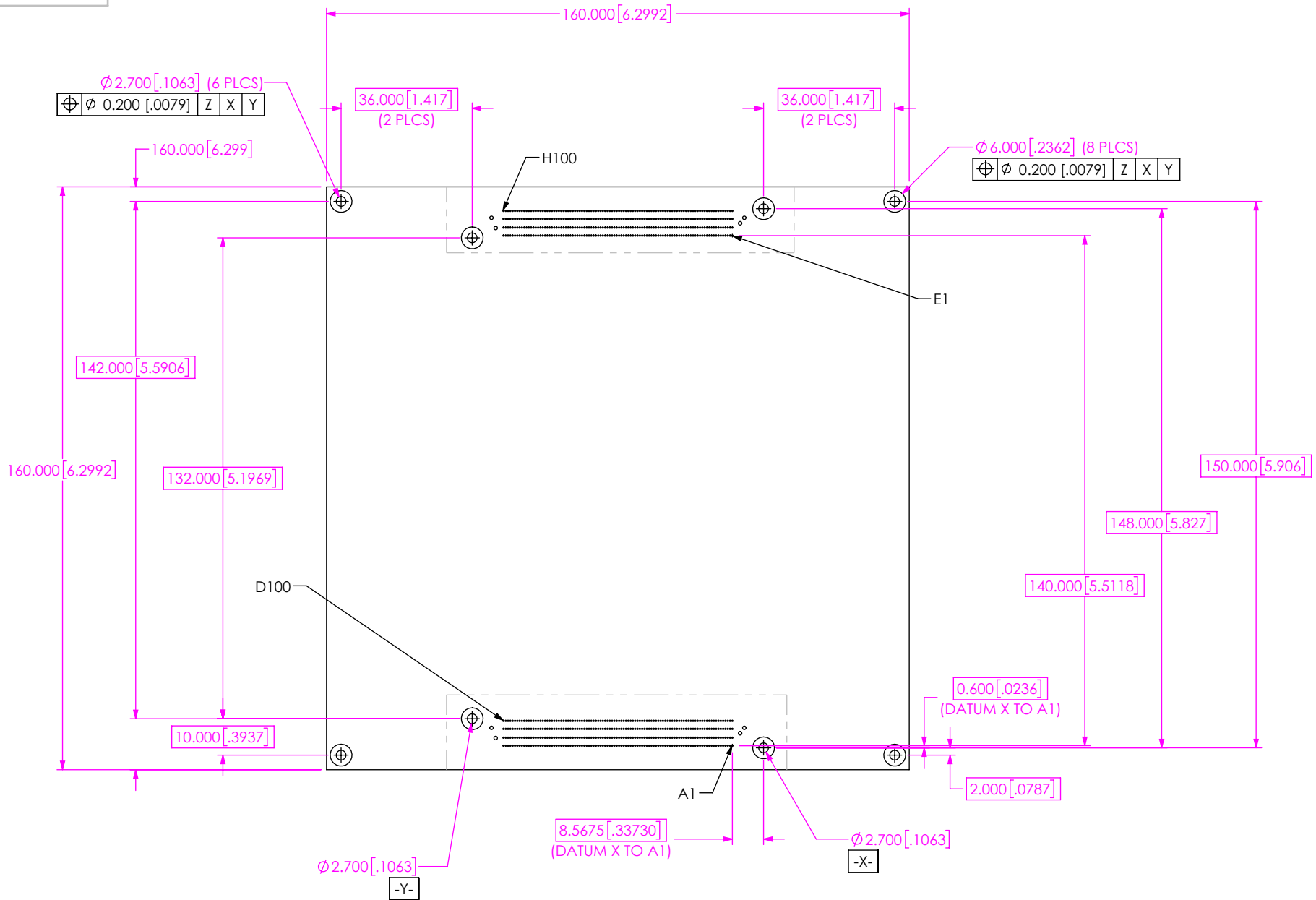


FIG 5
 COM-HPC® MODULE SIZE D
 (SAME AS FIG 2, EXCEPT AS SHOWN)
 (RECOMMENDED PCB LAYOUT FOR COM-HPC®)

PROPRIETARY NOTE
 * THIS DOCUMENT CONTAINS CONFIDENTIAL AND PROPRIETARY INFORMATION AND ALL DESIGN, MANUFACTURING, REPRODUCTION, USE, PATENT RIGHTS AND SALES RIGHTS ARE EXPRESSLY RESERVED BY SAMTEC, INC. THIS DOCUMENT SHALL NOT BE DISCLOSED, IN WHOLE OR PART, TO ANY UNAUTHORIZED PERSON OR ENTITY NOR REPRODUCED, TRANSFERRED OR INCORPORATED IN ANY OTHER PROJECT IN ANY MANNER WITHOUT THE EXPRESS WRITTEN CONSENT OF SAMTEC, INC.



520 PARK EAST BLVD, NEW ALBANY, IN 47150
 PHONE: 812-944-6733 FAX: 812-948-5047
 e-Mail info@SAMTEC.com code 55322

SHEET SCALE: 2:1

DESCRIPTION:
 CUSTOM COM HPC FEMALE ASSEMBLY

DWG. NO.
ASP-230332-03

BY: DOLBEARE K 10/23/2023 SHEET 7 OF 9

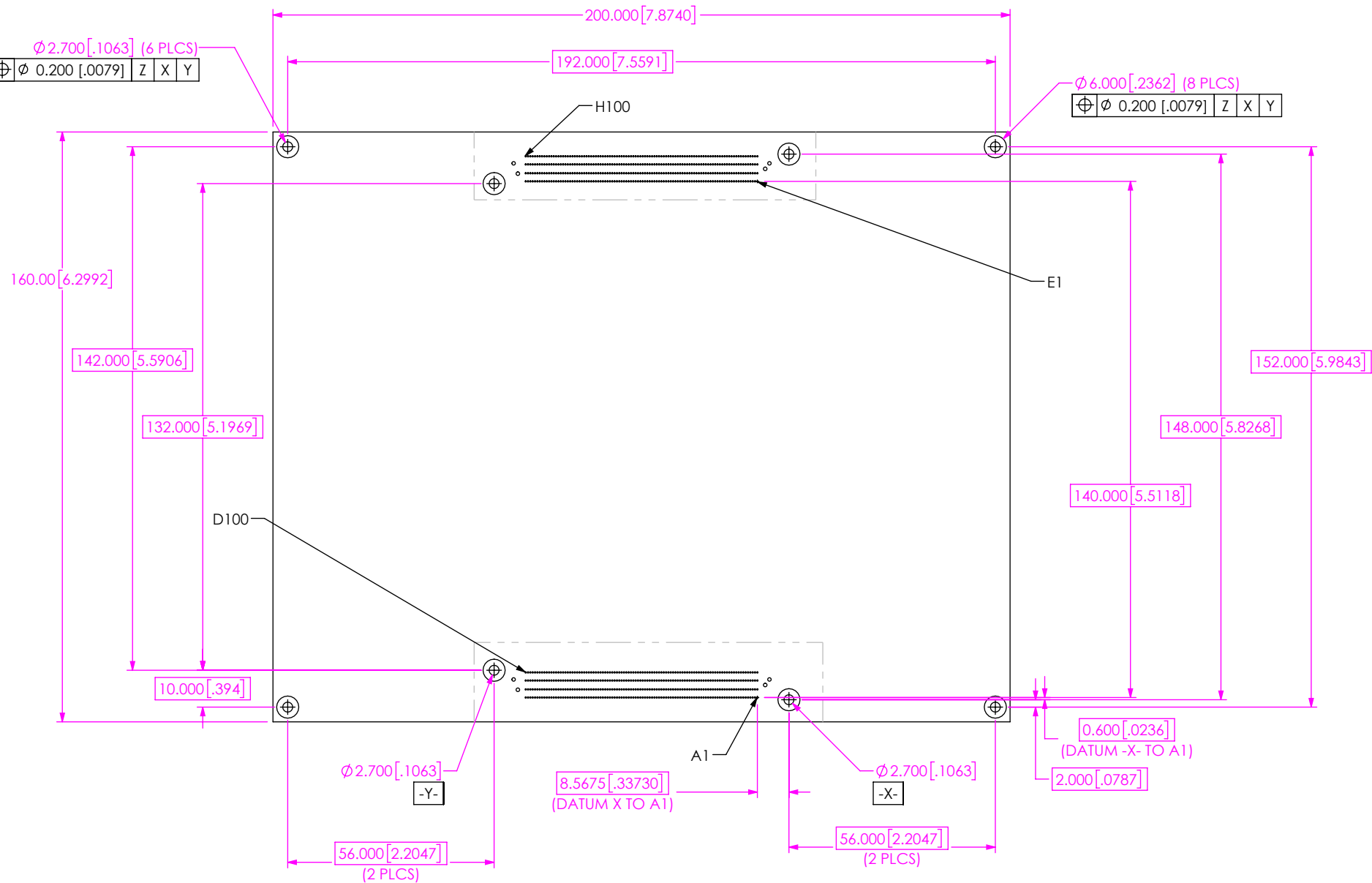


FIG 6
 COM-HPC® MODULE SIZE E
 (SAME AS FIG 2, EXCEPT AS SHOWN)
 (RECOMMENDED PCB LAYOUT FOR COM-HPC®)

c:\enterprise\aut\DWG\MISC\MKTG\ASP-230332-03-MKT.SLDDRW

<p>PROPRIETARY NOTE</p> <p>THIS DOCUMENT CONTAINS CONFIDENTIAL AND PROPRIETARY INFORMATION AND ALL DESIGN, MANUFACTURING, REPRODUCTION, USE, PATENT RIGHTS AND SALES RIGHTS ARE EXPRESSLY RESERVED BY SAMTEC, INC. THIS DOCUMENT SHALL NOT BE DISCLOSED, IN WHOLE OR PART, TO ANY UNAUTHORIZED PERSON OR ENTITY NOR REPRODUCED, TRANSFERRED OR INCORPORATED IN ANY OTHER PROJECT IN ANY MANNER WITHOUT THE EXPRESS WRITTEN CONSENT OF SAMTEC, INC.</p>	<p>520 PARK EAST BLVD, NEW ALBANY, IN 47150 PHONE: 812-944-6733 FAX: 812-948-5047 e-Mail info@SAMTEC.com code 55322</p>
	<p>DESCRIPTION: CUSTOM COM HPC FEMALE ASSEMBLY</p>
	<p>DWG. NO. ASP-230332-03</p>
<p>SHEET SCALE: 2:1</p>	<p>BY: DOLBEARE K 10/23/2023 SHEET 8 OF 9</p>

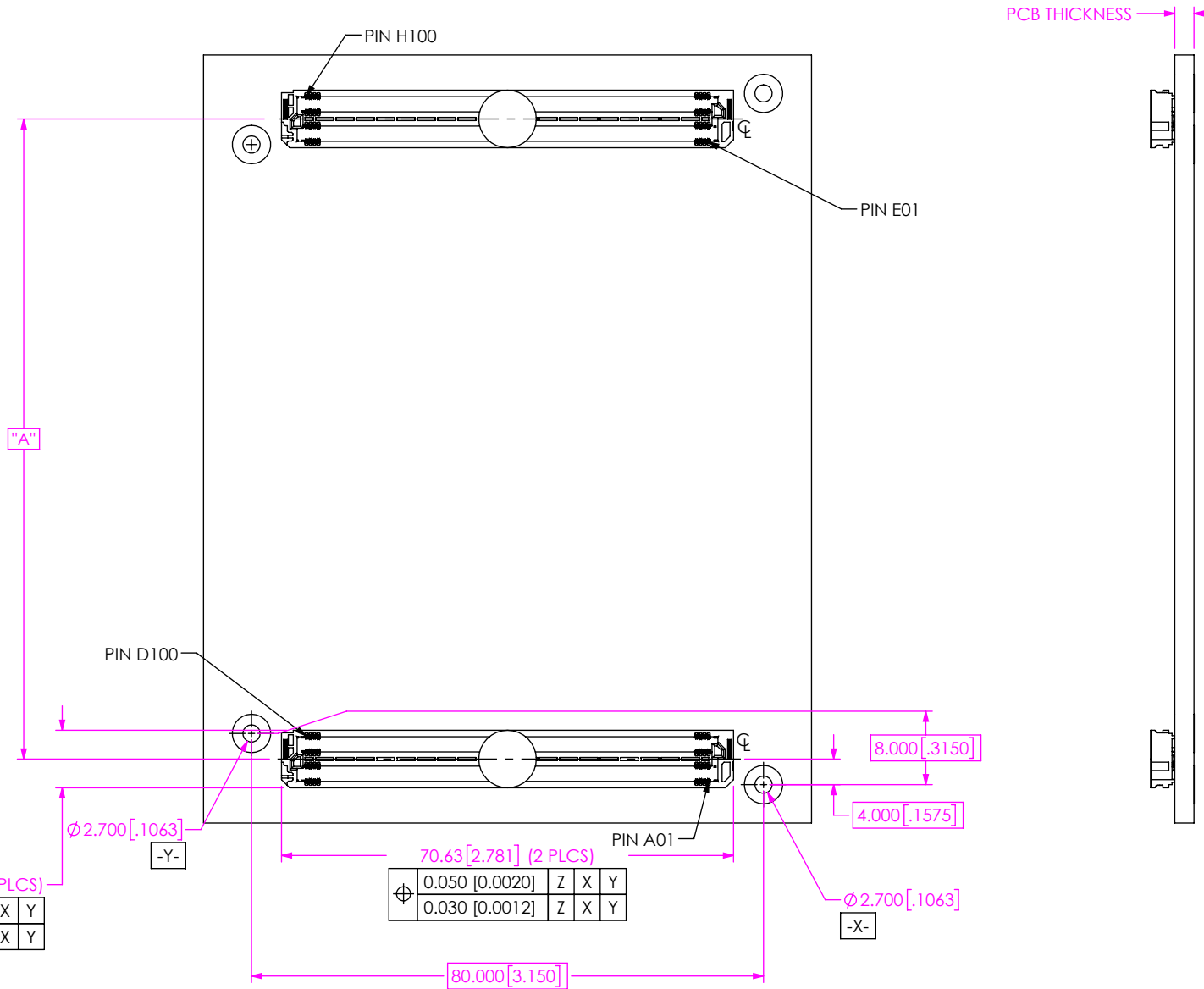


FIG 7
COM-HPC® ASSEMBLY APPLICATION (SIZE A)
(RECOMMENDED ASP-230332-03 LAYOUT FOR COM-HPC®)

⊕	9.00 [.354] (2 PLCS)			
	0.050 [0.0020]	Z	X	Y
	0.030 [0.0012]	Z	X	Y

⊕	70.63 [2.781] (2 PLCS)			
	0.050 [0.0020]	Z	X	Y
	0.030 [0.0012]	Z	X	Y

COM-HPC® MODULE	"A"
SIZE A	100.000 [3.937]
SIZE B	100.000 [3.937]
SIZE C	100.000 [3.937]
SIZE D	140.000 [5.512]
SIZE E	140.000 [5.512]

PROPRIETARY NOTE
THIS DOCUMENT CONTAINS CONFIDENTIAL AND PROPRIETARY INFORMATION AND ALL DESIGN, MANUFACTURING, REPRODUCTION, USE, PATENT RIGHTS AND SALES RIGHTS ARE EXPRESSLY RESERVED BY SAMTEC, INC. THIS DOCUMENT SHALL NOT BE DISCLOSED, IN WHOLE OR PART, TO ANY UNAUTHORIZED PERSON OR ENTITY NOR REPRODUCED, TRANSFERRED OR INCORPORATED IN ANY OTHER PROJECT IN ANY MANNER WITHOUT THE EXPRESS WRITTEN CONSENT OF SAMTEC, INC.

SHEET SCALE: 2:1

samtec
520 PARK EAST BLVD, NEW ALBANY, IN 47150
PHONE: 812-944-6733 FAX: 812-948-5047
e-Mail info@SAMTEC.com code 55322

DESCRIPTION:
CUSTOM COM HPC FEMALE ASSEMBLY

DWG. NO. **ASP-230332-03**

BY: DOLBEARE K 10/23/2023 SHEET 9 OF 9