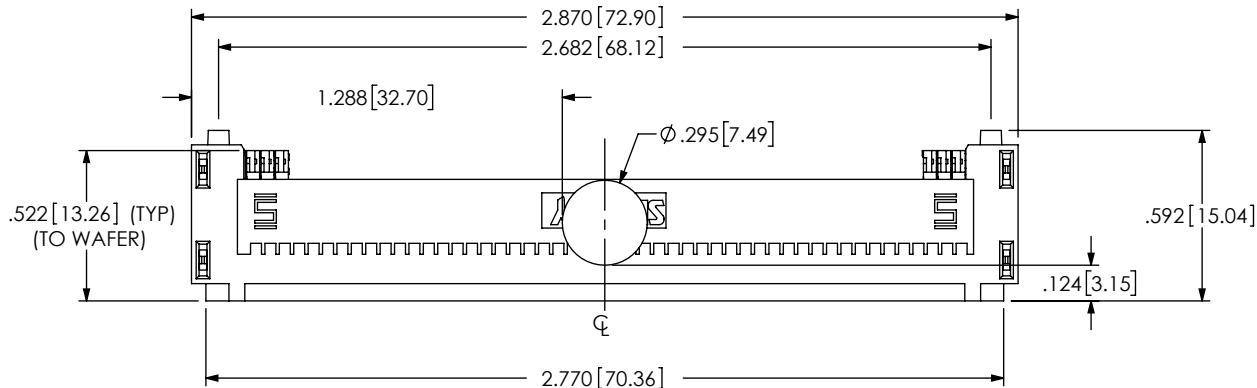
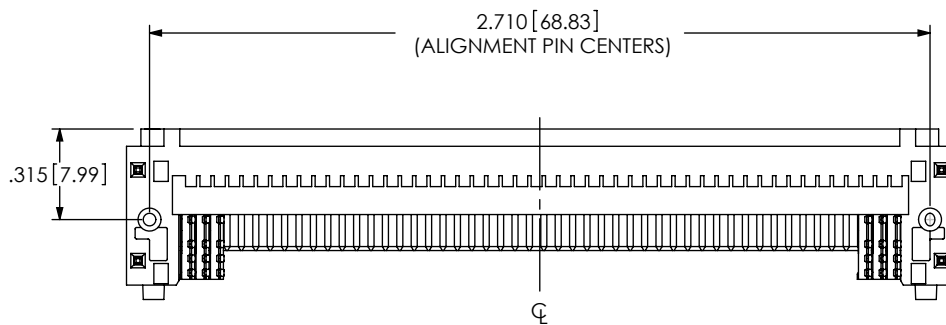
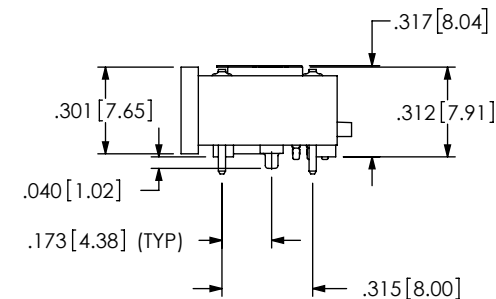
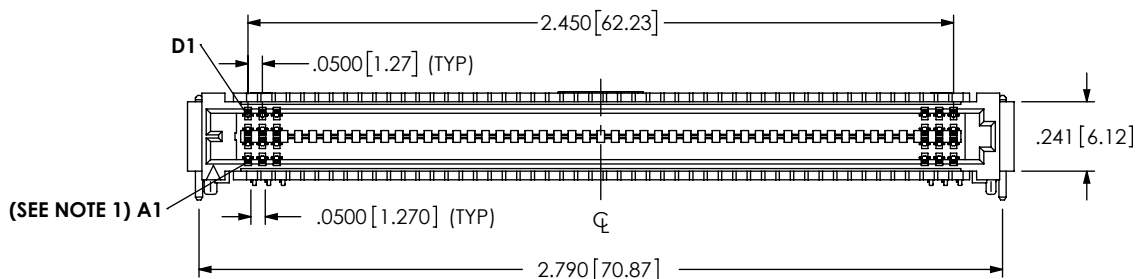


DO NOT SCALE FROM THIS PRINT



SOME CENTER FEATURES NOT SHOWN FOR CLARITY



NOTES:

- ANSI/VITA 90 VNX+ INDUSTRY STANDARD COMPLIANT CONNECTOR FOR VNX+ APPLICATIONS. **ATTENTION: CUSTOMIZED A1 PIN LOCATION FOR V90 APPLICATIONS. IMPORTANT: PCB LAYOUT ON SHEET 3 MUST BE USED FOR V90 COMPLIANCE.**
- MINIMUM PUSH-OUT FORCE: .50 LBS [2.2N].
- PARTS TO BE PACKAGED IN TAPE & REEL.
- ORDERS WILL BE PACKAGED ACCORDING TO THE SAMTEC PACKAGING EFFICIENCY STANDARDS (SPES) FOUND ON WWW.SAMTEC.COM

PROPRIETARY NOTE
 THIS DOCUMENT CONTAINS CONFIDENTIAL AND PROPRIETARY INFORMATION AND ALL DESIGN, MANUFACTURING, REPRODUCTION, USE, PATENT RIGHTS AND SALES RIGHTS ARE EXPRESSLY RESERVED BY SAMTEC, INC. THIS DOCUMENT SHALL NOT BE DISCLOSED, IN WHOLE OR PART, TO ANY UNAUTHORIZED PERSON OR ENTITY NOR REPRODUCED, TRANSFERRED OR INCORPORATED IN ANY OTHER PROJECT IN ANY MANNER WITHOUT THE EXPRESS WRITTEN CONSENT OF SAMTEC, INC.

DO NOT SCALE DRAWING SHEET SCALE: 3:2

MATERIAL: **INSULATOR: PCB, COLOR: BLACK**
 CONTACT: COPPER ALLOY
 PLATING:
 CONTACT AREA: .000030 GOLD
 REMAINDER: .000200 TIN
 LEAD FREE SOLDER

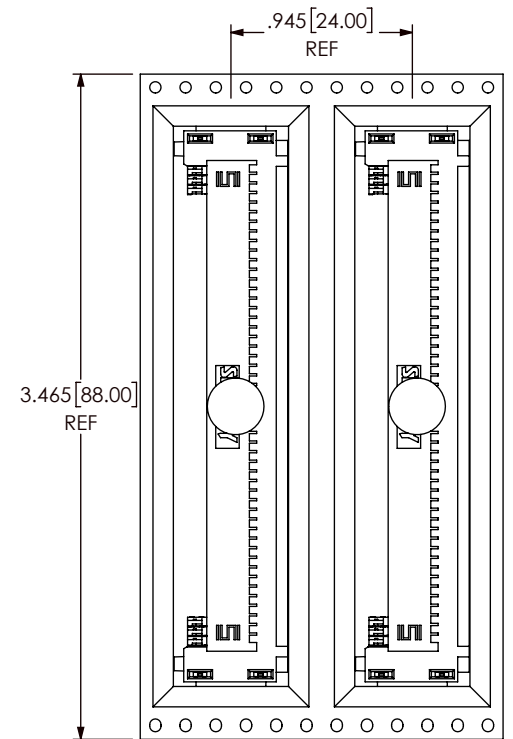


520 PARK EAST BLVD., NEW ALBANY, IN 47150
 PHONE: 812-944-6733 FAX: 812-948-5047
 e-Mail info@SAMTEC.com code 55322

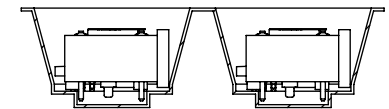
DESCRIPTION: VITA 90 SEAF-RA 200 PIN (LEAD FREE)

DWG. NO. ASP-232969-02

BY: J. BROWNING 08/02/2023 SHEET 1 OF 4



USER DIRECTION OF UN-REELING →
POCKET NOT DETAILED



PACKAGING VIEW

PROPRIETARY NOTE

THIS DOCUMENT CONTAINS CONFIDENTIAL AND PROPRIETARY INFORMATION AND ALL DESIGN, MANUFACTURING, REPRODUCTION, USE, PATENT RIGHTS AND SALES RIGHTS ARE EXPRESSLY RESERVED BY SAMTEC, INC. THIS DOCUMENT SHALL NOT BE DISCLOSED, IN WHOLE OR PART, TO ANY UNAUTHORIZED PERSON OR ENTITY NOR REPRODUCED, TRANSFERRED OR INCORPORATED IN ANY OTHER PROJECT IN ANY MANNER WITHOUT THE EXPRESS WRITTEN CONSENT OF SAMTEC, INC.



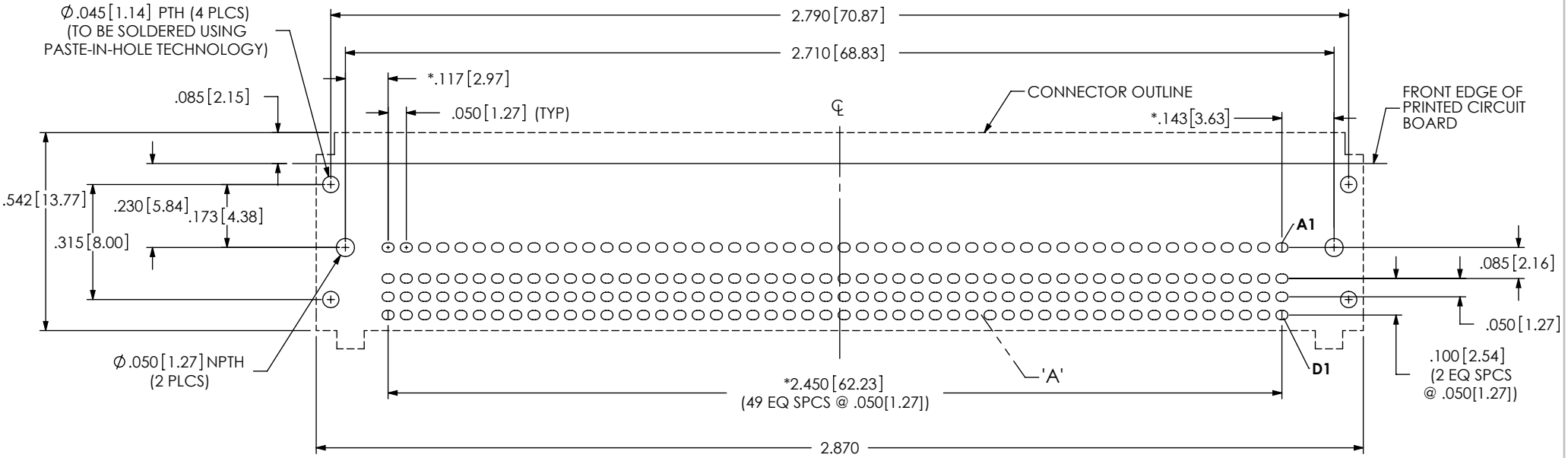
520 PARK EAST BLVD, NEW ALBANY, IN 47150
PHONE: 812-944-6733 FAX: 812-948-5047
e-Mail info@SAMTEC.com code 55322

SHEET SCALE: 1:1
DO NOT SCALE DRAWING

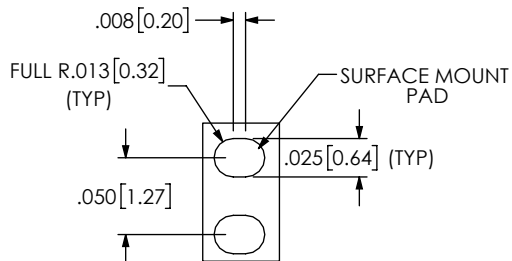
DESCRIPTION:
VITA 90 SEAF-RA 200 PIN (LEAD FREE)

DWG. NO. ASP-232969-02

BY: J. BROWNING 08/02/2023 SHEET 2 OF 4



RECOMMENDED PCB LAYOUT
 ALL DIMENSIONS ARE SYMMETRIC ABOUT THE CENTERLINE EXCEPT "*" DIMENSIONS



DETAIL 'A'
 SCALE 8 : 1

PROPRIETARY NOTE
 THIS DOCUMENT CONTAINS CONFIDENTIAL AND PROPRIETARY INFORMATION AND ALL DESIGN, MANUFACTURING, REPRODUCTION, USE, PATENT RIGHTS AND SALES RIGHTS ARE EXPRESSLY RESERVED BY SAMTEC, INC. THIS DOCUMENT SHALL NOT BE DISCLOSED, IN WHOLE OR PART, TO ANY UNAUTHORIZED PERSON OR ENTITY NOR REPRODUCED, TRANSFERRED OR INCORPORATED IN ANY OTHER PROJECT IN ANY MANNER WITHOUT THE EXPRESS WRITTEN CONSENT OF SAMTEC, INC.



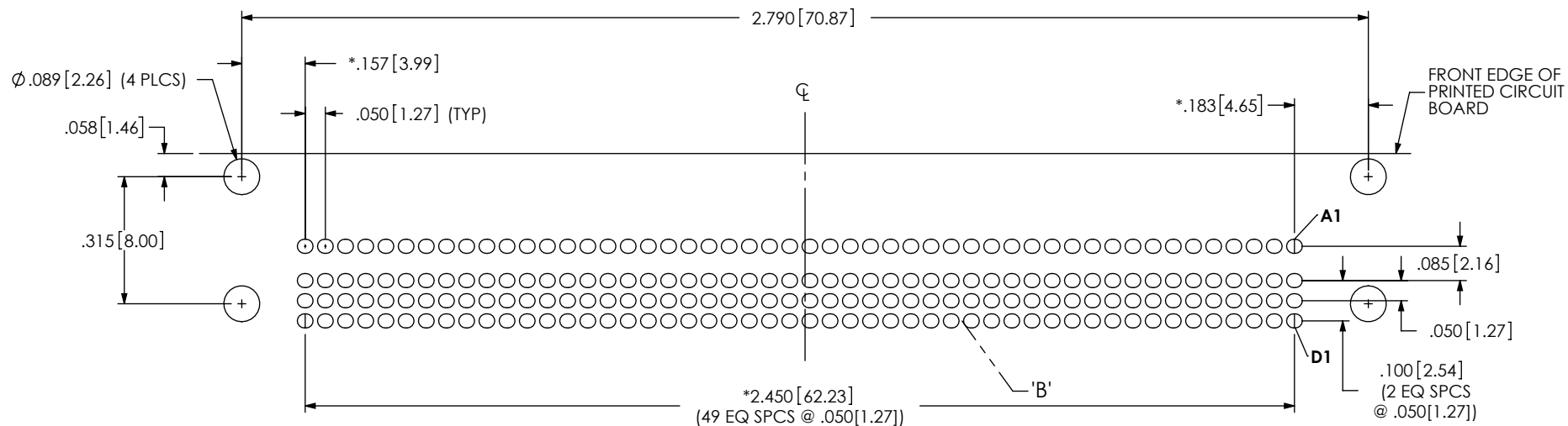
520 PARK EAST BLVD, NEW ALBANY, IN 47150
 PHONE: 812-944-6733 FAX: 812-948-5047
 e-Mail info@SAMTEC.com code 55322

SHEET SCALE: 2.5:1
 DO NOT SCALE DRAWING

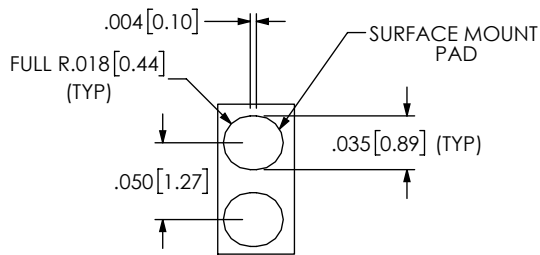
DESCRIPTION:
 VITA 90 SEAF-RA 200 PIN (LEAD FREE)

DWG. NO.
 ASP-232969-02


BY: J. BROWNING 08/02/2023 SHEET 3 OF 4



RECOMMENDED STENCIL LAYOUT
 ALL DIMENSIONS ARE SYMMETRIC ABOUT THE CENTERLINE EXCEPT "*" DIMENSIONS
 STENCIL TO BE .0060 THICK



DETAIL 'B'
 SCALE 8 : 1

<p>PROPRIETARY NOTE</p> <p>THIS DOCUMENT CONTAINS CONFIDENTIAL AND PROPRIETARY INFORMATION AND ALL DESIGN, MANUFACTURING, REPRODUCTION, USE, PATENT RIGHTS AND SALES RIGHTS ARE EXPRESSLY RESERVED BY SAMTEC, INC. THIS DOCUMENT SHALL NOT BE DISCLOSED, IN WHOLE OR PART, TO ANY UNAUTHORIZED PERSON OR ENTITY NOR REPRODUCED, TRANSFERRED OR INCORPORATED IN ANY OTHER PROJECT IN ANY MANNER WITHOUT THE EXPRESS WRITTEN CONSENT OF SAMTEC, INC.</p>		
	<p>520 PARK EAST BLVD, NEW ALBANY, IN 47150 PHONE: 812-944-6733 FAX: 812-948-5047 e-Mail info@SAMTEC.com code 55322</p>	
	<p>SHEET SCALE: 2.5:1 DO NOT SCALE DRAWING</p>	<p>DESCRIPTION: VITA 90 SEAF-RA 200 PIN (LEAD FREE)</p>
	<p>DWG. NO. ASP-232969-02</p>	
	<p>BY: J. BROWNING 08/02/2023 SHEET 4 OF 4</p>	