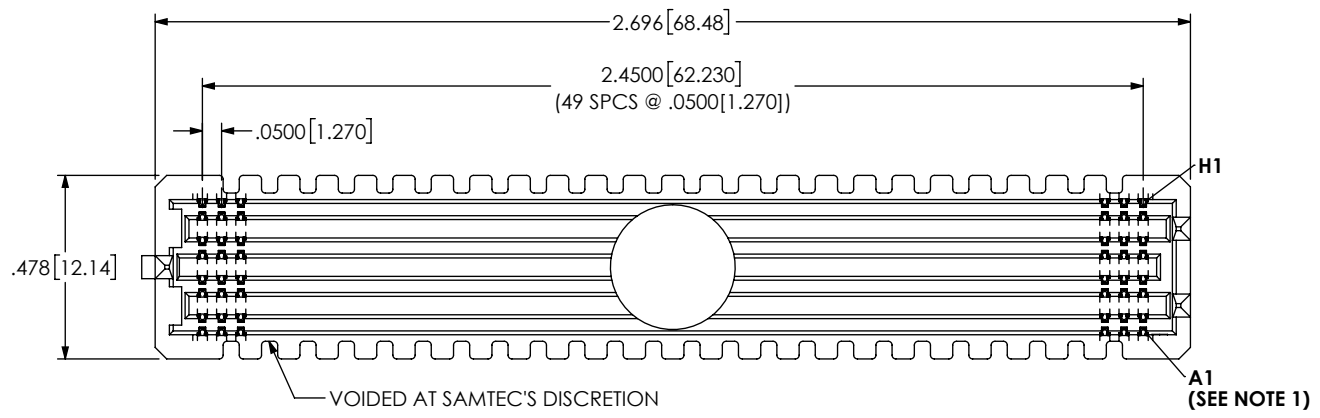
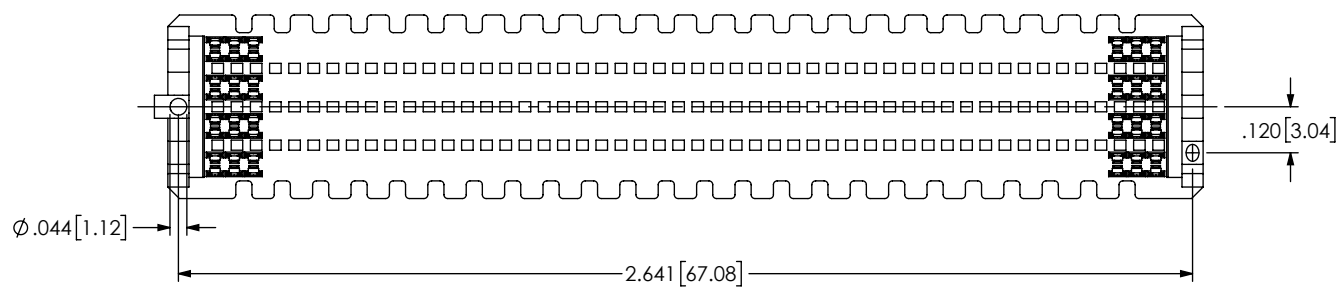
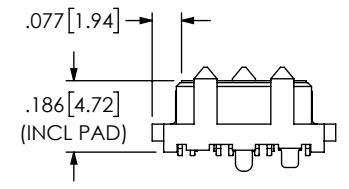
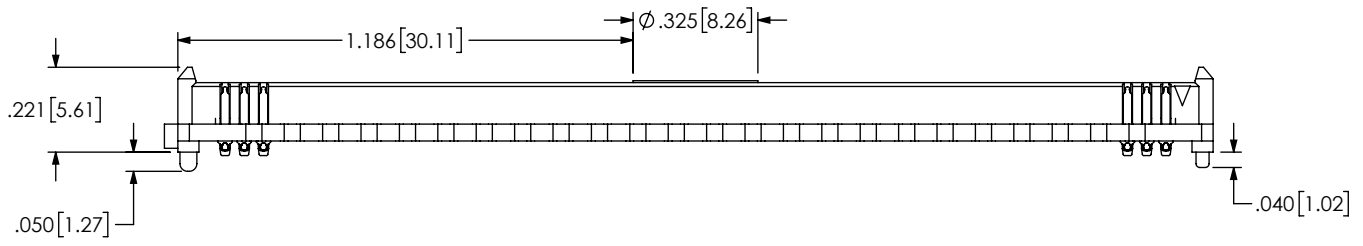


DESIGNED AND DIMENSIONED IN INCHES[MILLIMETERS]  
ALL DIMENSIONS REFERENCE EXCEPT AS SHOWN

DO NOT  
SCALE FROM  
THIS PRINT



SOME CENTER FEATURES NOT  
SHOWN FOR CLARITY



NOTES:

- ANSI/VITA 90 VNX+ INDUSTRY STANDARD COMPLIANT CONNECTOR FOR VNX+ APPLICATIONS.  
ATTENTION: CUSTOMIZED A1 PIN LOCATION FOR V90 APPLICATIONS.  
IMPORTANT: PCB LAYOUT ON SHEET 3 MUST BE USED FOR V90 COMPLIANCE.
- MINIMUM PUSHOUT FORCE: 0.50 LBS.
- PARTS TO BE PACKAGED IN TAPE AND REEL.
- ORDERS WILL BE PACKAGED ACCORDING TO THE SAMTEC PACKAGING EFFICIENCY STANDARDS (SPES) FOUND ON WWW.SAMTEC.COM.

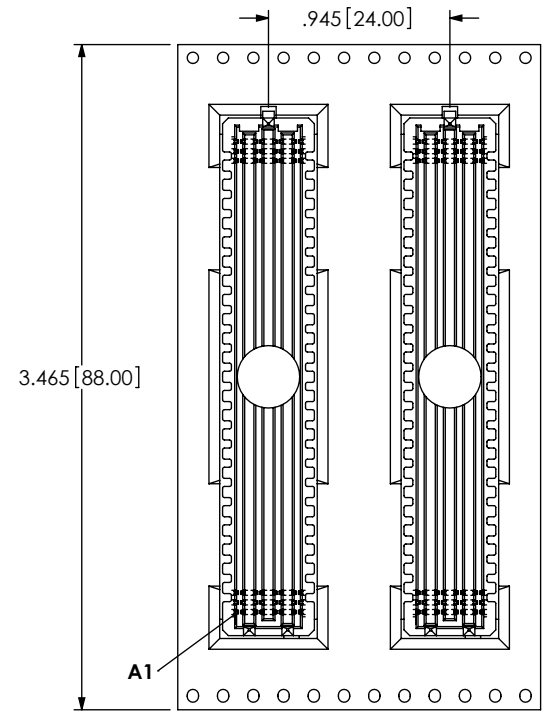
PROPRIETARY NOTE  
THIS DOCUMENT CONTAINS CONFIDENTIAL AND PROPRIETARY INFORMATION AND ALL DESIGN, MANUFACTURING, REPRODUCTION, USE, PATENT RIGHTS AND SALES RIGHTS ARE EXPRESSLY RESERVED BY SAMTEC, INC. THIS DOCUMENT SHALL NOT BE DISCLOSED, IN WHOLE OR PART, TO ANY UNAUTHORIZED PERSON OR ENTITY NOR REPRODUCED, TRANSFERRED OR INCORPORATED IN ANY OTHER PROJECT IN ANY MANNER WITHOUT THE EXPRESS WRITTEN CONSENT OF SAMTEC, INC.



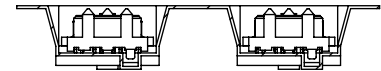
520 PARK EAST BLVD, NEW ALBANY, IN 47150  
PHONE: 812-944-6733 FAX: 812-948-5047  
e-Mail: info@SAMTEC.COM code 55322

DO NOT SCALE DRAWING SHEET SCALE: 2:1  
INSULATOR: LCP, COLOR: BLACK  
TERMINAL: COPPER ALLOY  
PLATING:  
CONTACT AREA: .000030 GOLD  
REMAINDER: .000200 TIN/LEAD  
LEADED SOLDER

DESCRIPTION:  
VITA 90 SEAM 400 PIN (LEADED SOLDER)  
DWG. NO. ASP-232974-01  
BY: J. BROWNING 08/14/2023 SHEET 1 OF 4



USER DIRECTION OF UN-REELING →  
POCKET NOT DETAILED



PACKAGING VIEW

PROPRIETARY NOTE

THIS DOCUMENT CONTAINS CONFIDENTIAL AND PROPRIETARY INFORMATION AND ALL DESIGN, MANUFACTURING, REPRODUCTION, USE, PATENT RIGHTS AND SALES RIGHTS ARE EXPRESSLY RESERVED BY SAMTEC, INC. THIS DOCUMENT SHALL NOT BE DISCLOSED, IN WHOLE OR PART, TO ANY UNAUTHORIZED PERSON OR ENTITY NOR REPRODUCED, TRANSFERRED OR INCORPORATED IN ANY OTHER PROJECT IN ANY MANNER WITHOUT THE EXPRESS WRITTEN CONSENT OF SAMTEC, INC.



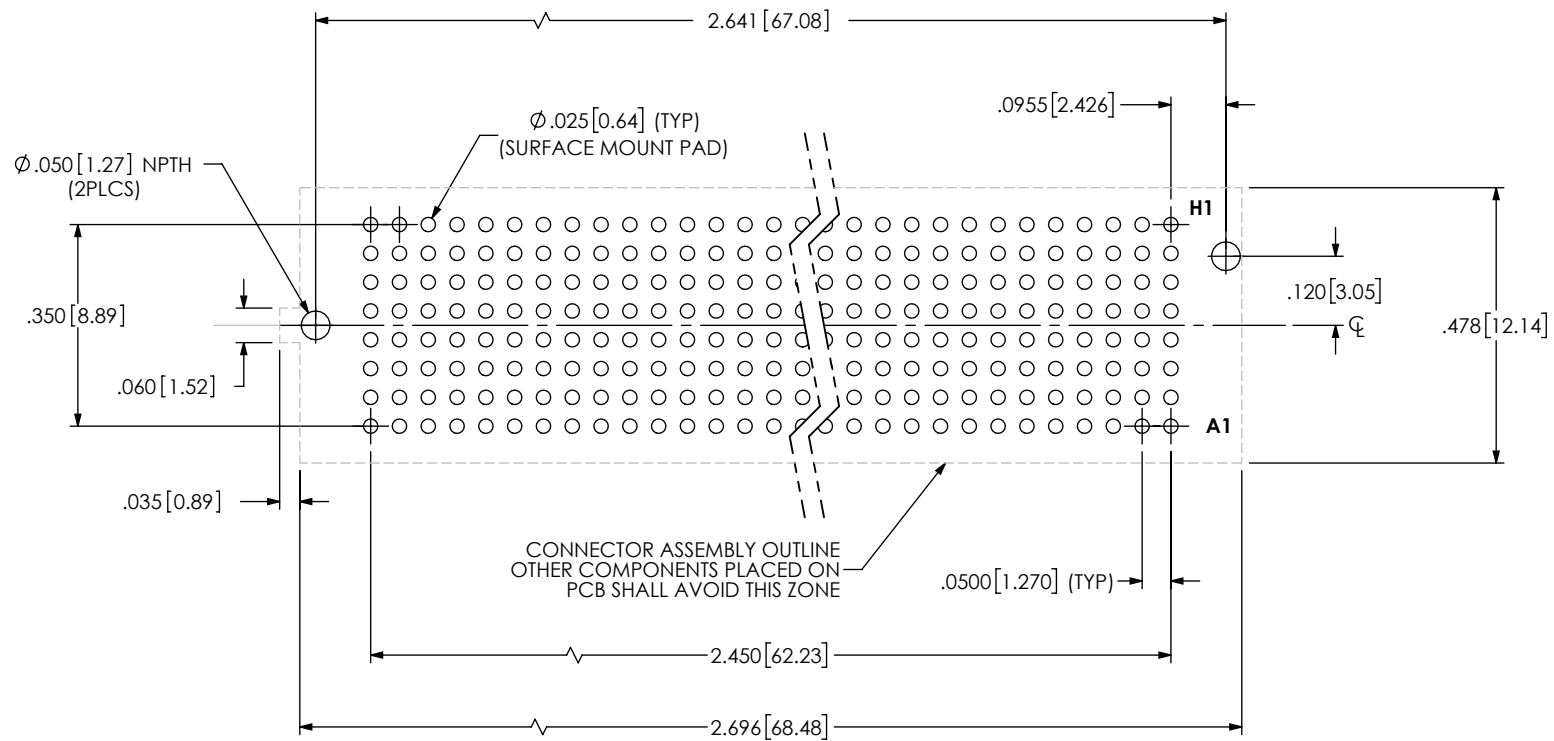
520 PARK EAST BLVD, NEW ALBANY, IN 47150  
PHONE: 812-944-6733 FAX: 812-948-5047  
e-Mail info@SAMTEC.com code 55322

SHEET SCALE: 3:1

DESCRIPTION:  
VITA 90 SEAM 400 PIN (LEADED SOLDER)

DWG. NO. ASP-232974-01

BY: J. BROWNING 08/14/2023 SHEET 2 OF 4



**RECOMMENDED PCB LAYOUT**  
ALL DIMENSIONS SYMMETRIC ABOUT CENTERLINE

**PROPRIETARY NOTE**  
THIS DOCUMENT CONTAINS CONFIDENTIAL AND PROPRIETARY INFORMATION AND ALL DESIGN, MANUFACTURING, REPRODUCTION, USE, PATENT RIGHTS AND SALES RIGHTS ARE EXPRESSLY RESERVED BY SAMTEC, INC. THIS DOCUMENT SHALL NOT BE DISCLOSED, IN WHOLE OR PART, TO ANY UNAUTHORIZED PERSON OR ENTITY NOR REPRODUCED, TRANSFERRED OR INCORPORATED IN ANY OTHER PROJECT IN ANY MANNER WITHOUT THE EXPRESS WRITTEN CONSENT OF SAMTEC, INC.

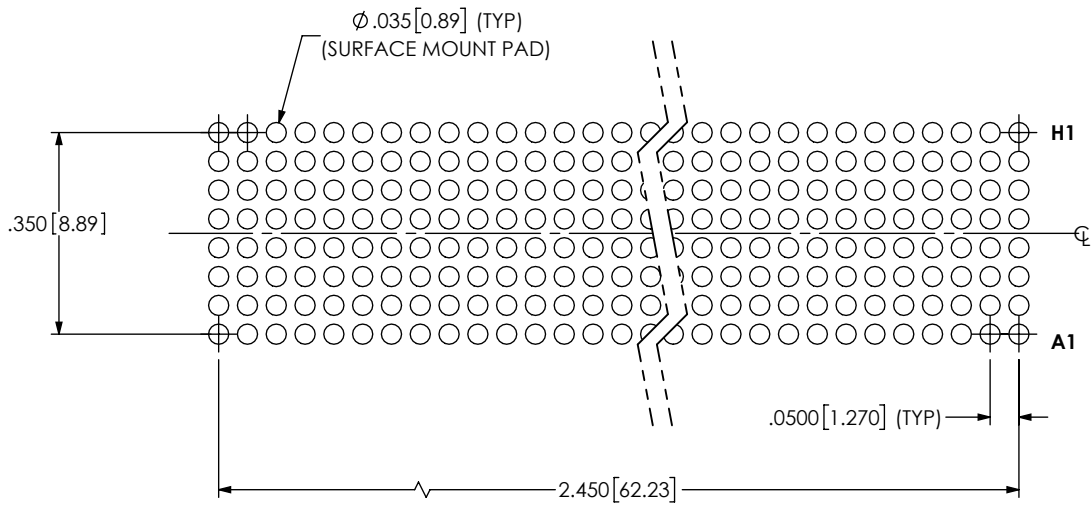
**samtec**  
520 PARK EAST BLVD., NEW ALBANY, IN 47150  
PHONE: 812-944-6733 FAX: 812-948-5047  
e-Mail info@SAMTEC.com code 55322

SHEET SCALE: 3:1

DESCRIPTION:  
VITA 90 SEAM 400 PIN (LEADED SOLDER)

DWG. NO. ASP-232974-01

BY: J. BROWNING 08/14/2023 SHEET 3 OF 4



**RECOMMENDED STENCIL LAYOUT**  
 ALL DIMENSIONS SYMMETRIC ABOUT CENTERLINE  
 STENCIL TO BE .0060 THICK

\* PROPRIETARY NOTE \*

THIS DOCUMENT CONTAINS CONFIDENTIAL AND  
 PROPRIETARY INFORMATION AND ALL DESIGN,  
 MANUFACTURING, REPRODUCTION, USE, PATENT RIGHTS  
 AND SALES RIGHTS ARE EXPRESSLY RESERVED BY SAMTEC,  
 INC. THIS DOCUMENT SHALL NOT BE DISCLOSED, IN WHOLE  
 OR PART, TO ANY UNAUTHORIZED PERSON OR ENTITY NOR  
 REPRODUCED, TRANSFERRED OR INCORPORATED IN ANY  
 OTHER PROJECT IN ANY MANNER WITHOUT THE EXPRESS  
 WRITTEN CONSENT OF SAMTEC, INC.



520 PARK EAST BLVD., NEW ALBANY, IN 47150  
 PHONE: 812-944-6733 FAX: 812-948-5047  
 e-Mail info@SAMTEC.com code 55322

SHEET SCALE: 3:1

DESCRIPTION:  
 VITA 90 SEAM 400 PIN (LEADED SOLDER)

DWG. NO.  
 ASP-232974-01

BY: J. BROWNING 08/14/2023 SHEET 4 OF 4