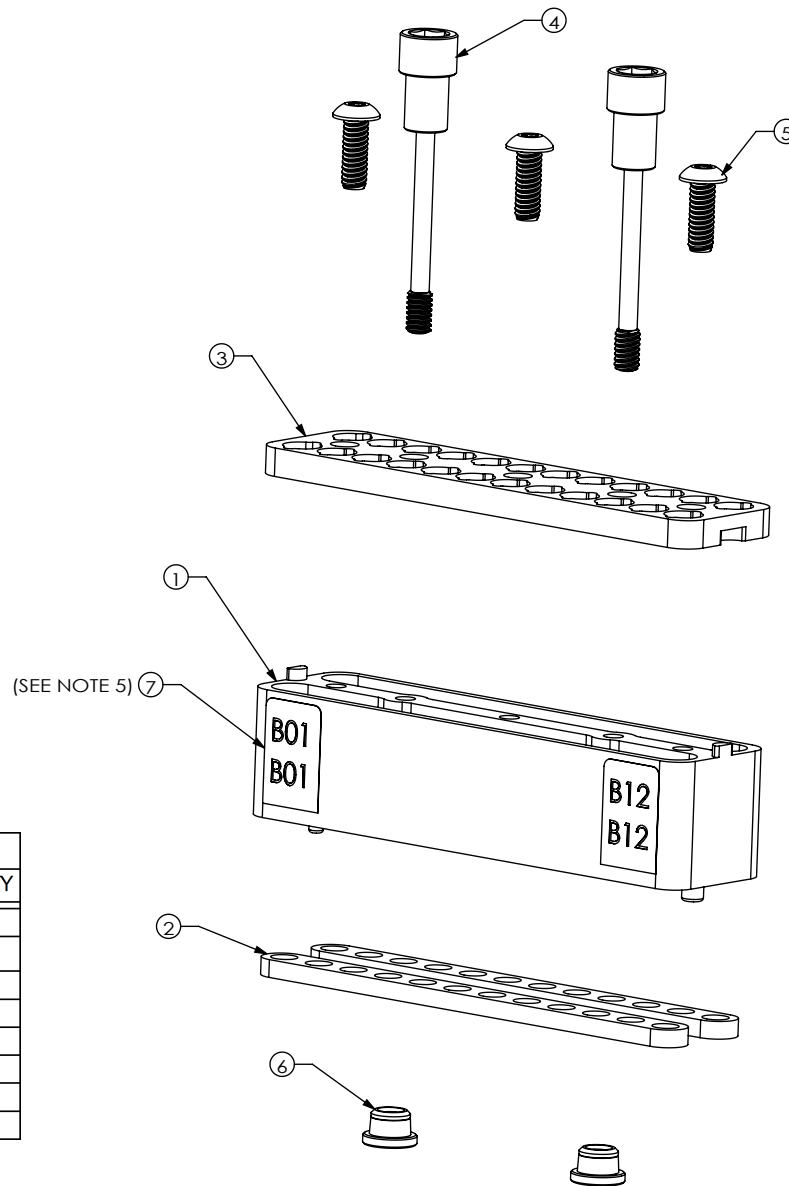


DO NOT SCALE FROM THIS PRINT



ITEM	COMPONENT	PART NUMBER	QUANTITY
1	HOUSING ASSEMBLY	BDR-24	1
2	ELASTOMER	BDR-GKT-12	2
3	COVER	BDR-CVR-24-F	1
4	SCREW 1	BDR-SCR-01	2
5	SCREW 2	BDR-SCR-02	3
6	NUT	BDR-NUT	2
7	POSITION LABEL	HDRL-16	4
8	ITEM DELETED		

NOTES:

- ⊕ REPRESENTS A CRITICAL DIMENSION.
- BE23S-XXXX-XX-XX-XXXX (CABLE ASSEMBLY) SOLD SEPARATELY
- CAT-EX-SCC-03 SOLD SEPARATELY, AND AVAILABLE IF NEEDED; SEE SHEET 3 FOR APPLICATION VIEW..
- ALL COMPONENTS TO BE PACKAGED ASSEMBLED IN BAG (BG-CCH) WITH LABEL (PL-BG-CCH) AFFIXED TO THE OUTSIDE OF BAG.
- PRINT A1, A12, B1 OR B12 (4) ITEMS PER LABEL. CUT LABEL TO LENGTH SHOWN AND APPLY TO BODY WHERE SHOWN.
- NOTE DELETED.

UNLESS OTHERWISE SPECIFIED, DIMENSIONS ARE IN MILLIMETERS.

TOLERANCES ARE:
 DECIMALS ANGLES
 X.X: ±0.3 [.01] 5°
 X.XX: ±0.13 [.005]
 X.XXX: ±0.051 [.0020]

PROPRIETARY NOTE

THIS DOCUMENT CONTAINS CONFIDENTIAL AND PROPRIETARY INFORMATION AND ALL DESIGN, MANUFACTURING, REPRODUCTION, USE, PATENT RIGHTS AND SALES RIGHTS ARE EXPRESSLY RESERVED BY SAMTEC, INC. THIS DOCUMENT SHALL NOT BE DISCLOSED, IN WHOLE OR PART, TO ANY UNAUTHORIZED PERSON OR ENTITY NOR REPRODUCED, TRANSFERRED OR INCORPORATED IN ANY OTHER PROJECT IN ANY MANNER WITHOUT THE EXPRESS WRITTEN CONSENT OF SAMTEC, INC.



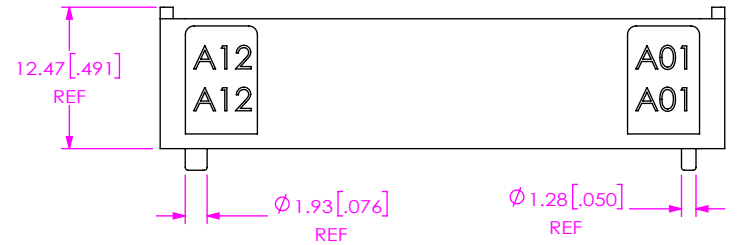
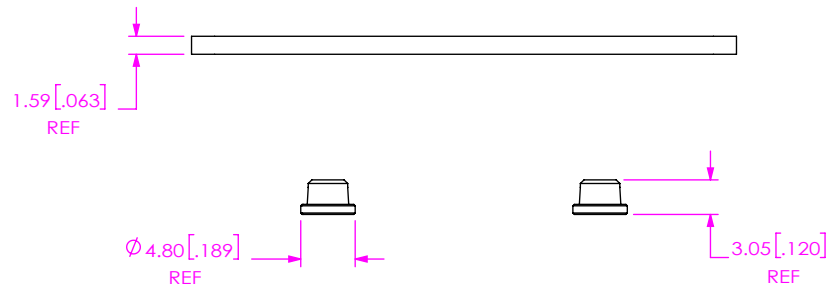
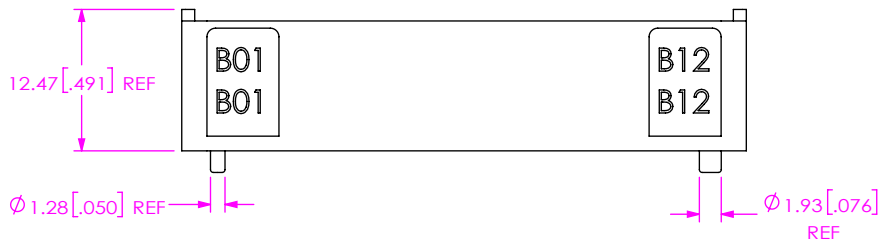
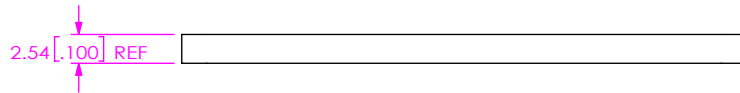
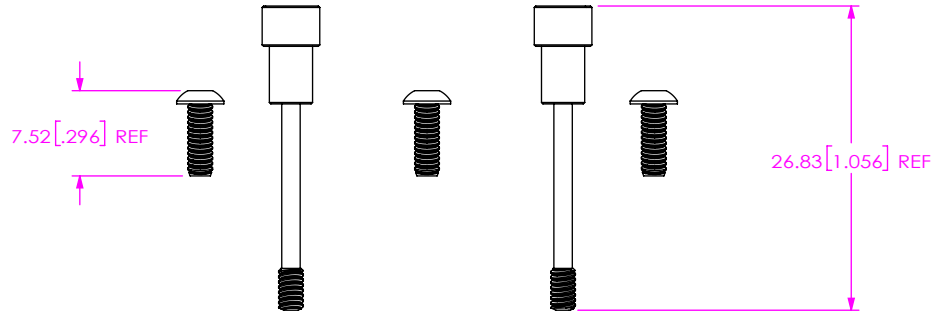
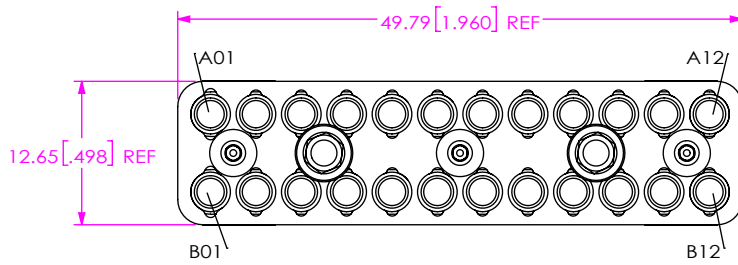
520 PARK EAST BLVD, NEW ALBANY, IN 47150
 PHONE: 812-944-6733 FAX: 812-948-5047
 e-Mail: info@SAMTEC.com code 55322

MATERIAL: DO NOT SCALE DRAWING SHEET SCALE: 3:2
 BDR-24: BRASS & STAINLESS STEEL
 BDR-CVR-24-F, BDR-SCR-01, BDR-NUT: BRASS
 BDR-SCR-02: STAINLESS STEEL

DESCRIPTION:
 BULLSEYE DOUBLE ROW HEADER 24 POS

DWG. NO. BDR-J-XX

BY: EMMA CHEN 3/11/2014 SHEET 1 OF 3



LABEL VIEW
SEE NOTE 5

PROPRIETARY NOTE
THIS DOCUMENT CONTAINS CONFIDENTIAL AND PROPRIETARY INFORMATION AND ALL DESIGN, MANUFACTURING, REPRODUCTION, USE, PATENT RIGHTS AND SALES RIGHTS ARE EXPRESSLY RESERVED BY SAMTEC, INC. THIS DOCUMENT SHALL NOT BE DISCLOSED, IN WHOLE OR PART, TO ANY UNAUTHORIZED PERSON OR ENTITY NOR REPRODUCED, TRANSFERRED OR INCORPORATED IN ANY OTHER PROJECT IN ANY MANNER WITHOUT THE EXPRESS WRITTEN CONSENT OF SAMTEC, INC.

DO NOT SCALE DRAWING

SHEET SCALE: 3:2

samtec

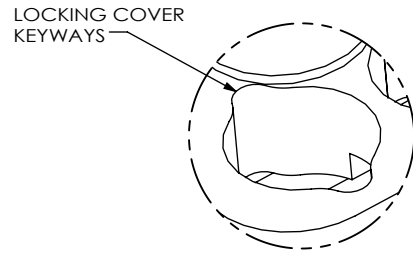
520 PARK EAST BLVD, NEW ALBANY, IN 47150
PHONE: 812-944-6733 FAX: 812-948-5047
e-Mail info@SAMTEC.com code 55322

DESCRIPTION:
BULLSEYE DOUBLE ROW HEADER 24 POS

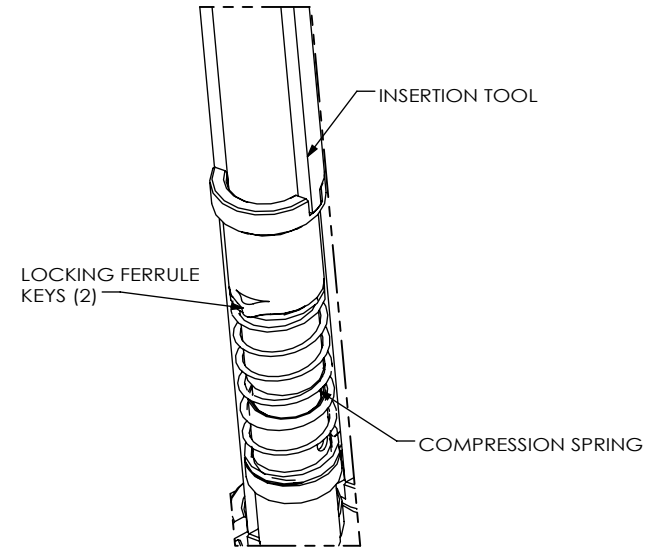
DWG. NO.

BDR-J-XX

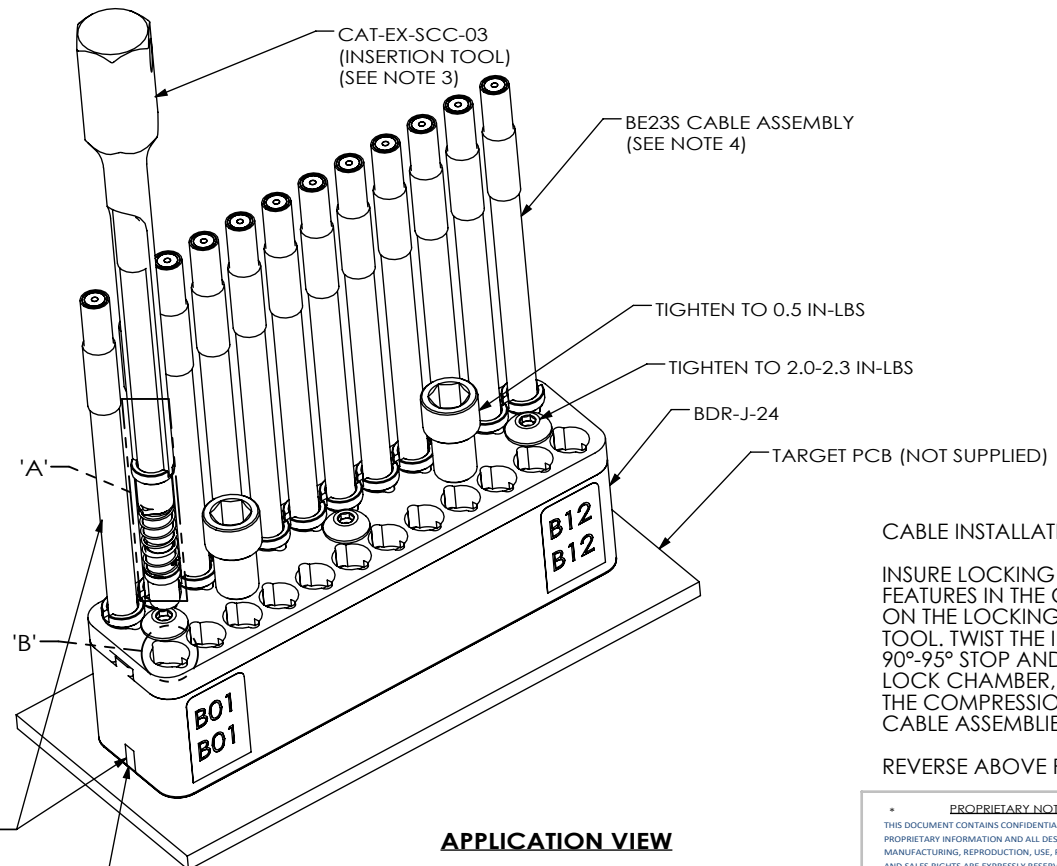
BY: EMMA CHEN 3/11/2014 SHEET 2 OF 3



DETAIL 'B'
SCALE 6 : 1



DETAIL 'A'
SCALE 4 : 1



APPLICATION VIEW

APPLY A01 LABEL WITH RESPECT TO POSITION 1 INDICATOR AS SHOWN

POSITION 1 INDICATOR

CABLE INSTALLATION PROCEDURE:

INSURE LOCKING FERRULE KEYS (SEE DETAIL A) ALIGN WITH KEYWAY FEATURES IN THE CONNECTOR BODY (SEE DETAIL B). PUSH DOWN ON THE LOCKING FERRULE (WITH MINIMAL FORCE) USING THE INSERTION TOOL. TWIST THE INSERTION TOOL CLOCKWISE (IT SHOULD TURN FREELY) 90°-95° STOP AND RELEASE. THE LOCKING FERRULE WILL LIFT INTO THE LOCK CHAMBER, LOCATED INSIDE THE CONNECTOR BODY, BY WAY OF THE COMPRESSION SPRING. REPEAT THIS PROCESS WITH REMAINING CABLE ASSEMBLIES .

REVERSE ABOVE PROCEDURE TO DISASSEMBLE.

PROPRIETARY NOTE
THIS DOCUMENT CONTAINS CONFIDENTIAL AND PROPRIETARY INFORMATION AND ALL DESIGN, MANUFACTURING, REPRODUCTION, USE, PATENT RIGHTS AND SALES RIGHTS ARE EXPRESSLY RESERVED BY SAMTEC, INC. THIS DOCUMENT SHALL NOT BE DISCLOSED, IN WHOLE OR PART, TO ANY UNAUTHORIZED PERSON OR ENTITY NOR REPRODUCED, TRANSFERRED OR INCORPORATED IN ANY OTHER PROJECT IN ANY MANNER WITHOUT THE EXPRESS WRITTEN CONSENT OF SAMTEC, INC.

DO NOT SCALE DRAWING

SHEET SCALE: 3:2



520 PARK EAST BLVD, NEW ALBANY, IN 47150
PHONE: 812-944-6733 FAX: 812-948-5047
e-Mail info@SAMTEC.com code 55322

DESCRIPTION:
BULLSEYE DOUBLE ROW HEADER 24 POS

DWG. NO.

BDR-J-XX

BY: EMMA CHEN 3/11/2014 SHEET 3 OF 3