

**DESIGNED AND DIMENSIONED IN INCHES[MILLIMETERS]
ALL DIMENSIONS REFERENCE EXCEPT AS SHOWN**

DO NOT
SCALE FROM
THIS PRINT

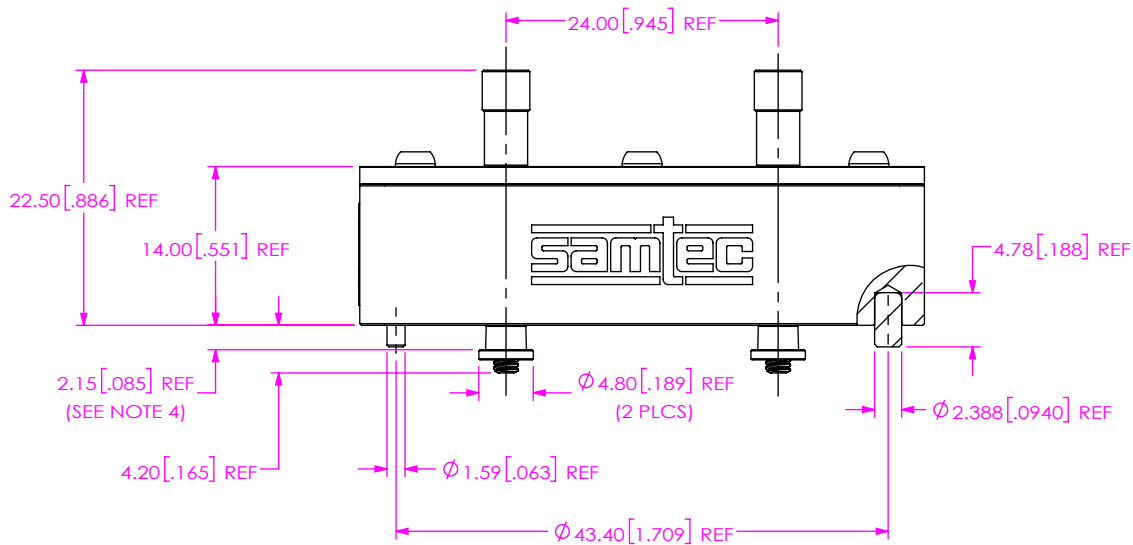
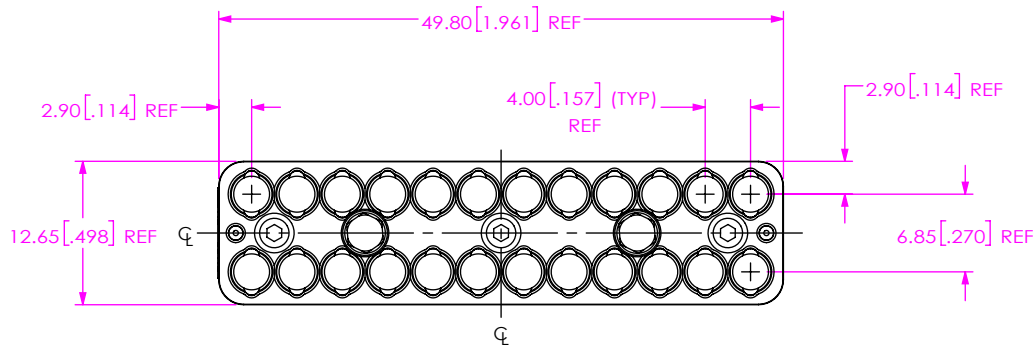


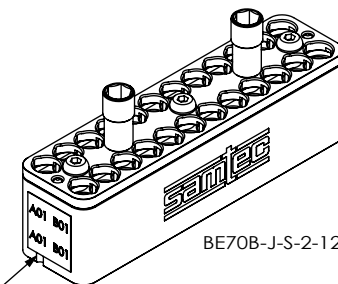
FIG 1
BE70B-J-S-2-12 AS SHOWN

BE70B-J-X-X-XX

TRANSMISSION TYPE
-S: STRIPLINE
-M: MICROSTRIP

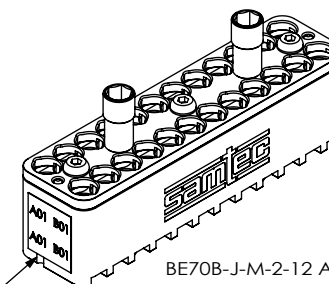
NO OF POSITION (PER ROW)
-03, -04, -06, -08, -10,
-12, -14, -16

NO OF ROWS
-2



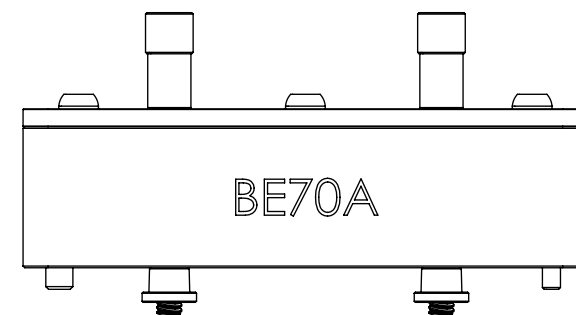
BE70B-J-S-2-12 AS SHOWN

POSITION 1
INDICATOR



BE70B-J-M-2-12 AS SHOWN

POSITION 1
INDICATOR



BACK VIEW

NOTES:

1. BE70C-XXXX-X-XX-XXXX (CABLE ASSEMBLY) SOLD SEPARATELY.
2. CAT-EX-SCC-03 EXTRACTION TOOL SOLD SEPARATELY.
3. ASSEMBLY PACKAGED IN INDIVIDUAL BAG (BG-CCH) WITH LABEL (PL-BG-CCH) AFFIXED TO THE OUTSIDE OF BAG.
4. RECOMMEND PCB THICKNESS: .06 INCH - .16 INCH (SEE SHEET 4).

PROPRIETARY NOTE

THIS DOCUMENT CONTAINS CONFIDENTIAL AND PROPRIETARY INFORMATION AND ALL DESIGN, MANUFACTURING, REPRODUCTION, USE, PATENT RIGHTS AND SALES RIGHTS ARE EXPRESSLY RESERVED BY SAMTEC, INC. THIS DOCUMENT SHALL NOT BE DISCLOSED, IN WHOLE OR PART, TO ANY UNAUTHORIZED PERSON OR ENTITY NOR REPRODUCED, TRANSFERRED OR INCORPORATED IN ANY OTHER PROJECT IN ANY MANNER WITHOUT THE EXPRESS WRITTEN CONSENT OF SAMTEC, INC.

DO NOT SCALE DRAWING
SHEET SCALE: 3:2
MATERIAL:
HOUSING, COVER, SCREWS, NUTS: BRASS
PLATING: GOLD FLASH / 100µ" - 200µ" Ni
ALIGNMENT PINS, SCREWS: STAINLESS STEEL



520 PARK EAST BLVD, NEW ALBANY, IN 47150
PHONE: 812-944-6733 FAX: 812-948-5047
e-Mail: info@SAMTEC.com code 55322

DESCRIPTION:
BE70B HOUSING, VARIABLE POSITION COUNT

DWG. NO.
BE70B-J-X-X-XX

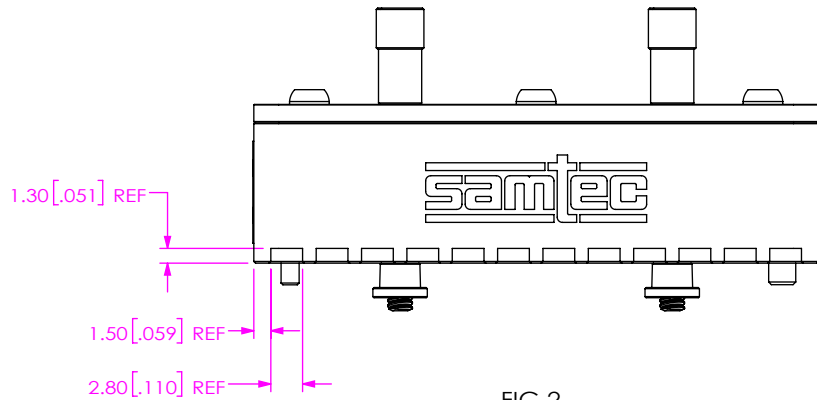


FIG 2
BE70B-J-M-2-12 AS SHOWN
(DIFFERENT AS SHOWN, OTHERWISE SAME AS FIG 1)

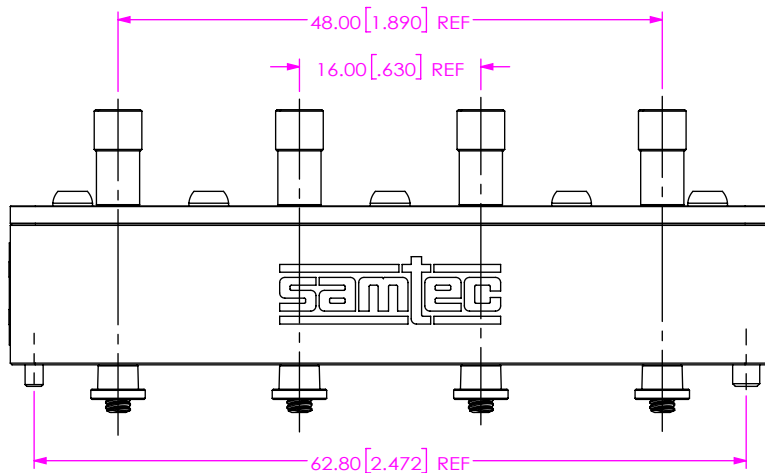
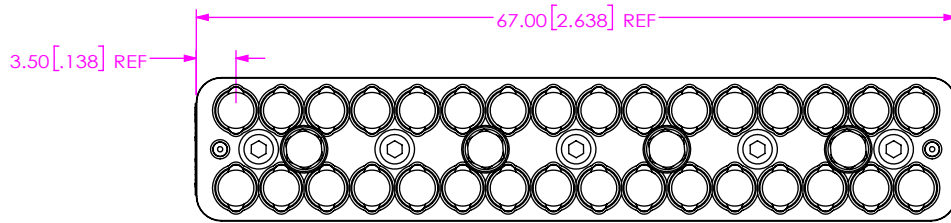


FIG 3
BE70B-J-S-2-16 AS SHOWN
(DIFFERENT AS SHOWN, OTHERWISE SAME AS FIG 1)

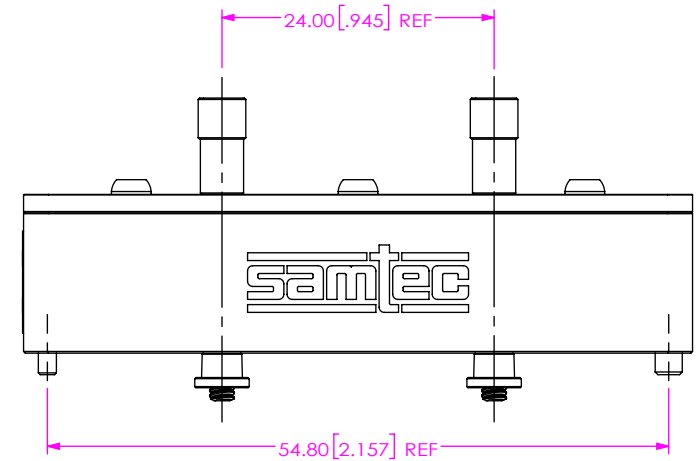
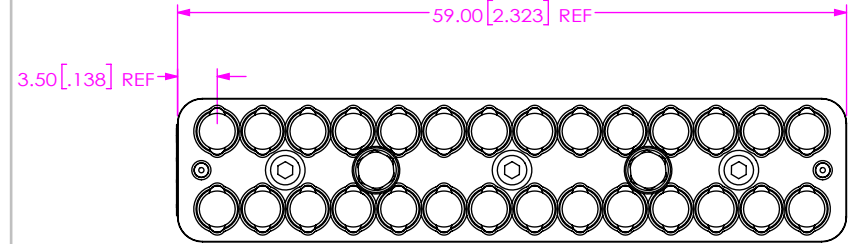


FIG 4
BE70B-J-S-2-14 AS SHOWN
(DIFFERENT AS SHOWN, OTHERWISE SAME AS FIG 1)

PROPRIETARY NOTE
THIS DOCUMENT CONTAINS CONFIDENTIAL AND PROPRIETARY INFORMATION AND ALL DESIGN, MANUFACTURING, REPRODUCTION, USE, PATENT RIGHTS AND SALES RIGHTS ARE EXPRESSLY RESERVED BY SAMTEC, INC. THIS DOCUMENT SHALL NOT BE DISCLOSED, IN WHOLE OR PART, TO ANY UNAUTHORIZED PERSON OR ENTITY NOR REPRODUCED, TRANSFERRED OR INCORPORATED IN ANY OTHER PROJECT IN ANY MANNER WITHOUT THE EXPRESS WRITTEN CONSENT OF SAMTEC, INC.



520 PARK EAST BLVD, NEW ALBANY, IN 47150
PHONE: 812-944-6733 FAX: 812-948-5047
e-Mail: info@SAMTEC.com code 55322

DO NOT SCALE DRAWING

DESCRIPTION:
BE70B HOUSING, VARIABLE POSITION COUNT

DWG. NO.

BE70B-J-X-X-XX

SHEET SCALE: 3:2

BY: SHERRY W 12/24/2019 SHEET 2 OF 4

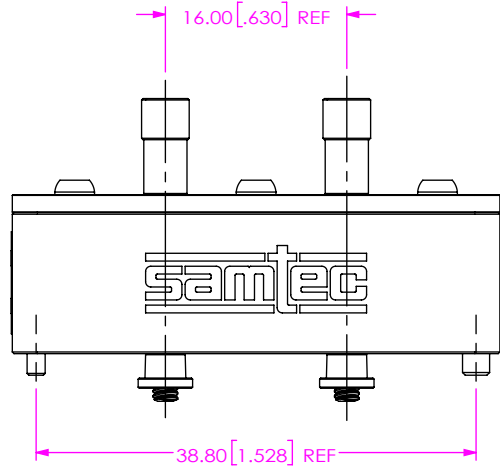
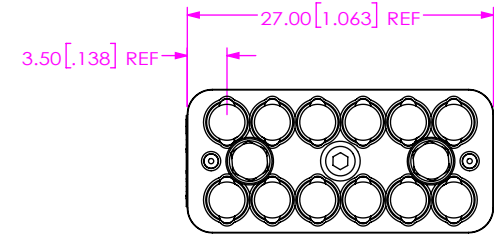
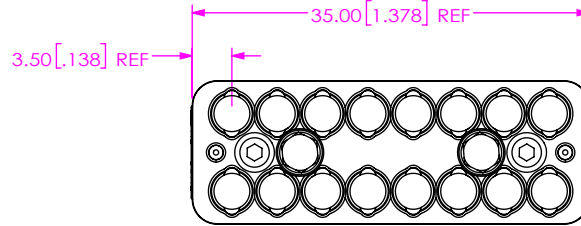
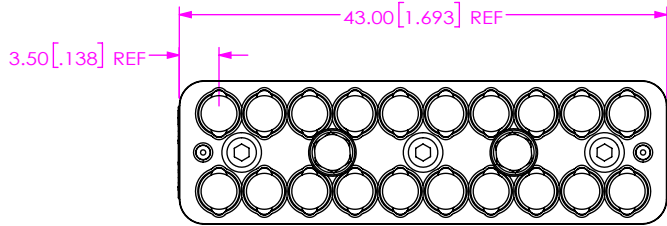


FIG 5
BE70B-J-S-2-10 AS SHOWN
(DIFFERENT AS SHOWN, OTHERWISE SAME AS FIG 1)

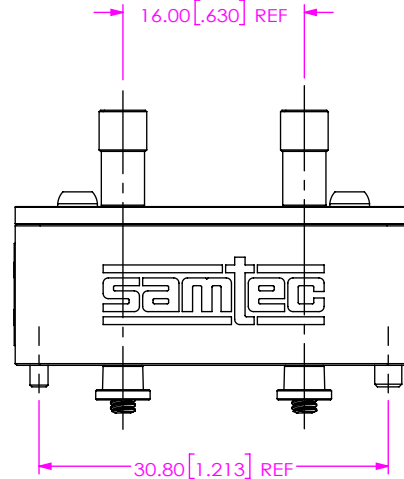


FIG 6
BE70B-J-S-2-08 AS SHOWN
(DIFFERENT AS SHOWN, OTHERWISE SAME AS FIG 1)

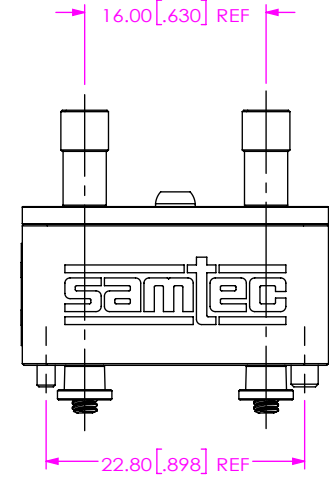


FIG 7
BE70B-J-S-2-06 AS SHOWN
(DIFFERENT AS SHOWN, OTHERWISE SAME AS FIG 1)

PROPRIETARY NOTE
THIS DOCUMENT CONTAINS CONFIDENTIAL AND PROPRIETARY INFORMATION AND ALL DESIGN, MANUFACTURING, REPRODUCTION, USE, PATENT RIGHTS AND SALES RIGHTS ARE EXPRESSLY RESERVED BY SAMTEC, INC. THIS DOCUMENT SHALL NOT BE DISCLOSED, IN WHOLE OR PART, TO ANY UNAUTHORIZED PERSON OR ENTITY NOR REPRODUCED, TRANSFERRED OR INCORPORATED IN ANY OTHER PROJECT IN ANY MANNER WITHOUT THE EXPRESS WRITTEN CONSENT OF SAMTEC, INC.



520 PARK EAST BLVD, NEW ALBANY, IN 47150
PHONE: 812-944-6733 FAX: 812-948-5047
e-Mail: info@SAMTEC.com code 55322

DO NOT SCALE DRAWING

DESCRIPTION:
BE70B HOUSING, VARIABLE POSITION COUNT

DWG. NO.

BE70B-J-X-X-XX

SHEET SCALE: 3:2

BY: SHERRY W 12/24/2019 SHEET 3 OF 4

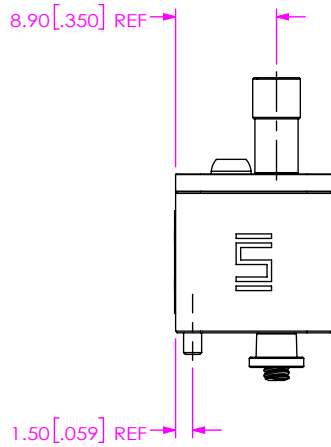
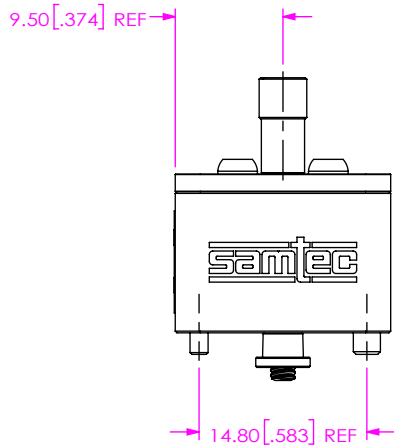
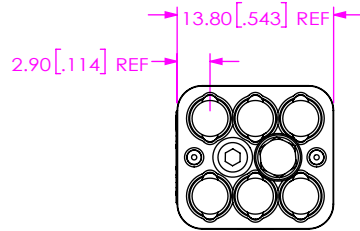
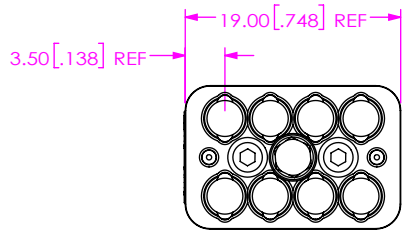
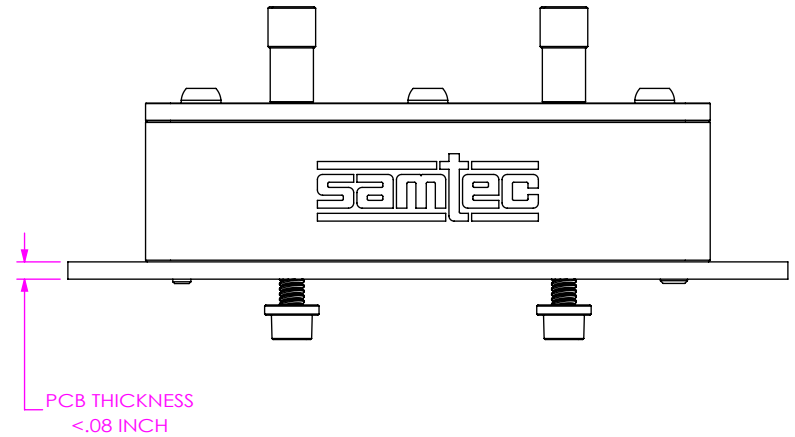
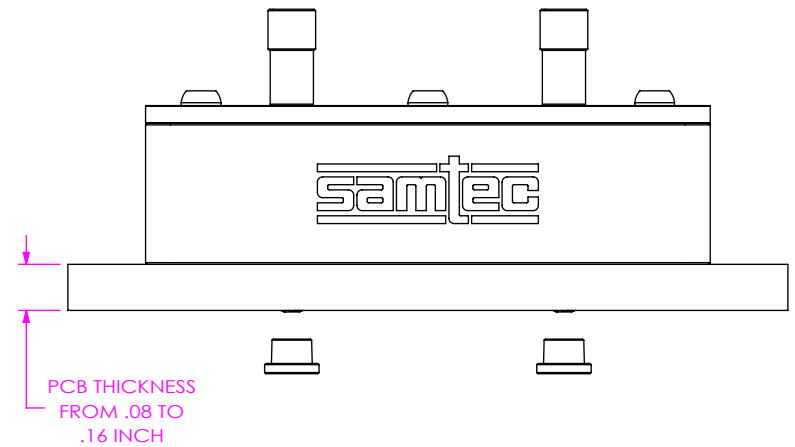


FIG 8
BE70B-J-S-2-04 AS SHOWN
(DIFFERENT AS SHOWN, OTHERWISE SAME AS FIG 1)


FIG 9
BE70B-J-S-2-03 AS SHOWN
(DIFFERENT AS SHOWN, OTHERWISE SAME AS FIG 1)



DIRECTION OF PCB NUTS
(PCB THICKNESS < .08 INCH)



DIRECTION OF PCB NUTS
(PCB THICKNESS .08 TO .16 INCH)

<p>PROPRIETARY NOTE</p> <p>THIS DOCUMENT CONTAINS CONFIDENTIAL AND PROPRIETARY INFORMATION AND ALL DESIGN, MANUFACTURING, REPRODUCTION, USE, PATENT RIGHTS AND SALES RIGHTS ARE EXPRESSLY RESERVED BY SAMTEC, INC. THIS DOCUMENT SHALL NOT BE DISCLOSED, IN WHOLE OR PART, TO ANY UNAUTHORIZED PERSON OR ENTITY NOR REPRODUCED, TRANSFERRED OR INCORPORATED IN ANY OTHER PROJECT IN ANY MANNER WITHOUT THE EXPRESS WRITTEN CONSENT OF SAMTEC, INC.</p>	 520 PARK EAST BLVD, NEW ALBANY, IN 47150 PHONE: 812-944-6733 FAX: 812-948-5047 e-Mail info@SAMTEC.com code 55322	
	DO NOT SCALE DRAWING	
	SHEET SCALE: 3:2	
DESCRIPTION: BE70B HOUSING, VARIABLE POSITION COUNT DWG. NO. BE70B-J-X-X-XX		BY: SHERRY W 12/24/2019 SHEET 4 OF 4