

DO NOT  
SCALE FROM  
THIS PRINT

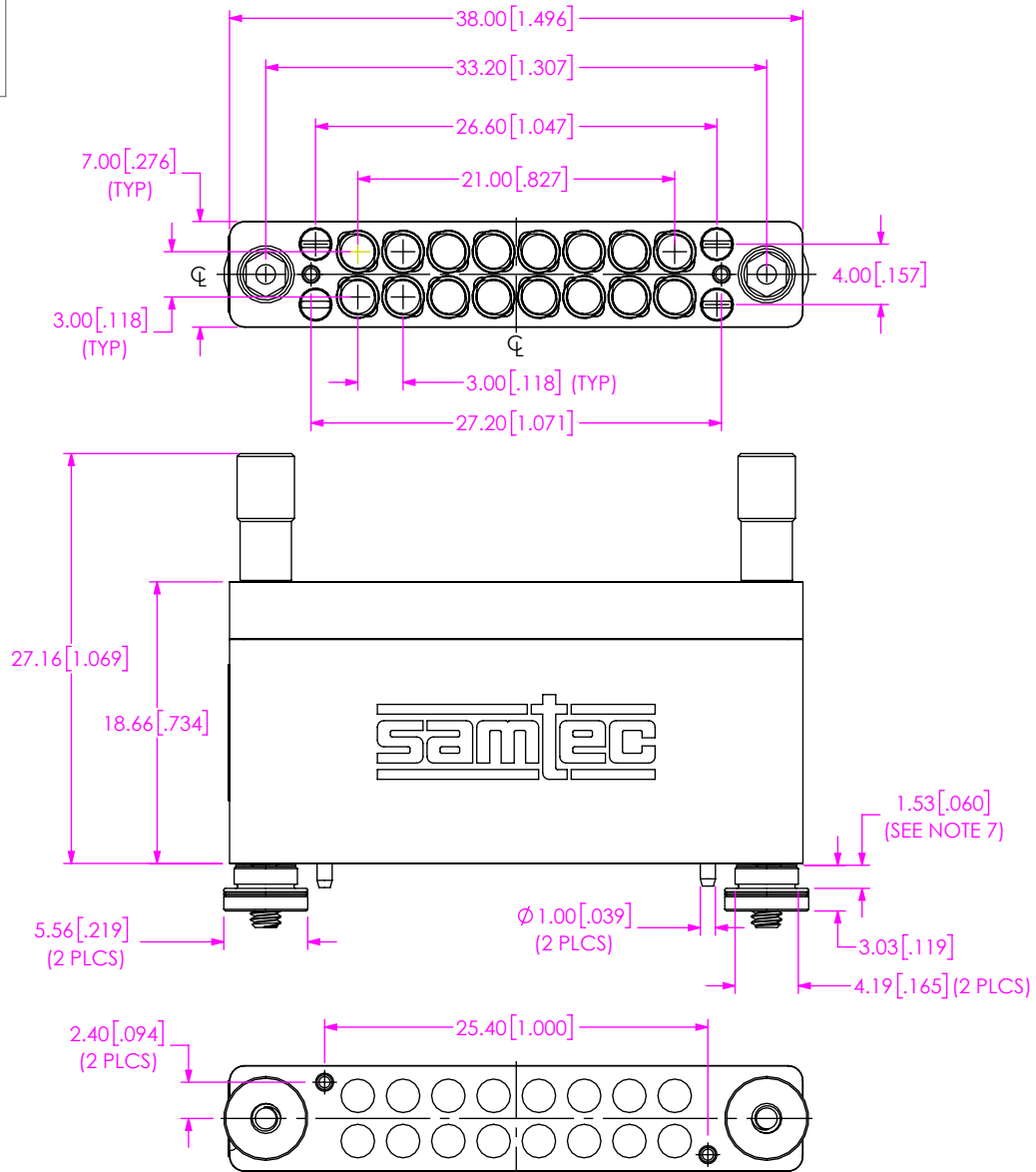


FIG 1  
BE90B-J-S-2-08 AS SHOWN

NOTES:

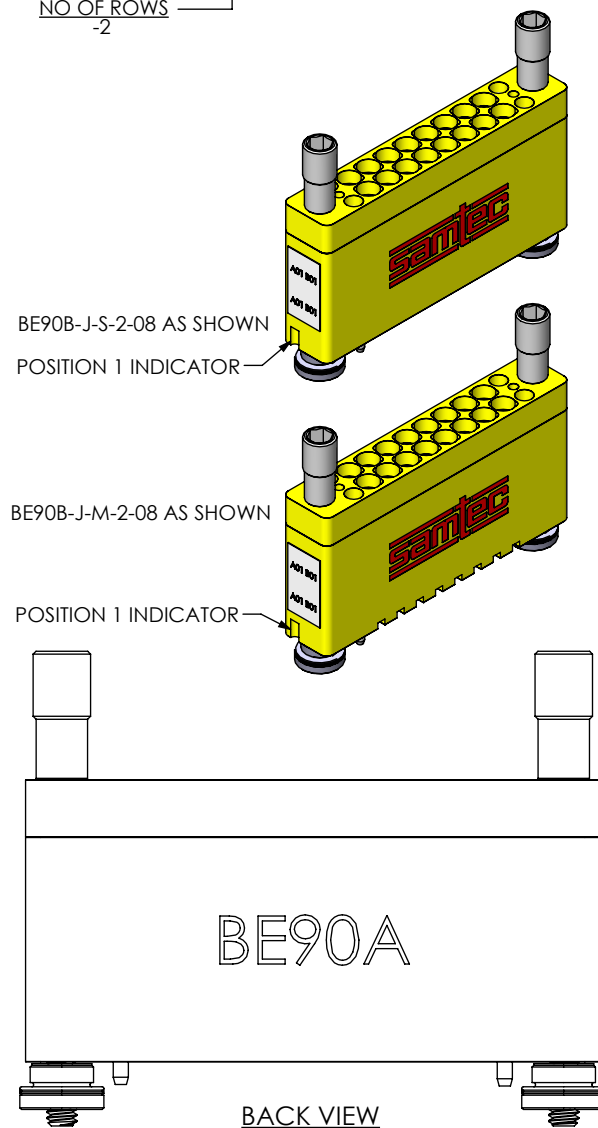
1. BE90C-XXXX-X-XX-XXXX (CABLE ASSEMBLY) SOLD SEPARATELY.
2. CAT-EX-SCC-03 EXTRACTION TOOL SOLD SEPARATELY.
3. ASSEMBLY PACKAGED IN INDIVIDUAL BAG.
4. RECOMMEND PCB THICKNESS: .06 INCH - .16 INCH (SEE SHEET 2).

BE90B-J-X-X-XX

TRANSMISSION TYPE  
-S: STRIPLINE  
-M: MICROSTRIP

NO OF POSITION (PER ROW)  
-04, -08, -12, -16

NO OF ROWS  
-2



<p><b>PROPRIETARY NOTE</b></p> <p>THIS DOCUMENT CONTAINS CONFIDENTIAL AND PROPRIETARY INFORMATION AND ALL DESIGN, MANUFACTURING, REPRODUCTION, USE, PATENT RIGHTS AND SALES RIGHTS ARE EXPRESSLY RESERVED BY SAMTEC, INC. THIS DOCUMENT SHALL NOT BE DISCLOSED, IN WHOLE OR PART, TO ANY UNAUTHORIZED PERSON OR ENTITY NOR REPRODUCED, TRANSFERRED OR INCORPORATED IN ANY OTHER PROJECT IN ANY MANNER WITHOUT THE EXPRESS WRITTEN CONSENT OF SAMTEC, INC.</p>		<p><b>samtec</b></p> <p>520 PARK EAST BLVD, NEW ALBANY, IN 47150 PHONE: 812-944-6733 FAX: 812-948-5047 e-Mail: info@SAMTEC.com code 55322</p>	
<p><b>MATERIAL:</b> DO NOT SCALE DRAWING SHEET SCALE: 2:1</p> <p>HOUSING, COVER, NUTS: BRASS PLATING: GOLD FLASH / 100µ"/200µ" Ni ALIGNMENT PINS, SCREWS: STAINLESS STEEL</p>		<p>DESCRIPTION: BE90B HOUSING, VARIABLE POSITION COUNT</p> <p>DWG. NO. BE90B-J-X-X-XX</p>	
<p>BY: EVE L</p>		<p>08/18/2022</p>	
		<p>SHEET 1 OF 4</p>	

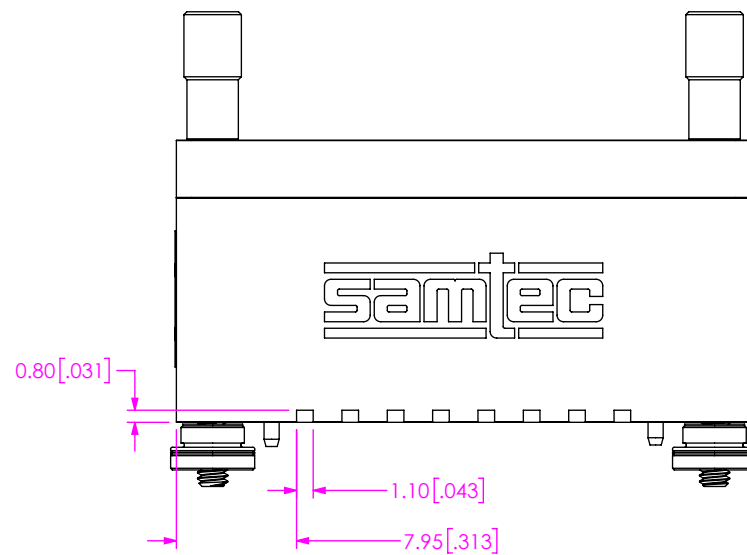
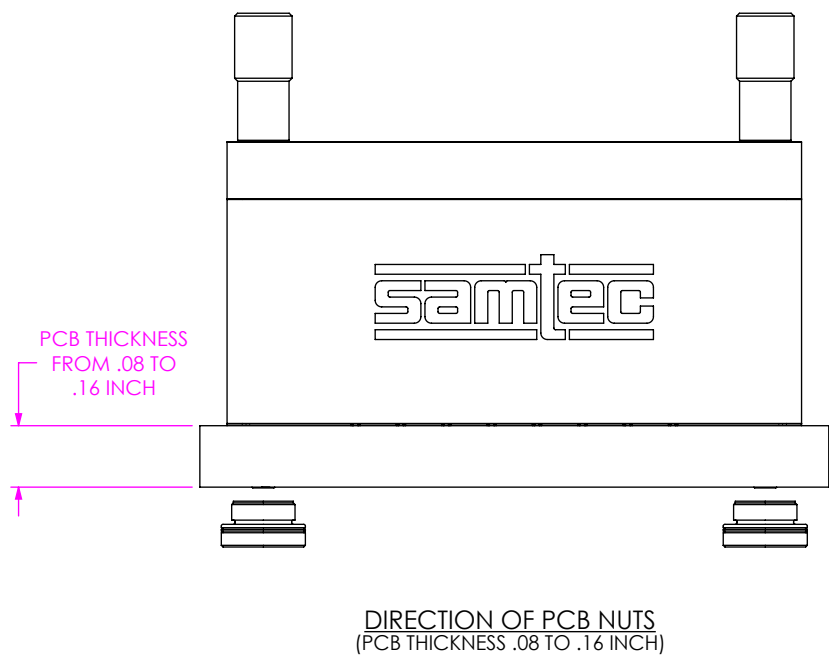
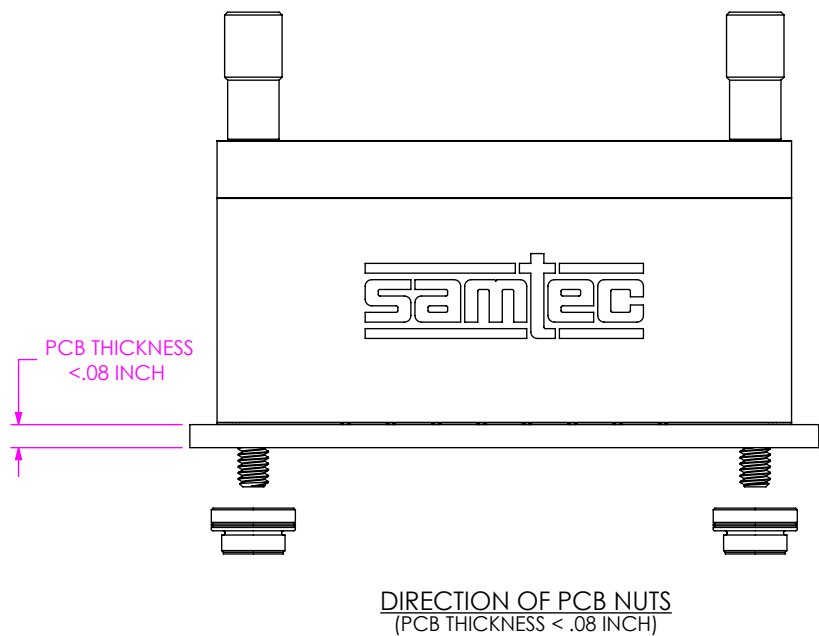


FIG 2  
BE90B-J-M-2-08 AS SHOWN  
(DIFFERENT AS SHOWN, OTHERWISE SAME AS FIG 1)

**PROPRIETARY NOTE**  
 \* THIS DOCUMENT CONTAINS CONFIDENTIAL AND PROPRIETARY INFORMATION AND ALL DESIGN, MANUFACTURING, REPRODUCTION, USE, PATENT RIGHTS AND SALES RIGHTS ARE EXPRESSLY RESERVED BY SAMTEC, INC. THIS DOCUMENT SHALL NOT BE DISCLOSED, IN WHOLE OR PART, TO ANY UNAUTHORIZED PERSON OR ENTITY NOR REPRODUCED, TRANSFERRED OR INCORPORATED IN ANY OTHER PROJECT IN ANY MANNER WITHOUT THE EXPRESS WRITTEN CONSENT OF SAMTEC, INC.

**samtec**  
 520 PARK EAST BLVD, NEW ALBANY, IN 47150  
 PHONE: 812-944-6733 FAX: 812-948-5047  
 e-Mail info@SAMTEC.com code 55322

SHEET SCALE: 2:1  
 DO NOT SCALE DRAWING

DESCRIPTION:  
 BE90B HOUSING, VARIABLE POSITION COUNT  
 DWG. NO.

BE90B-J-X-X-XX

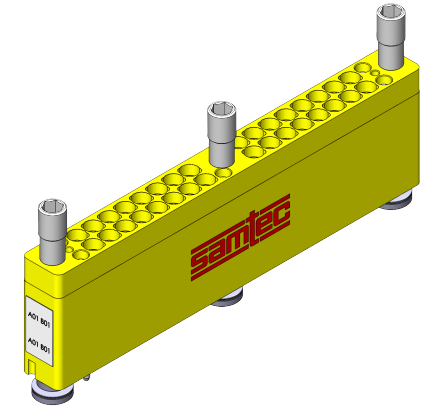
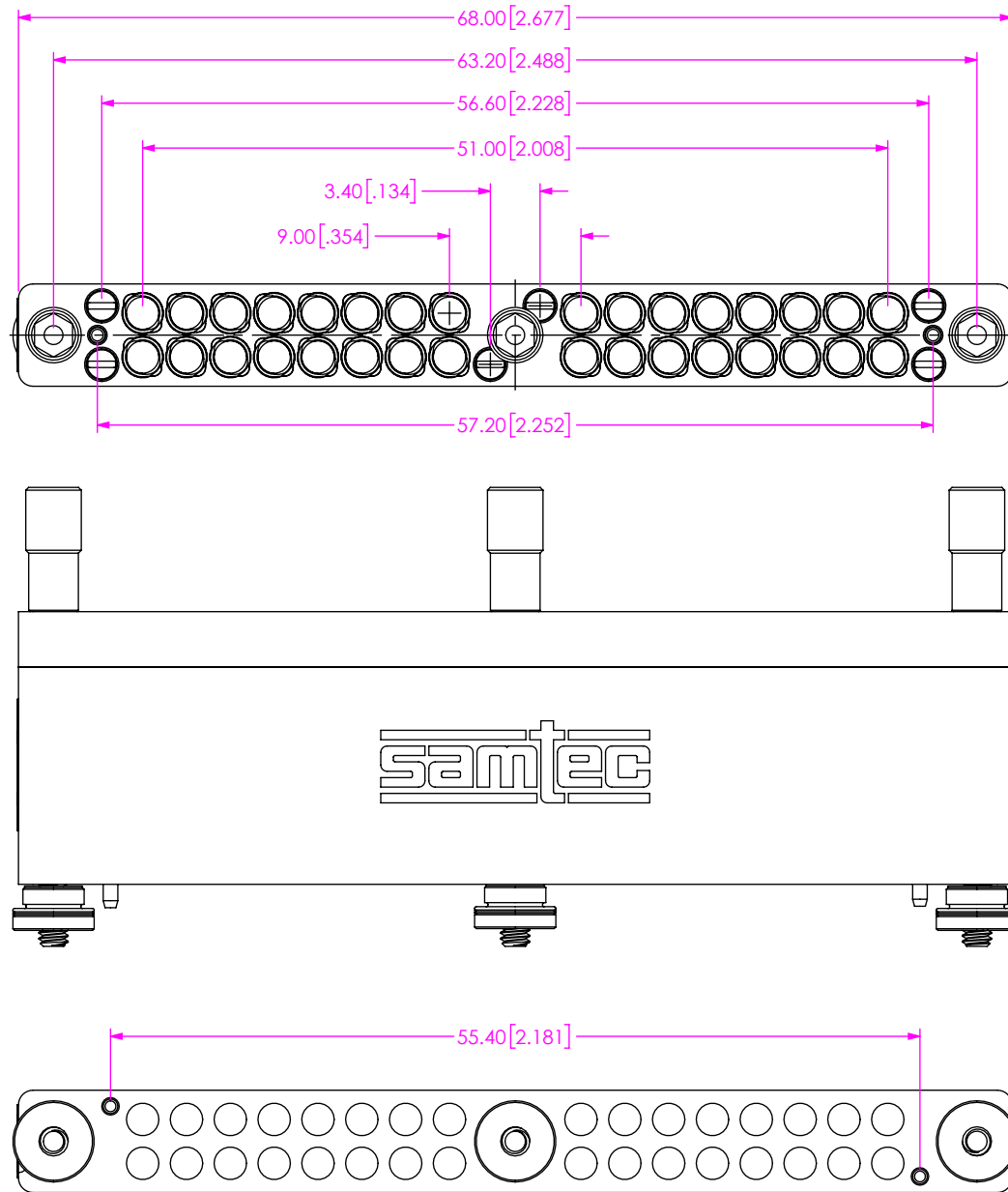


FIG 3  
BE90B-J-S-2-16 AS SHOWN  
(DIFFERENT AS SHOWN, OTHERWISE SAME AS FIG 1)

<p><b>PROPRIETARY NOTE</b> THIS DOCUMENT CONTAINS CONFIDENTIAL AND PROPRIETARY INFORMATION AND ALL DESIGN, MANUFACTURING, REPRODUCTION, USE, PATENT RIGHTS AND SALES RIGHTS ARE EXPRESSLY RESERVED BY SAMTEC, INC. THIS DOCUMENT SHALL NOT BE DISCLOSED, IN WHOLE OR PART, TO ANY UNAUTHORIZED PERSON OR ENTITY NOR REPRODUCED, TRANSFERRED OR INCORPORATED IN ANY OTHER PROJECT IN ANY MANNER WITHOUT THE EXPRESS WRITTEN CONSENT OF SAMTEC, INC.</p>	<p><b>samtec</b> 520 PARK EAST BLVD, NEW ALBANY, IN 47150 PHONE: 812-944-6733 FAX: 812-948-5047 e-Mail info@SAMTEC.com code 55322</p>
<p>SHEET SCALE: 2:1 DO NOT SCALE DRAWING</p>	<p>DESCRIPTION: BE90B HOUSING, VARIABLE POSITION COUNT DWG. NO.</p>
<p>BE90B-J-X-X-XX</p>	
<p>BY: EVE L</p>	<p>08/18/2022 SHEET 3 OF 4</p>

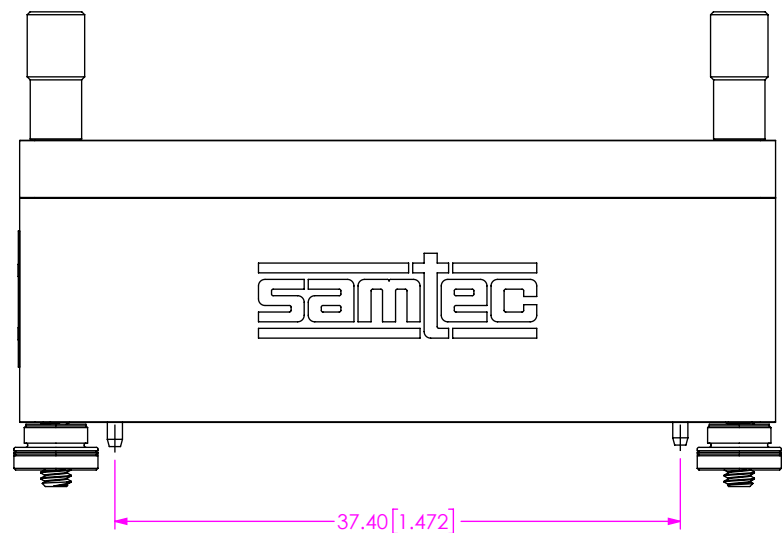
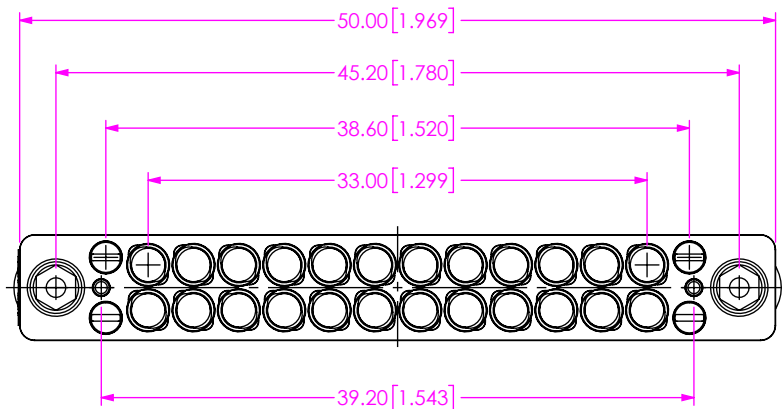


FIG 4  
BE90B-J-S-2-12 AS SHOWN  
(DIFFERENT AS SHOWN, OTHERWISE SAME AS FIG 1)

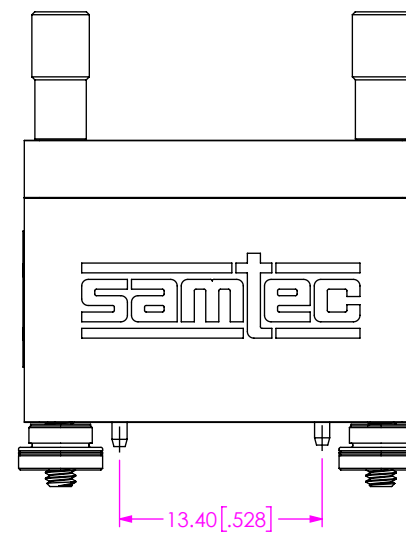
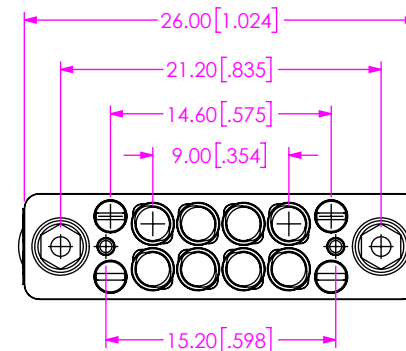


FIG 5  
BE90B-J-S-2-04 AS SHOWN  
(DIFFERENT AS SHOWN, OTHERWISE SAME AS FIG 1)

**PROPRIETARY NOTE**  
THIS DOCUMENT CONTAINS CONFIDENTIAL AND PROPRIETARY INFORMATION AND ALL DESIGN, MANUFACTURING, REPRODUCTION, USE, PATENT RIGHTS AND SALES RIGHTS ARE EXPRESSLY RESERVED BY SAMTEC, INC. THIS DOCUMENT SHALL NOT BE DISCLOSED, IN WHOLE OR PART, TO ANY UNAUTHORIZED PERSON OR ENTITY NOR REPRODUCED, TRANSFERRED OR INCORPORATED IN ANY OTHER PROJECT IN ANY MANNER WITHOUT THE EXPRESS WRITTEN CONSENT OF SAMTEC, INC.



520 PARK EAST BLVD, NEW ALBANY, IN 47150  
PHONE: 812-944-6733 FAX: 812-948-5047  
e-Mail: info@SAMTEC.com code 55322

SHEET SCALE: 2:1  
DO NOT SCALE DRAWING

DESCRIPTION:  
BE90B HOUSING, VARIABLE POSITION COUNT

DWG. NO. BE90B-J-X-X-XX

BY: EVE L 08/18/2022 SHEET 4 OF 4