

DO NOT SCALE FROM THIS PRINT

No. OF POSITIONS  
-10, -15, & -20  
(PER ROW)

OPTION  
-01: W/STRAP

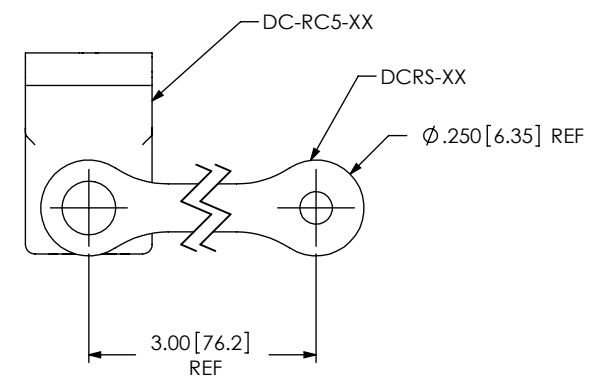
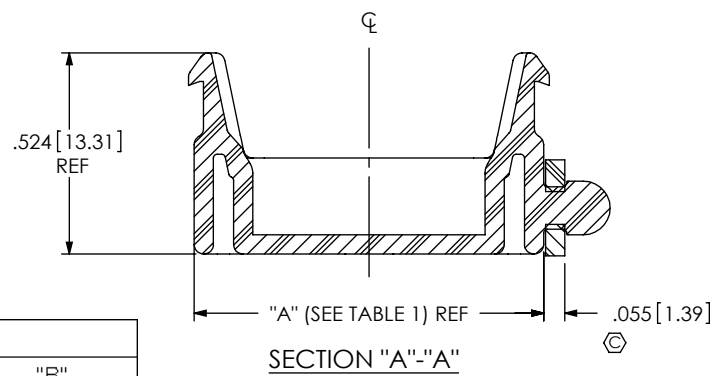
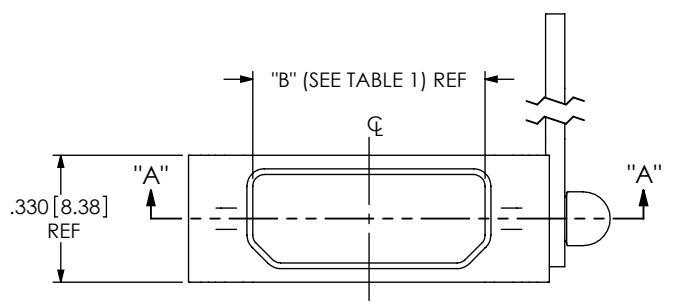
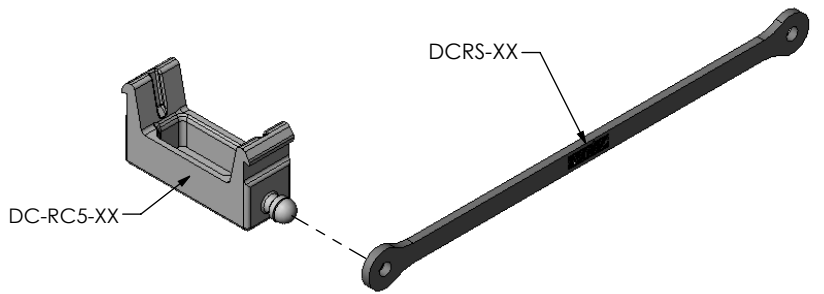



TABLE 1		
No. OF POS.	"A"	"B"
-10	.910 [23.11]	.605 [15.37]
-15	1.160 [29.46]	.855 [21.72]
-20	1.410 [35.81]	1.105 [28.07]

FIG. 1  
DCA-RC5-T0-01 SHOWN

- NOTES:
- ⊗ REPRESENTS A CRITICAL DIMENSION.
  - ⊗ COMPONENTS OF SUB-ASSEMBLY TO BE INSPECTED USING COMPONENT PRINTS.
  - MINIMUM RETENTION: 1.0 LB. [4.4N].
  - PARTS TO BE BULK PACKAGED.



UNLESS OTHERWISE SPECIFIED, DIMENSIONS ARE IN INCHES. TOLERANCES ARE: DECIMALS                      ANGLES .XX: ±.01 [0.3]                      2° .XXX: ±.005 [0.13] .XXXX: ±.0020 [0.051]	PROPRIETARY NOTE THIS DOCUMENT CONTAINS INFORMATION CONFIDENTIAL AND PROPRIETARY TO SAMTEC, INC. AND SHALL NOT BE REPRODUCED OR TRANSFERRED TO OTHER DOCUMENTS OR DISCLOSED TO OTHERS OR USED FOR ANY PURPOSE OTHER THAN THAT WHICH IT WAS OBTAINED WITHOUT THE EXPRESSED WRITTEN CONSENT OF SAMTEC, INC.		
		520 PARK EAST BLVD., NEW ALBANY, IN 47150 PHONE: 812-944-6733      FAX: 812-948-5047 e-Mail: info@SAMTEC.com      code 55322	
MATERIAL:                      DO NOT SCALE DRAWING                      SHEET SCALE: 2:1	CAP: PA66 STRAP: NATURAL RUBBER	DESCRIPTION: DUST CAP FOR RC5	DWG. NO. DCA-RC5-XX-01
BY: ROY LUO      9/29/2010		SHEET 1 OF 1	