

DESIGNED & DIMENSIONED
IN MILLIMETERS [INCHES]

DIN7A-J-P-XX-RA-BH1-X

SERIES
-7A: 75 OHM DIN 1.0/2.3

GENDER
-J: JACK

TYPE
-P: PCB

PACKAGING
-BLANK: INDIVIDUALLY BAGGED
-B: BULK PACKAGE (QTY=100 MAX)

TERMINATION
-BH1: BULKHEAD THROUGH HOLE

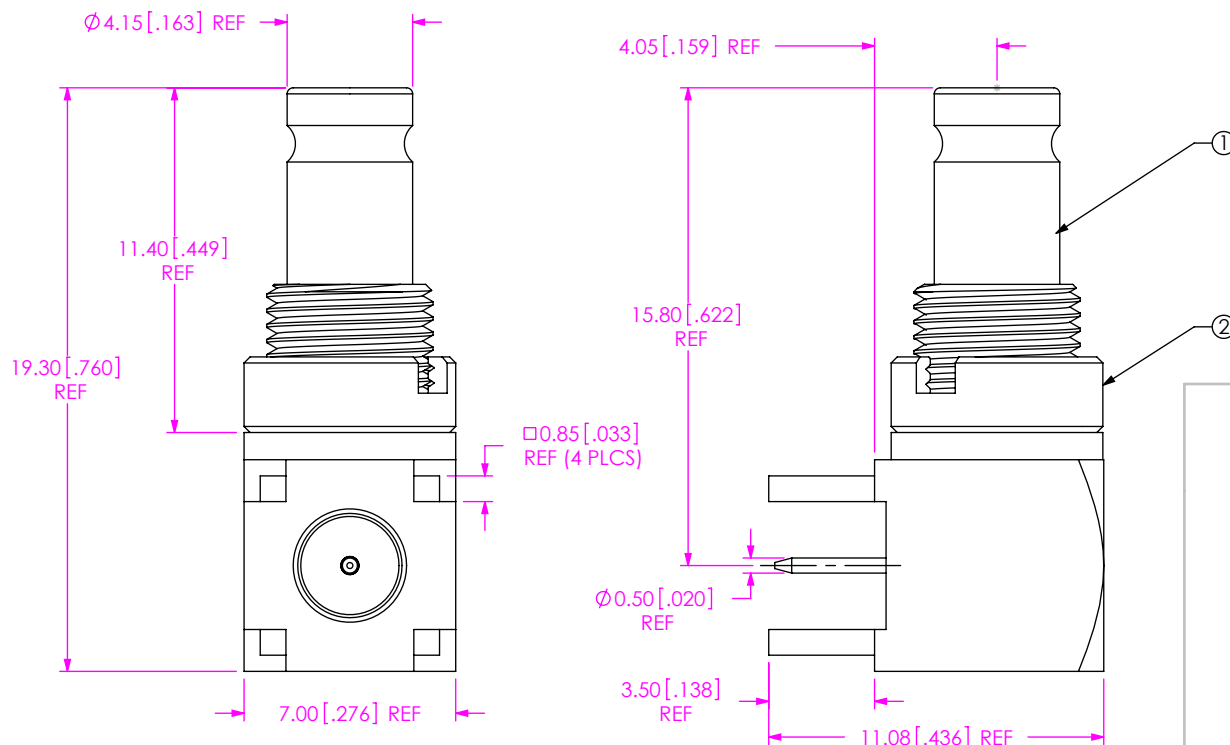
ORIENTATION
-RA: RIGHT ANGLE

PLATING SPECIFICATION
-HG: 30µ" GOLD CENTER CONTACT,
10µ" GOLD OUTER CONTACT
100µ" Ni ON BODY
-HF: 30µ" GOLD CENTER CONTACT,
3µ" GOLD OUTER CONTACT
100µ" Ni ON BODY
-GF: 10µ" GOLD CENTER CONTACT,
3µ" GOLD OUTER CONTACT
100µ" Ni ON BODY
(SEE TABLE 1)

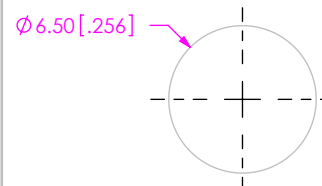
DO NOT
SCALE FROM
THIS PRINT

TABLE 1

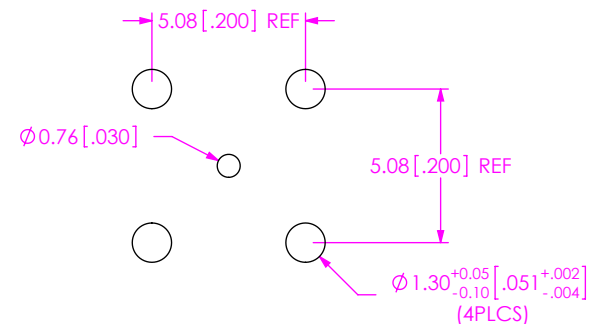
ITEM	COMPONENT	-HG	-HF	-GF
1	SUB ASSEMBLY	SUB-DIN7A-J-P-HG-RA-BH1	SUB-DIN7A-J-P-HF-RA-BH1	SUB-DIN7A-J-P-GF-RA-BH1
2	NUT	DINA-NUT-001-N		



RECOMMENDED MOUNTING HOLE
2.40 [.095] MAX PANEL THICKNESS



RECOMMENDED PCB LAYOUT



NOTES:

- ⊕ REPRESENTS A CRITICAL DIMENSION.
- DELETED.
- DELETED.
- DELETED.
- PRODUCT TO BE PACKAGED PER PRECISION RF SECTION OF PACKAGING MANUAL.
- DELETED.
- NUT TO BE PACKAGED SEPARATELY.

UNLESS OTHERWISE SPECIFIED
DIMENSIONS ARE IN MILLIMETERS

TOLERANCES ARE:

DECIMALS ANGLES
.X: ±0.3 [.01] 5°
.XX: ±0.13 [.005]
.XXX: ±0.051 [.0020]

PROPRIETARY NOTE

THIS DOCUMENT CONTAINS INFORMATION
CONFIDENTIAL AND PROPRIETARY TO
SAMTEC, INC. AND SHALL NOT BE REPRODUCED
OR TRANSFERRED TO OTHER DOCUMENTS OR
DISCLOSED TO OTHERS OR USED FOR ANY
PURPOSE OTHER THAN THAT WHICH IT WAS
OBTAINED WITHOUT THE EXPRESSED WRITTEN
CONSENT OF SAMTEC, INC.

MATERIAL: DO NOT SCALE DRAWING SHEET SCALE: 4:1
SHELL,BODY,NUT,WASHER: BRASS
CENTER CONTACT: COPPER ALLOY
DIELECTRIC: PTFE

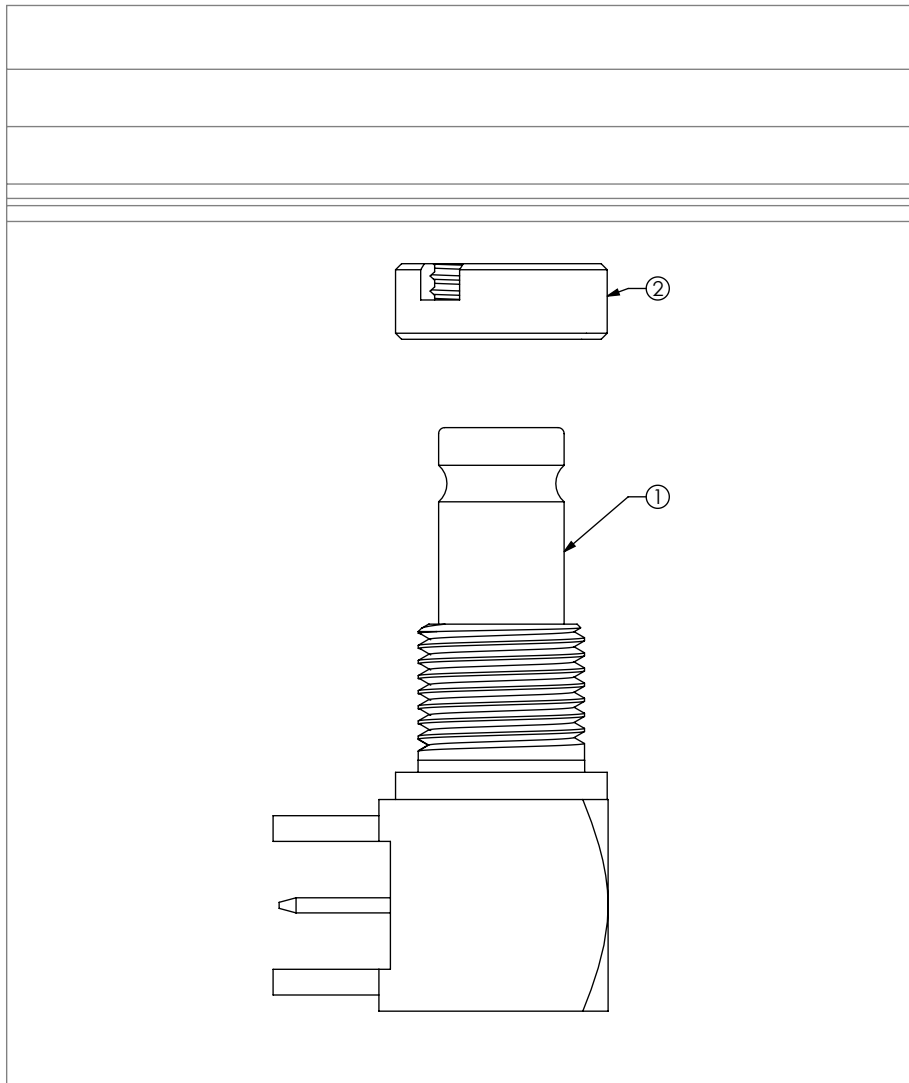
samtec

520 PARK EAST BLVD, NEW ALBANY, IN 47150
PHONE: 812-944-6733 FAX: 812-948-5047
e-Mail: info@SAMTEC.com code: 55322

DESCRIPTION:
TRUE 75 OHM RIGHT ANGLE JACK ASSEMBLY

DWG. NO.
DIN7A-J-P-XX-RA-BH1-X

BY: talonz 03/19/2010 SHEET 1 OF 2



DIN7A-J-P-XX-RA-BH1 SHOWN

<p>PROPRIETARY NOTE</p> <p>THIS DOCUMENT CONTAINS CONFIDENTIAL AND PROPRIETARY INFORMATION AND ALL DESIGN, MANUFACTURING, REPRODUCTION, USE, PATENT RIGHTS AND SALES RIGHTS ARE EXPRESSLY RESERVED BY SAMTEC, INC. THIS DOCUMENT SHALL NOT BE DISCLOSED, IN WHOLE OR PART, TO ANY UNAUTHORIZED PERSON OR ENTITY NOR REPRODUCED, TRANSFERRED OR INCORPORATED IN ANY OTHER PROJECT IN ANY MANNER WITHOUT THE EXPRESS WRITTEN CONSENT OF SAMTEC, INC.</p>	 <p>520 PARK EAST BLVD, NEW ALBANY, IN 47150 PHONE: 812-944-6733 FAX: 812-948-5047 e-Mail: info@SAMTEC.com code: 55322</p>
<p>DO NOT SCALE DRAWING SHEET SCALE: 2:1 INSULATOR: CONTACT OR TERMINAL: SHIELD: PHOS BRONZE PLATING: CONTACT AREA: .000010 REF GOLD REMAINDER: .000200 REF TIN</p>	<p>DESCRIPTION: TRUE 75 OHM RIGHT ANGLE JACK ASSEMBLY DWG. NO. DIN7A-J-P-XX-RA-BH1-X BY: talonz 03/19/2010 SHEET 2 OF 2</p>