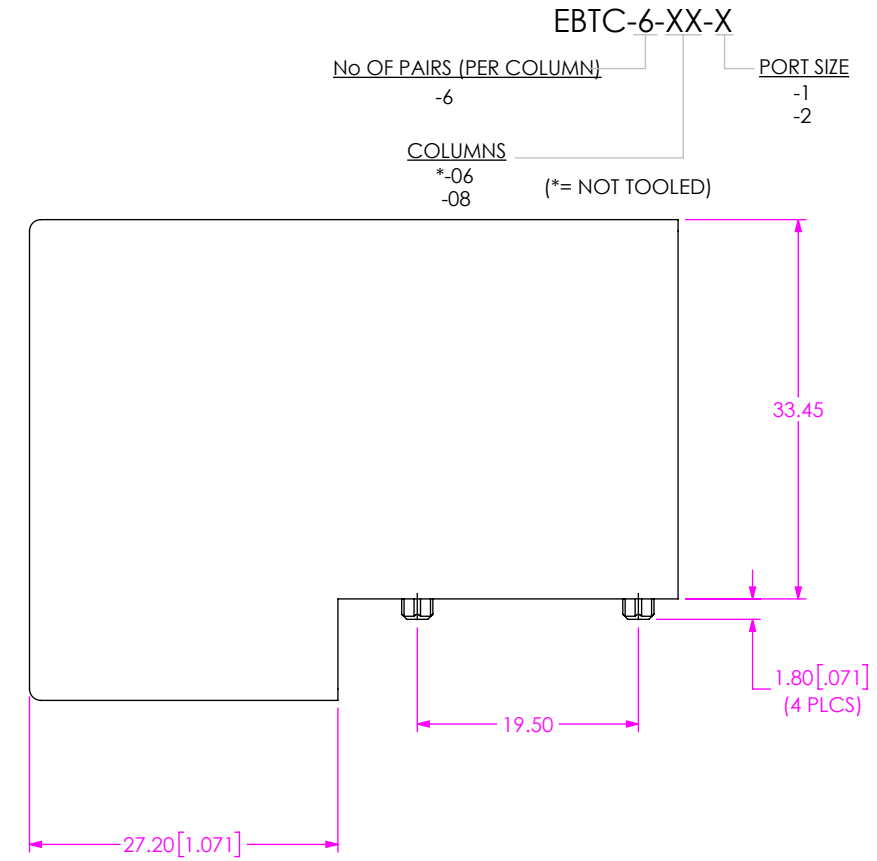
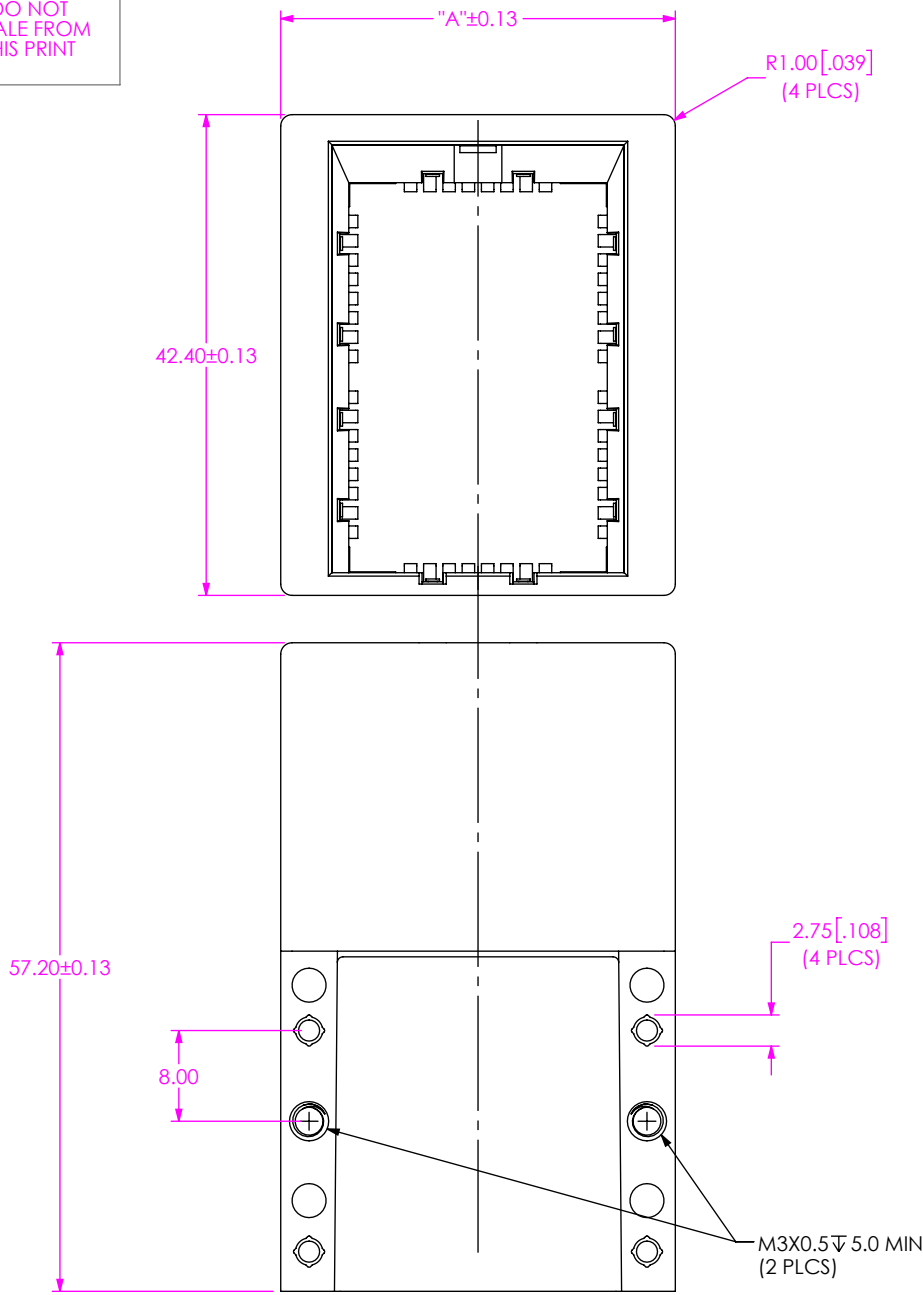


DESIGNED AND DIMENSIONED IN MILLIMETERS [INCHES]
 ALL DIMENSIONS REFERENCE EXCEPT AS SHOWN

DO NOT SCALE FROM THIS PRINT



EBTC-6-XX-X


No OF PAIRS (PER COLUMN) ——— PORT SIZE
 -6 ——— -1
 ——— -2

COLUMNS ———
 *-06
 -08 (*= NOT TOOLED)

FIG 1
 EBTC-6-08-1 SHOWN

| TABLE 1 | |
|---------|-------|
| COLUMNS | "A" |
| -06 | 30.80 |
| -08 | 34.80 |

- NOTES:
1. PARTS TO BE PACKAGED IN TRAYS.
 2. ORDERS WILL BE PACKAGED ACCORDING TO THE SAMTEC PACKAGING EFFICIENCY STANDARDS (SPES) FOUND ON WWW.SAMTEC.COM
 3. PANEL TO BE LOCATED WITHIN THIS RANGE.

| | | | |
|---|---|---|---------------------|
| <p>PROPRIETARY NOTE</p> <p>THIS DOCUMENT CONTAINS CONFIDENTIAL AND PROPRIETARY INFORMATION AND ALL DESIGN, MANUFACTURING, REPRODUCTION, USE, PATENT RIGHTS AND SALES RIGHTS ARE EXPRESSLY RESERVED BY SAMTEC, INC. THIS DOCUMENT SHALL NOT BE DISCLOSED, IN WHOLE OR PART, TO ANY UNAUTHORIZED PERSON OR ENTITY NOR REPRODUCED, TRANSFERRED OR INCORPORATED IN ANY OTHER PROJECT IN ANY MANNER WITHOUT THE EXPRESS WRITTEN CONSENT OF SAMTEC, INC.</p> |  <p>520 PARK EAST BLVD, NEW ALBANY, IN 47150 PHONE: 812-944-6733 FAX: 812-948-5047 e-Mail info@SAMTEC.com code 55322</p> | | |
| | <p>DO NOT SCALE DRAWING SHEET SCALE: 3:2</p> | <p>DESCRIPTION: DIE CAST FRAME, EXAMAX IO EXTERNAL CABLE PORT</p> | |
| | <p>MATERIAL: DIE CAST: NICKEL PLATED ZINC ALLOY SPRING FINGER: SS</p> | <p>DWG. NO. EBTC-6-XX-X</p> | |
| <p>BY: WILLY Y</p> | | <p>6/17/2023</p> | <p>SHEET 1 OF 4</p> |

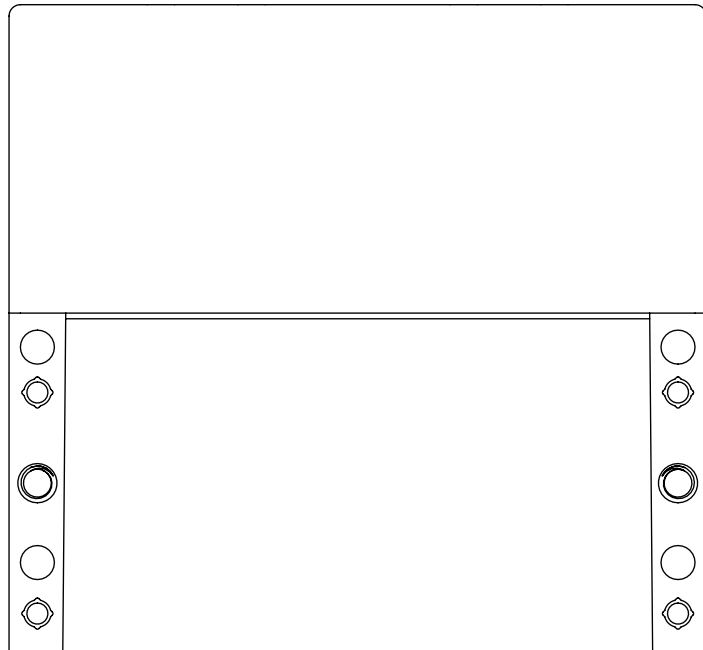
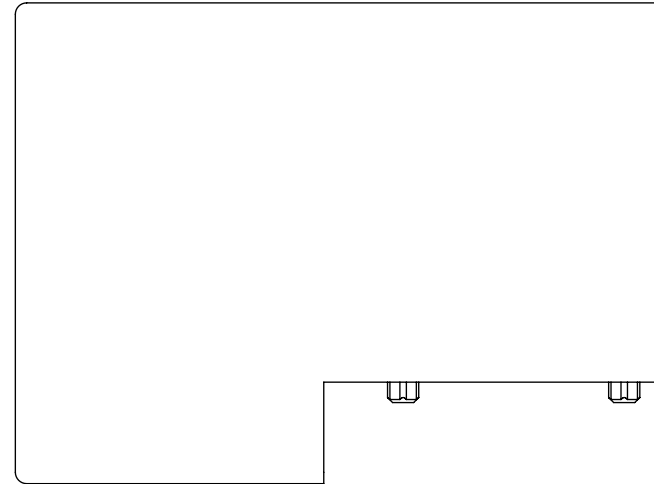
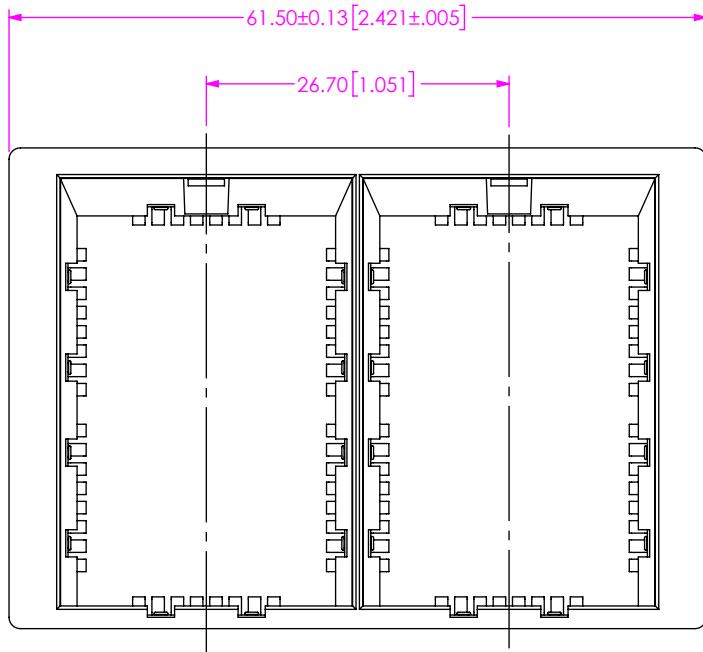



FIG 2
 EBTC-6-08-2 SHOWN
 (DIFFERENCE AS SHOWN, OTHERWISE SAME AS FIG 1)

| | | |
|---|---|---|
| <p>PROPRIETARY NOTE</p> <p>THIS DOCUMENT CONTAINS CONFIDENTIAL AND PROPRIETARY INFORMATION AND ALL DESIGN, MANUFACTURING, REPRODUCTION, USE, PATENT RIGHTS AND SALES RIGHTS ARE EXPRESSLY RESERVED BY SAMTEC, INC. THIS DOCUMENT SHALL NOT BE DISCLOSED, IN WHOLE OR PART, TO ANY UNAUTHORIZED PERSON OR ENTITY NOR REPRODUCED, TRANSFERRED OR INCORPORATED IN ANY OTHER PROJECT IN ANY MANNER WITHOUT THE EXPRESS WRITTEN CONSENT OF SAMTEC, INC.</p> |  <p>520 PARK EAST BLVD, NEW ALBANY, IN 47150 PHONE: 812-944-6733 FAX: 812-948-5047 e-Mail info@SAMTEC.com code 55322</p> | |
| | <p>SHEET SCALE: 1:1 DO NOT SCALE DRAWING</p> | <p>DESCRIPTION: DIE CAST FRAME, EXAMAX IO EXTERNAL CABLE PORT</p> |
| | <p>DWG. NO. EBTC-6-XX-X</p> | <p>BY: WILLY Y 6/17/2023 SHEET 2 OF 4</p> |

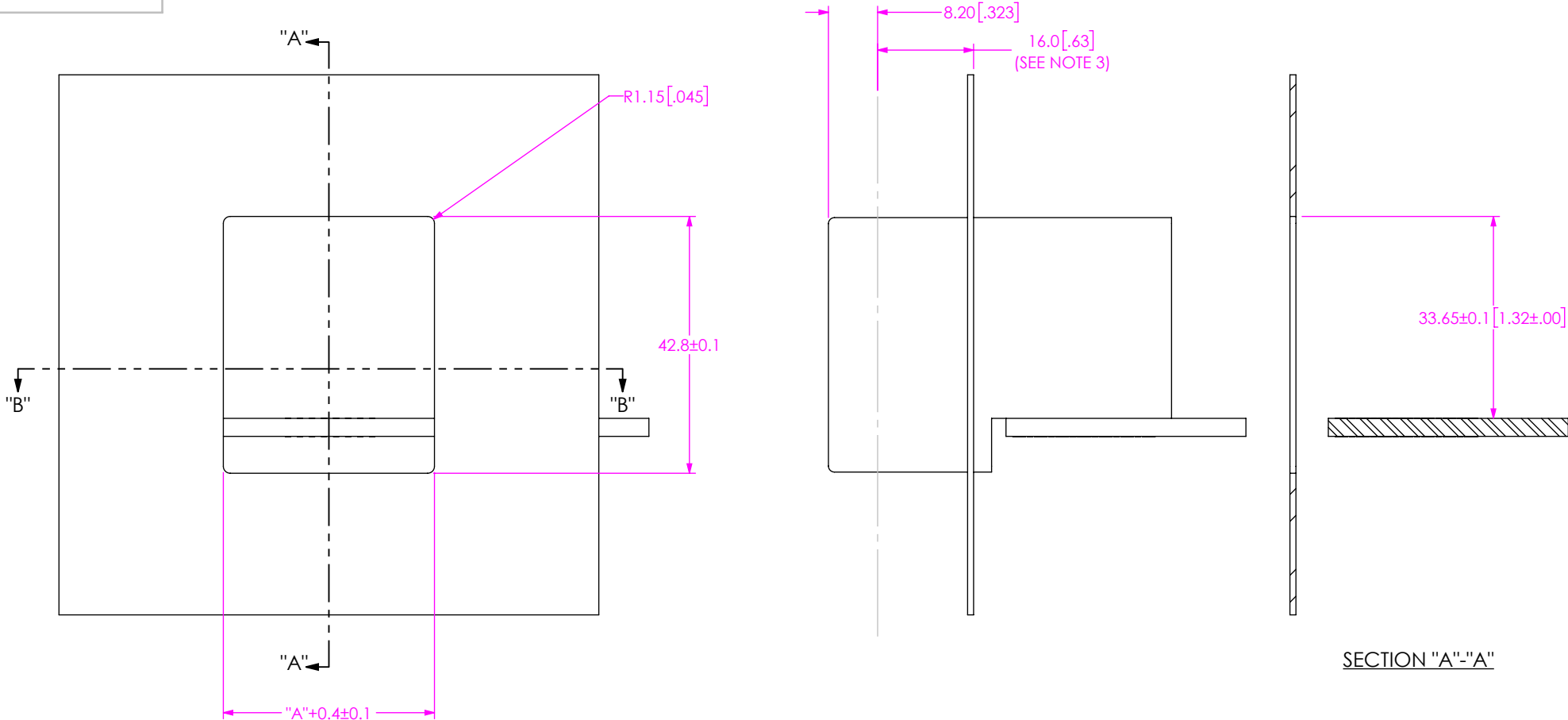
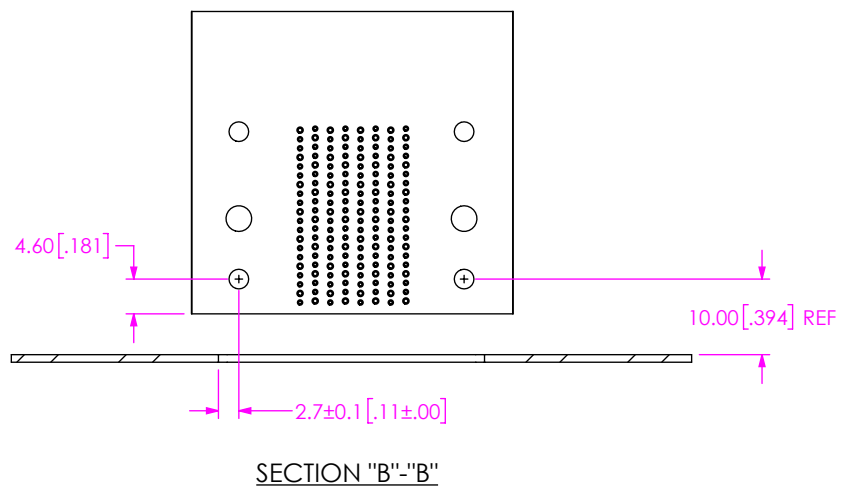
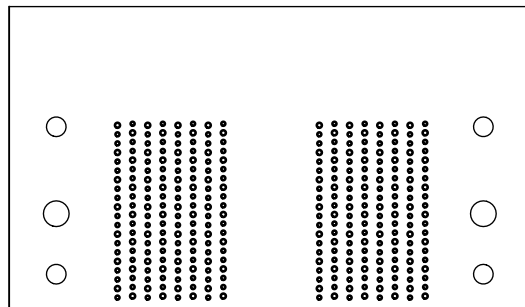
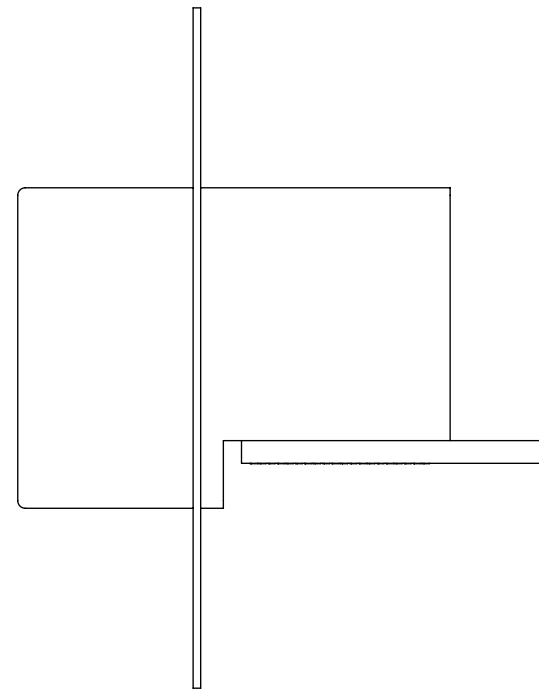
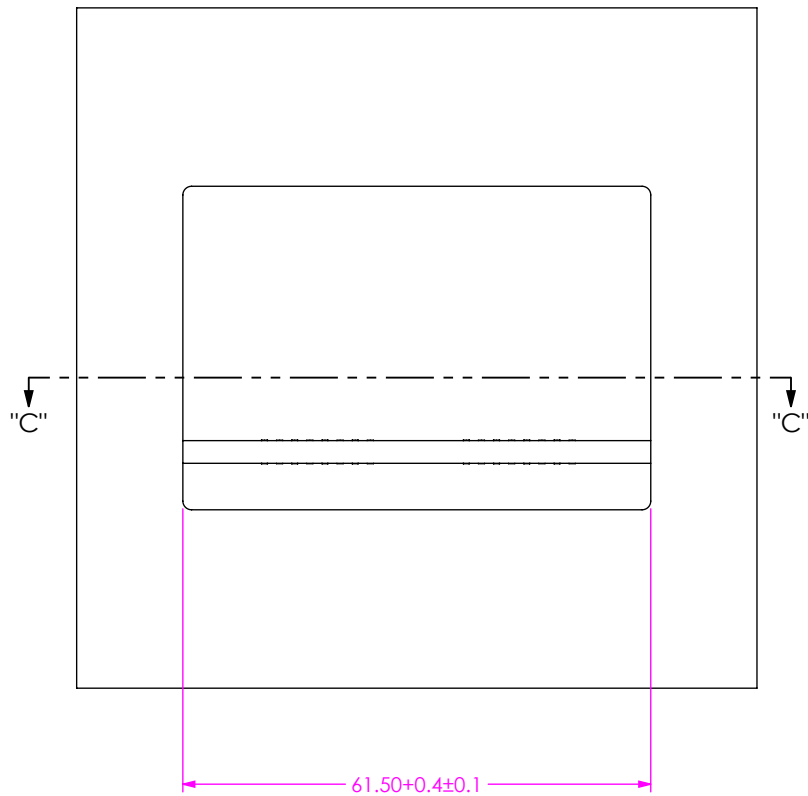


FIG 3
EBTC-6-08-1 PANEL CUT OUT SHOWN




| | | |
|---|--|--------------------|
| <p>PROPRIETARY NOTE</p> <p>THIS DOCUMENT CONTAINS CONFIDENTIAL AND PROPRIETARY INFORMATION AND ALL DESIGN, MANUFACTURING, REPRODUCTION, USE, PATENT RIGHTS AND SALES RIGHTS ARE EXPRESSLY RESERVED BY SAMTEC, INC. THIS DOCUMENT SHALL NOT BE DISCLOSED, IN WHOLE OR PART, TO ANY UNAUTHORIZED PERSON OR ENTITY NOR REPRODUCED, TRANSFERRED OR INCORPORATED IN ANY OTHER PROJECT IN ANY MANNER WITHOUT THE EXPRESS WRITTEN CONSENT OF SAMTEC, INC.</p> | <p>samtec</p> <p>520 PARK EAST BLVD, NEW ALBANY, IN 47150 PHONE: 812-944-6733 FAX: 812-948-5047 e-Mail info@SAMTEC.com code 55322</p> | |
| | <p>DESCRIPTION: DIE CAST FRAME, EXAMAX IO EXTERNAL CABLE PORT</p> | |
| | <p>DWG. NO. EBTC-6-XX-X</p> | |
| | <p>SHEET SCALE: 1:1 DO NOT SCALE DRAWING</p> | <p>BY: WILLY Y</p> |



SECTION "C"-"C"

FIG 4
EBTC-6-08-2 PANEL CUT OUT SHOWN
(DIFFERENCE AS SHOWN, OTHERWISE SAME AS FIG 3)

| | | |
|---|---|---|
| <p>PROPRIETARY NOTE</p> <p>THIS DOCUMENT CONTAINS CONFIDENTIAL AND PROPRIETARY INFORMATION AND ALL DESIGN, MANUFACTURING, REPRODUCTION, USE, PATENT RIGHTS AND SALES RIGHTS ARE EXPRESSLY RESERVED BY SAMTEC, INC. THIS DOCUMENT SHALL NOT BE DISCLOSED, IN WHOLE OR PART, TO ANY UNAUTHORIZED PERSON OR ENTITY NOR REPRODUCED, TRANSFERRED OR INCORPORATED IN ANY OTHER PROJECT IN ANY MANNER WITHOUT THE EXPRESS WRITTEN CONSENT OF SAMTEC, INC.</p> |  | |
| | <p>520 PARK EAST BLVD, NEW ALBANY, IN 47150 PHONE: 812-944-6733 FAX: 812-948-5047 e-Mail info@SAMTEC.com code 55322</p> | |
| | <p>SHEET SCALE: 1:1 DO NOT SCALE DRAWING</p> | <p>DESCRIPTION: DIE CAST FRAME, EXAMAX IO EXTERNAL CABLE PORT</p> |
| <p>BY: WILLY Y</p> | <p>6/17/2023</p> | <p>SHEET 4 OF 4</p> |