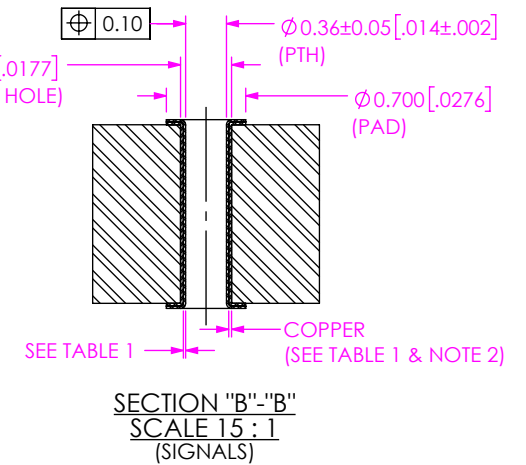
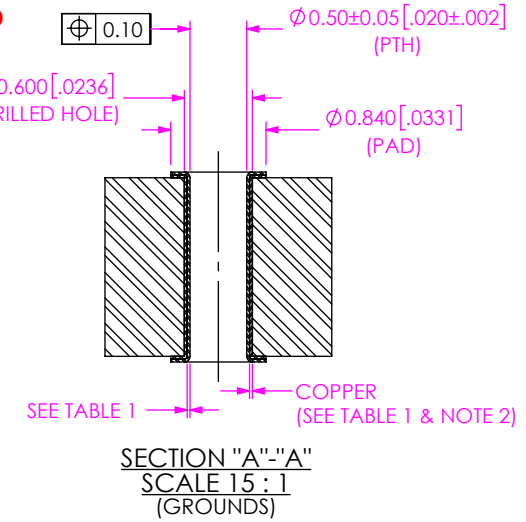


FIG 1  
EBTM-6-12-2.0-X-RA-X SHOWN

DESIGNED & DIMENSIONED  
IN MILLIMETERS [INCHES]



NOTES:

1. CONNECTOR ENVELOPE DIMENSIONS. OTHER COMPONENTS PLACED ON PCB SHALL AVOID THIS ZONE.
2. COPPER PLATING THICKNESS MAY NOT VARY BY MORE THAN 0.02[.001] WITHIN ANY VIA.
3. CONTACT SAMTEC FOR CONNECTOR PRESS FIT INSTRUCTIONS AND REQUIRED FIXTURES.
4. LEFT AND RIGHT GUIDANCE CONNECTORS INCLUDE A METAL HOLD-DOWN INSERT AND UTILIZE M2 SCREWS TO SECURE THE CONNECTOR TO THE PCB. DO NOT PUT TOP LEVEL TRACES OR VIAS IN THESE KEEP OUT ZONES. IF SCREWS HAVE AN OUTSIDE DIAMETER LARGER THAN 5.0MM, THEN ADDITIONAL CLEARANCE WILL BE REQUIRED FOR THE BOTTOM OF THE PCB.
5. FOR -1 STANDARD PIN CONFIGURATION, ALL GROUNDS WITHIN A COLUMN ARE COMMON.

TIN (IMMERSION)	Cu	0.020-0.069 [0.0008-.0027]
	Sn	0.001-0.002 [0.00004-.00008]

COLUMNS	"A"	"B"	"C"	"K"	"L"
-06	11.90 [0.469]	10.00 [0.394]	18.35 [0.722]	1.15 [0.045]	0.75 [0.030]
-08	15.90 [0.626]	14.00 [0.551]	22.35 [0.880]	1.15 [0.045]	0.75 [0.030]
-10	19.90 [0.783]	18.00 [0.709]	26.35 [1.037]	1.15 [0.045]	0.75 [0.030]
-12	23.90 [0.941]	22.00 [0.866]	30.35 [1.195]	1.15 [0.045]	0.75 [0.030]

PROPRIETARY NOTE  
THIS DOCUMENT CONTAINS CONFIDENTIAL AND PROPRIETARY INFORMATION AND ALL DESIGN, MANUFACTURING, REPRODUCTION, USE, PATENT RIGHTS AND SALES RIGHTS ARE EXPRESSLY RESERVED BY SAMTEC, INC. THIS DOCUMENT SHALL NOT BE DISCLOSED, IN WHOLE OR PART, TO ANY UNAUTHORIZED PERSON OR ENTITY NOR REPRODUCED, TRANSFERRED OR INCORPORATED IN ANY OTHER PRODUCT IN ANY MANNER WITHOUT THE EXPRESS WRITTEN CONSENT OF SAMTEC, INC.



520 PARK EAST BLVD., NEW ALBANY, IN 47150  
PHONE: 812-944-6733 FAX: 812-948-5047  
e-Mail info@SAMTEC.com code 55322

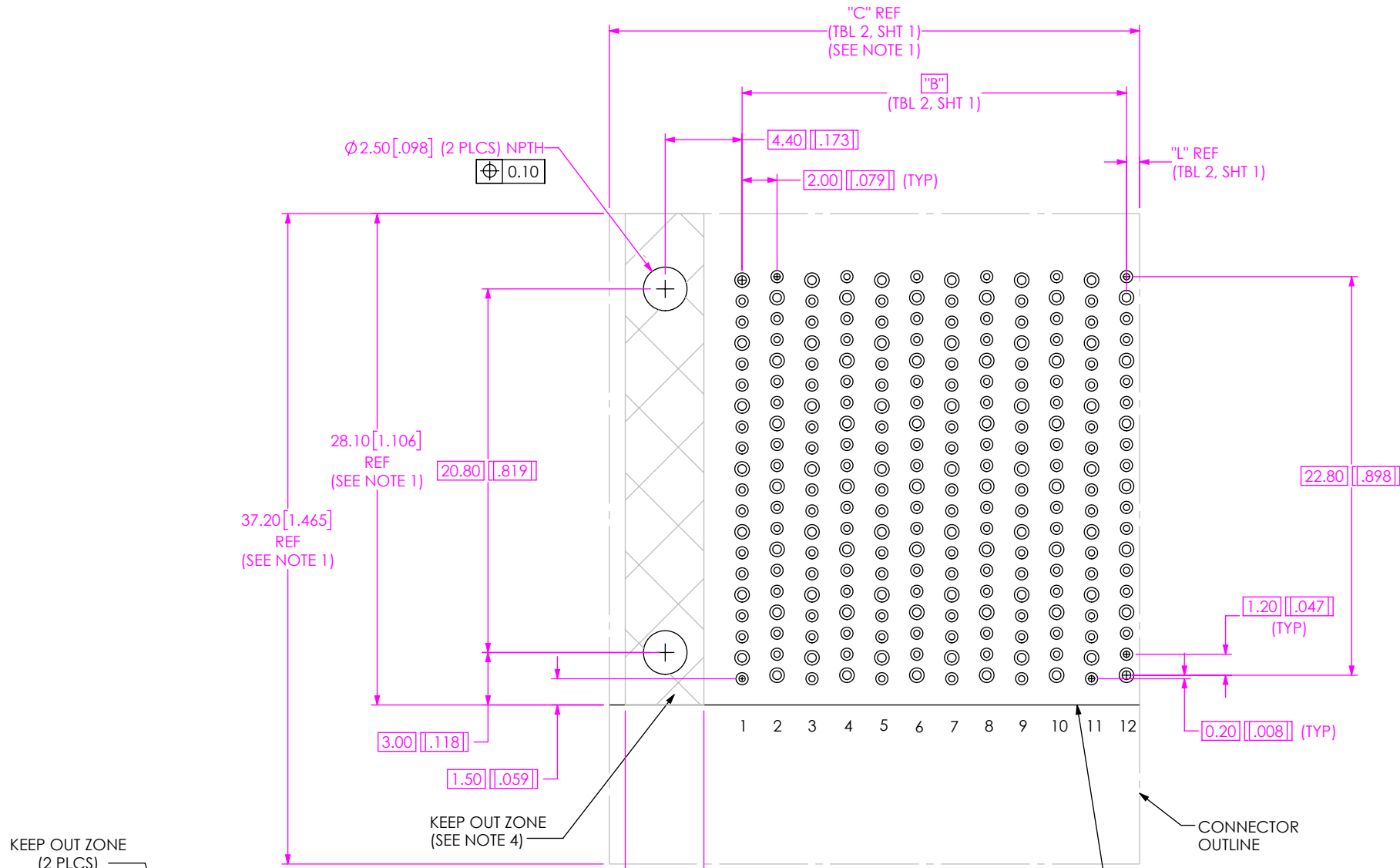
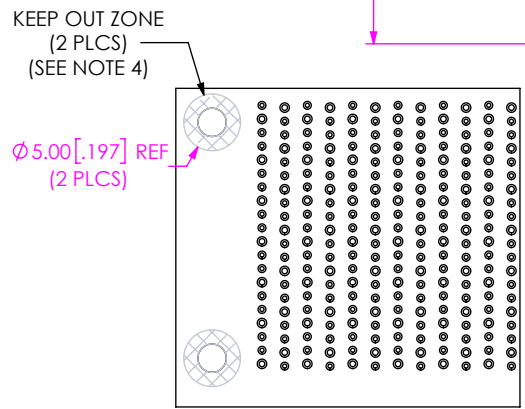


FIG 2 (TOP VIEW)  
EBTM-6-12-2.0-X-RA-X-R-X SHOWN  
(DIFFERENT AS SHOWN, OTHERWISE SAME AS FIG 1)



**PROPRIETARY NOTE**  
THIS DOCUMENT CONTAINS CONFIDENTIAL AND PROPRIETARY INFORMATION AND ALL DESIGN, MANUFACTURING, REPRODUCTION, USE, PATENT RIGHTS AND SALES RIGHTS ARE EXPRESSLY RESERVED BY SAMTEC, INC. THIS DOCUMENT SHALL NOT BE DISCLOSED, IN WHOLE OR PART, TO ANY UNAUTHORIZED PERSON OR ENTITY NOR REPRODUCED, TRANSFERRED OR INCORPORATED IN ANY OTHER PROJECT IN ANY MANNER WITHOUT THE EXPRESS WRITTEN CONSENT OF SAMTEC, INC.



520 PARK EAST BLVD, NEW ALBANY, IN 47150  
PHONE: 812-944-6733 FAX: 812-948-5047  
e-Mail info@SAMTEC.com code 55322

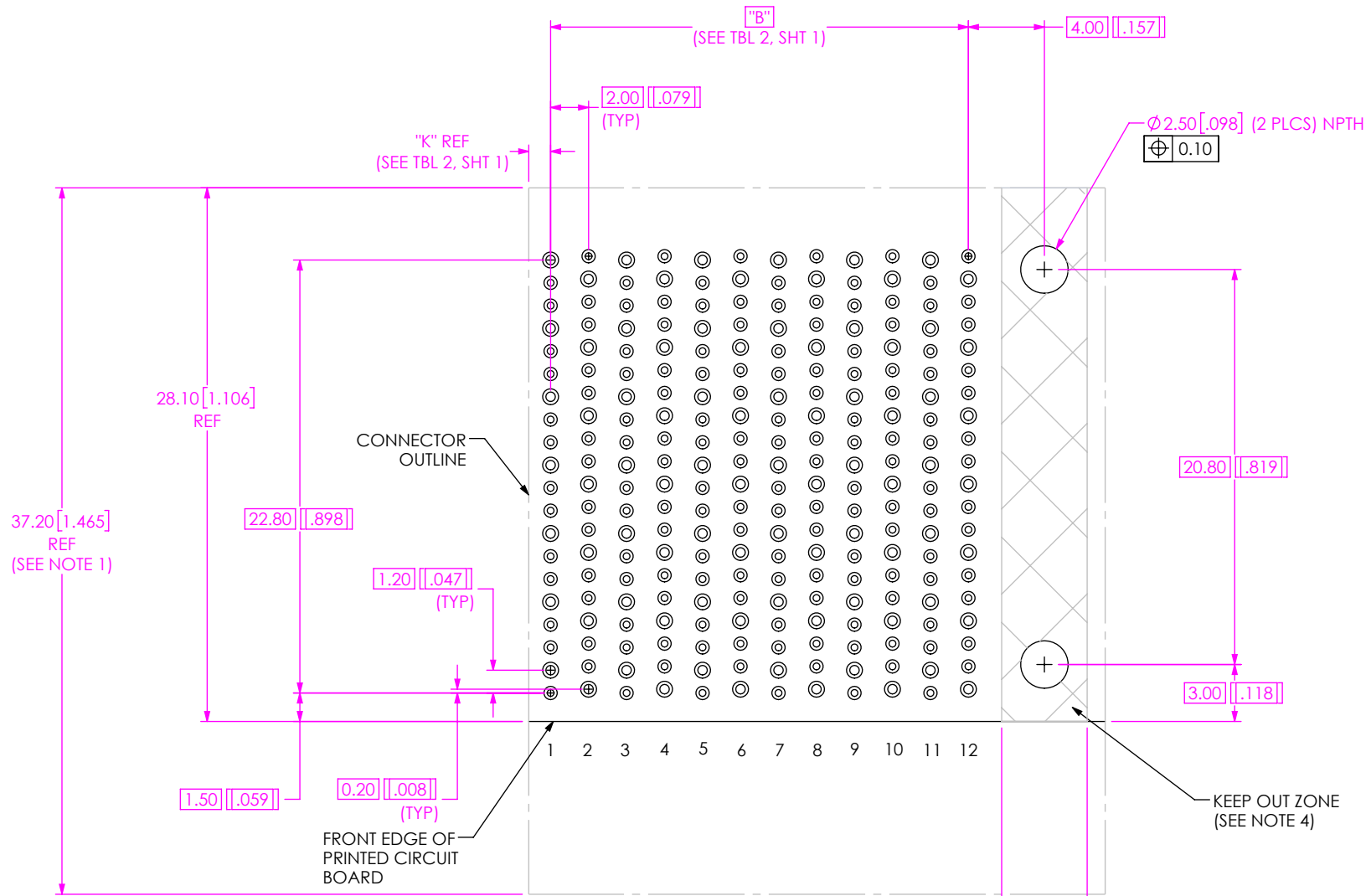


FIG 3 (TOP VIEW)  
EBTM-6-12-2.0-X-RA-X-L-X SHOWN  
(DIFFERENT AS SHOWN, OTHERWISE SAME AS FIG 2)

**PROPRIETARY NOTE**  
THIS DOCUMENT CONTAINS CONFIDENTIAL AND PROPRIETARY INFORMATION AND ALL DESIGN, MANUFACTURING, REPRODUCTION, USE, PATENT RIGHTS AND SALES RIGHTS ARE EXPRESSLY RESERVED BY SAMTEC, INC. THIS DOCUMENT SHALL NOT BE DISCLOSED, IN WHOLE OR IN PART, TO ANY UNAUTHORIZED PERSON OR ENTITY NOR REPRODUCED, TRANSFERRED OR INCORPORATED IN ANY OTHER PROJECT IN ANY MANNER WITHOUT THE EXPRESS WRITTEN CONSENT OF SAMTEC, INC.



520 PARK EAST BLVD, NEW ALBANY, IN 47150  
PHONE: 812-944-6733 FAX: 812-948-5047  
e-Mail info@SAMTEC.com code 55322

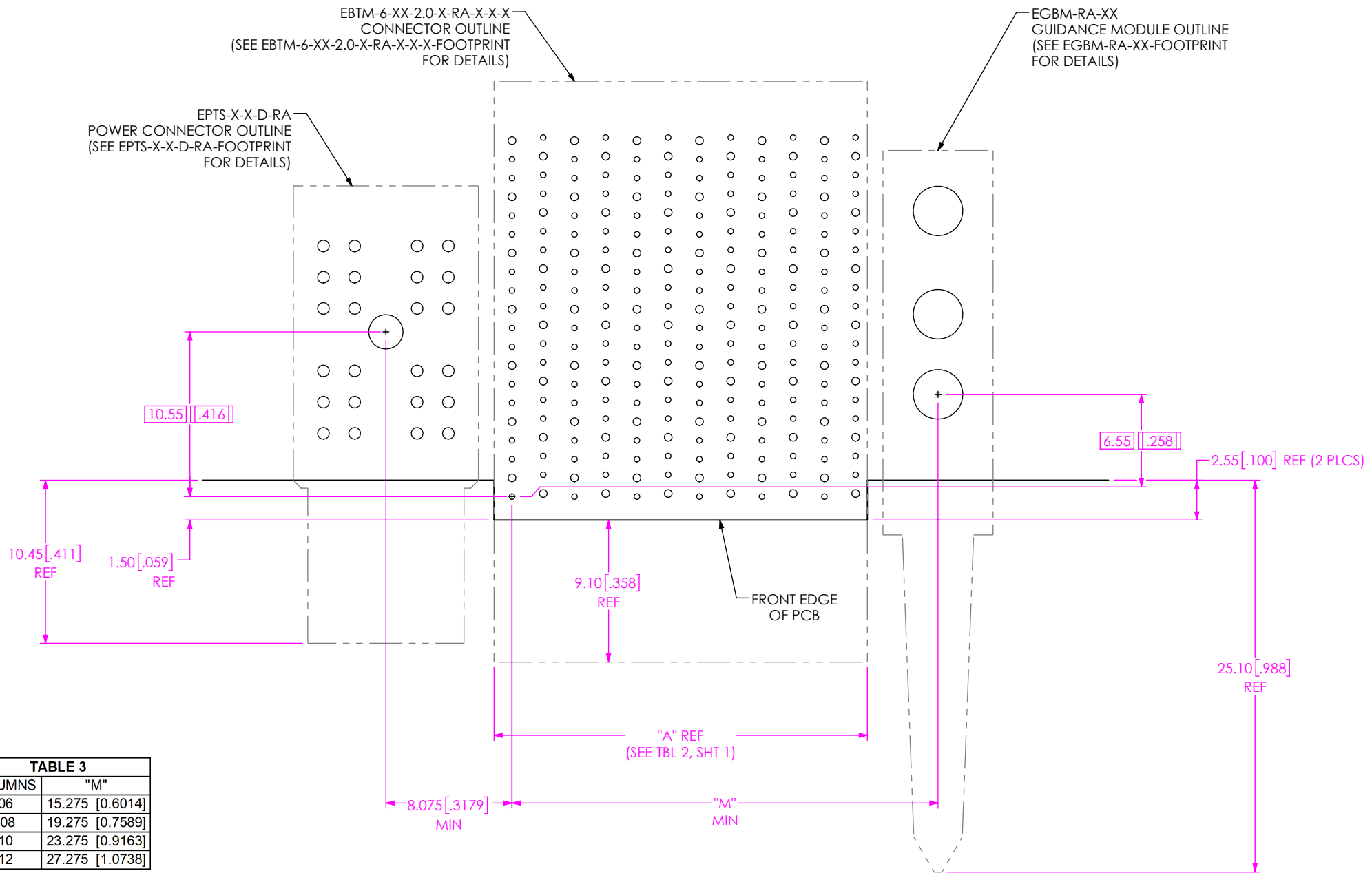


TABLE 3

COLUMNS	"M"
-06	15.275 [0.6014]
-08	19.275 [0.7589]
-10	23.275 [0.9163]
-12	27.275 [1.0738]

FIG 4  
SIGNAL, POWER AND GUIDANCE COMBO  
EGBM-RA-XX-FOOTPRINT, EPTS-X-X-XX.X-D-RA-FOOTPRINT  
AND EBTM-6-12-2.0-X-RA-X-X-X-FOOTPRINT SHOWN

PROPRIETARY NOTE  
THIS DOCUMENT CONTAINS CONFIDENTIAL AND  
PROPRIETARY INFORMATION AND ALL DESIGN,  
MANUFACTURING, REPRODUCTION, USE, PATENT RIGHTS  
AND SALES RIGHTS ARE EXPRESSLY RESERVED BY SAMTEC,  
INC. THIS DOCUMENT SHALL NOT BE DISCLOSED, IN WHOLE  
OR PART, TO ANY UNAUTHORIZED PERSON OR ENTITY NOR  
REPRODUCED, TRANSFERRED OR INCORPORATED IN ANY  
OTHER PROJECT IN ANY MANNER WITHOUT THE EXPRESS  
WRITTEN CONSENT OF SAMTEC, INC.



520 PARK EAST BLVD, NEW ALBANY, IN 47150  
PHONE: 812-944-6733 FAX: 812-948-5047  
e-Mail info@SAMTEC.com code 55322

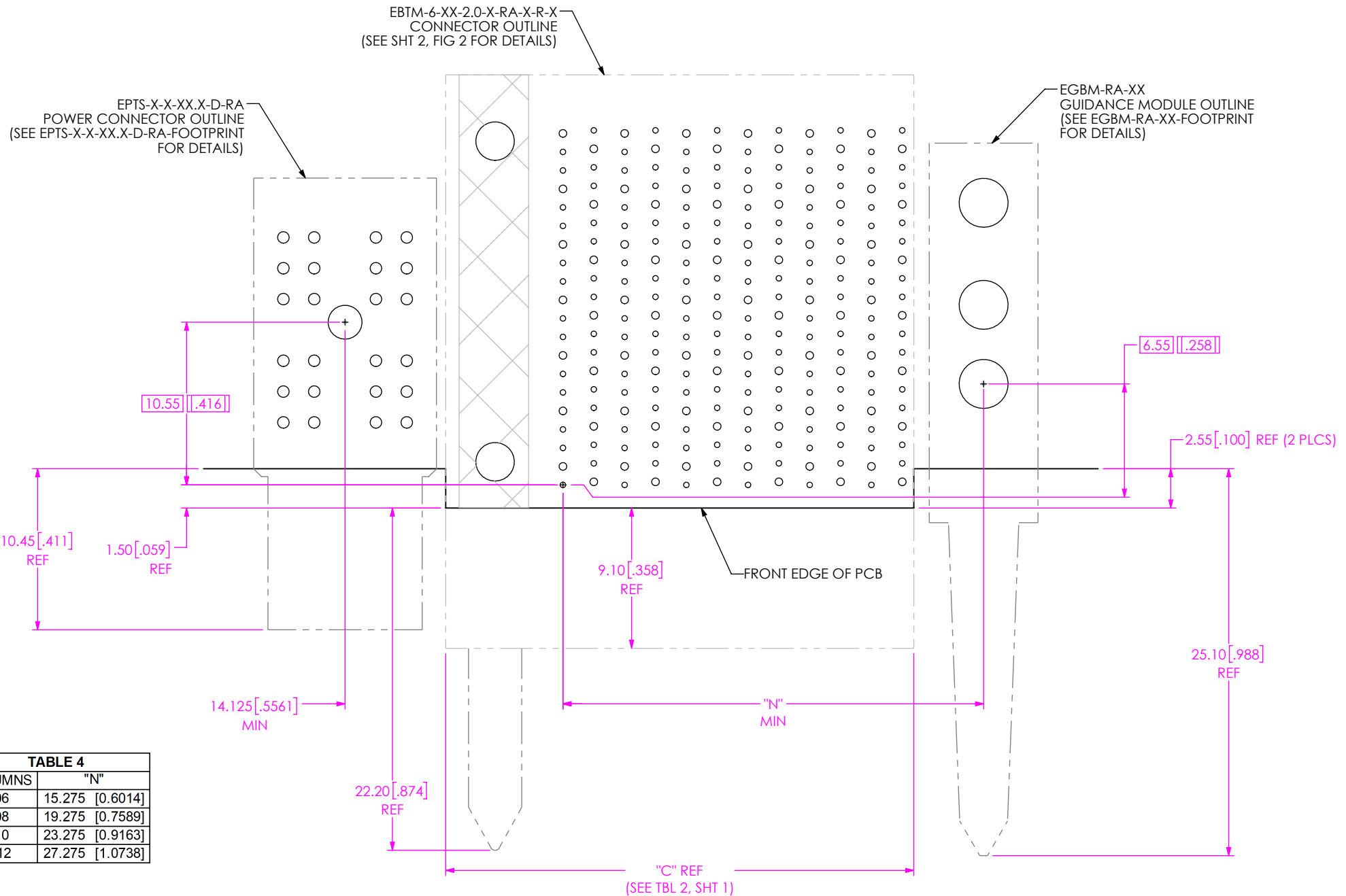
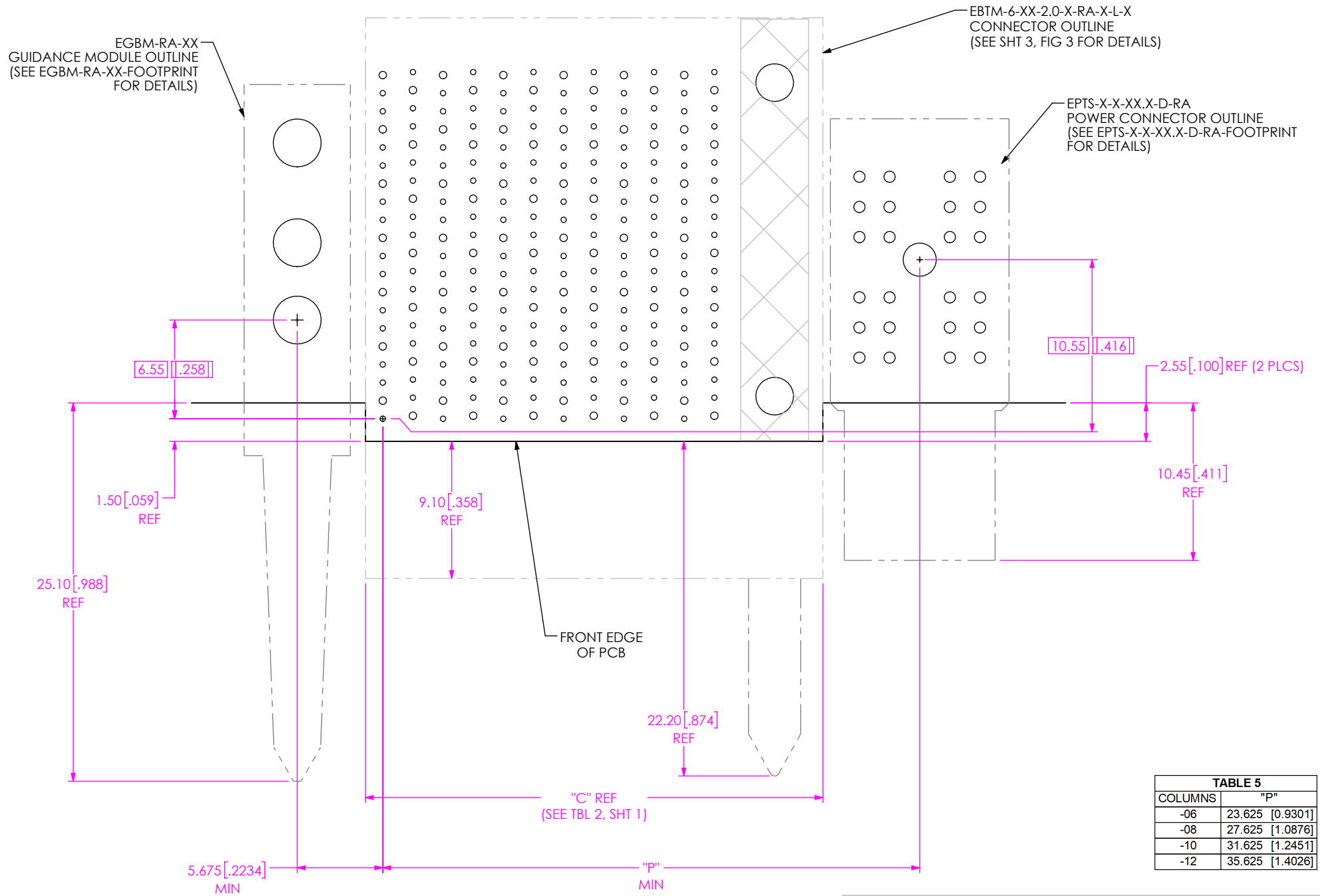


FIG 5  
 SIGNAL, POWER, INTERNAL (-R) AND EXTERNAL GUIDANCE COMBO  
 EGBM-RA-XX-FOOTPRINT, EPTS-X-X-XX.X-D-RA-FOOTPRINT  
 AND EBTM-6-12-2.0-X-RA-X-R-X-FOOTPRINT SHOWN

PROPRIETARY NOTE  
 THIS DOCUMENT CONTAINS CONFIDENTIAL AND PROPRIETARY INFORMATION AND ALL DESIGN, MANUFACTURING, REPRODUCTION, USE, PATENT RIGHTS AND SALES RIGHTS ARE EXPRESSLY RESERVED BY SAMTEC, INC. THIS DOCUMENT SHALL NOT BE DISCLOSED, IN WHOLE OR PART, TO ANY UNAUTHORIZED PERSON OR ENTITY NOR REPRODUCED, TRANSFERRED OR INCORPORATED IN ANY OTHER PROJECT IN ANY MANNER WITHOUT THE EXPRESS WRITTEN CONSENT OF SAMTEC, INC.



520 PARK EAST BLVD, NEW ALBANY, IN 47150  
 PHONE: 812-944-6733 FAX: 812-948-5047  
 e-Mail info@SAMTEC.com code 55322



**TABLE 5**

COLUMNS	"P"
-06	23.625 [0.9301]
-08	27.625 [1.0876]
-10	31.625 [1.2451]
-12	35.625 [1.4026]

**FIG 6**  
 SIGNAL, POWER, INTERNAL (-) AND EXTERNAL GUIDANCE COMBO  
 EGBM-RA-XX-FOOTPRINT, EPTM-6-XX-2.0-X-RA-X-L-X-FOOTPRINT  
 AND EBTM-6-12-2.0-X-RA-X-L-X-FOOTPRINT SHOWN

**PROPRIETARY NOTE**  
 THIS DOCUMENT CONTAINS CONFIDENTIAL AND PROPRIETARY INFORMATION AND ALL DESIGN, MANUFACTURING, REPRODUCTION, USE, PATENT RIGHTS AND SALES RIGHTS ARE EXPRESSLY RESERVED BY SAMTEC, INC. THIS DOCUMENT SHALL NOT BE DISCLOSED, IN WHOLE OR PART, TO ANY UNAUTHORIZED PERSON OR ENTITY NOR REPRODUCED, TRANSFERRED OR INCORPORATED IN ANY OTHER PROJECT IN ANY MANNER WITHOUT THE EXPRESS WRITTEN CONSENT OF SAMTEC, INC.



520 PARK EAST BLVD, NEW ALBANY, IN 47150  
 PHONE: 812-944-6733 FAX: 812-948-5047  
 e-Mail info@SAMTEC.com code 55322