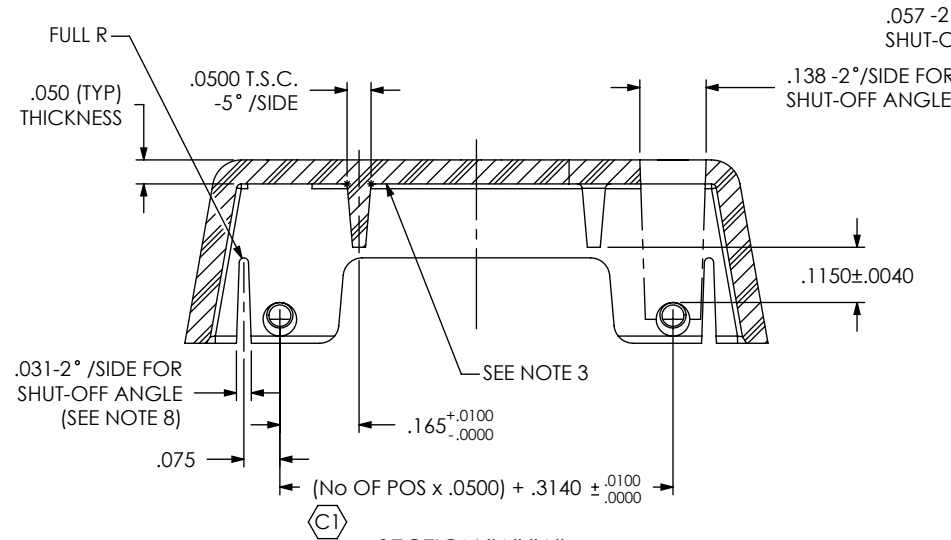
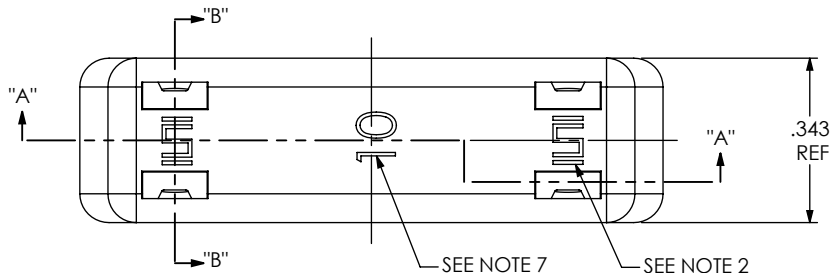
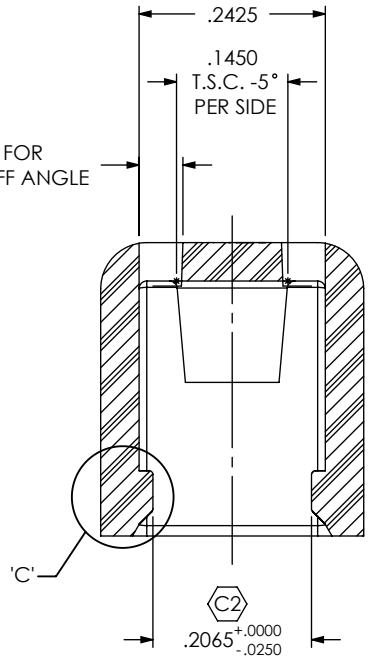


DO NOT SCALE FROM THIS PRINT

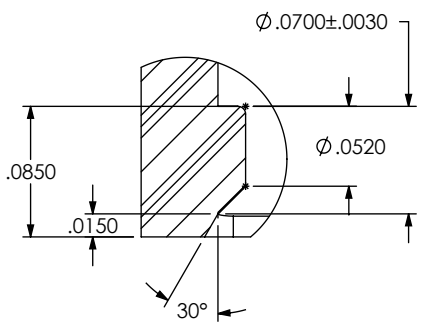


SECTION "A"-"A"

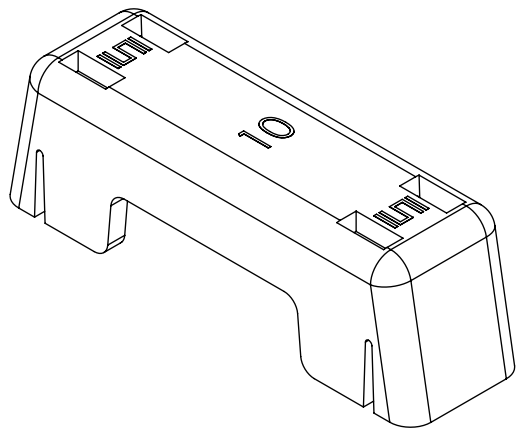
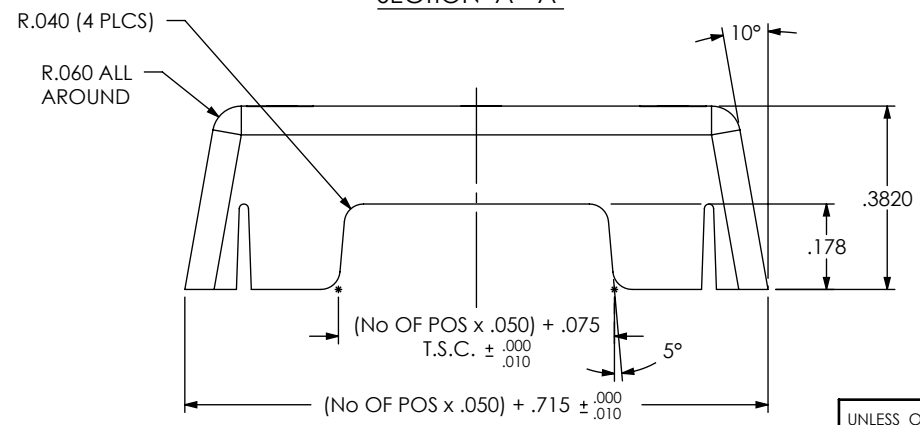


SECTION "B"-"B"  
SCALE 4 : 1

ECF-XX  
No OF POSITIONS  
-05 THRU -25



DETAIL 'C'  
SCALE 8 : 1



NOTES:

1. C1 REPRESENTS A CRITICAL DIMENSION.
2. SAMTEC LOGO SHALL APPEAR AT TWO EQUALLY SPACED LOCATIONS ON SURFACE SHOWN, APPROXIMATELY .094 x .062.
3. ALL MULTIPLE CAVITY MOLDS SHALL IDENTIFY EACH CAVITY WITH A NUMBER DESIGNATION LOCATED WHERE SHOWN.
4. ALL IDENTIFICATION MARKS MUST NOT STAND GREATER THAN .002 OFF THE SURFACE OF THE PART.
5. MOLDED SURFACES SHALL BE CONSISTENT AND SMOOTH. SURFACES TO BE FREE OF SCATCHES, NICKS, SINK AREAS, VOIDS OR OTHER BLEMISHES.
6. MAX ALLOWABLE BOW; TOP/BOTTOM: .002 INCH/INCH, SIDE/SIDE: .0035 INCH/INCH.
7. ALL PARTS MUST BE IDENTIFIED BY POSITION NUMBER DESIGNATION WHERE SHOWN.

UNLESS OTHERWISE SPECIFIED, DIMENSIONS ARE IN INCHES.  
TOLERANCES ARE:  
DECIMALS ANGLES  
.XX: ±.01 2°  
.XXX: ±.005  
.XXXX: ±.0020

PROPRIETARY NOTE  
THIS DOCUMENT CONTAINS INFORMATION CONFIDENTIAL AND PROPRIETARY TO SAMTEC, INC. AND SHALL NOT BE REPRODUCED OR TRANSFERRED TO OTHER DOCUMENTS OR DISCLOSED TO OTHERS OR USED FOR ANY PURPOSE OTHER THAN THAT WHICH IT WAS OBTAINED WITHOUT THE EXPRESSED WRITTEN CONSENT OF SAMTEC, INC.



520 PARK EAST BLVD, NEW ALBANY, IN 47150  
PHONE: 812-944-6733 FAX: 812-948-5047  
e-Mail: info@SAMTEC.com code 55322

MATERIAL: DO NOT SCALE DRAWING SHEET SCALE: 2.5:1  
ULTRAMID A3X2G5

DESCRIPTION: .050 EJECTOR HEADER CAP

MAX FLASH ALLOWED: .006  
MAX GATE VESTIGE: .002

DWG. NO. ECF-XX