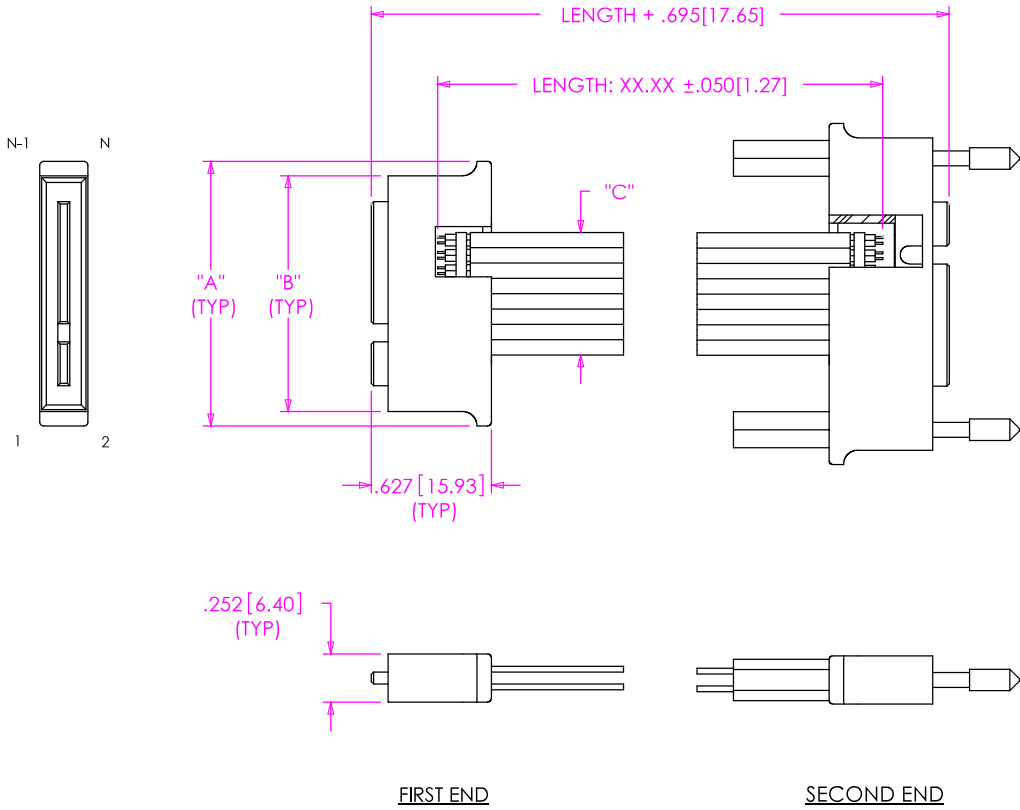
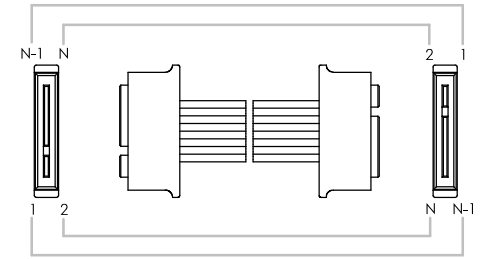


# EEDP-XXX-XXXX-DV1-DS1-X

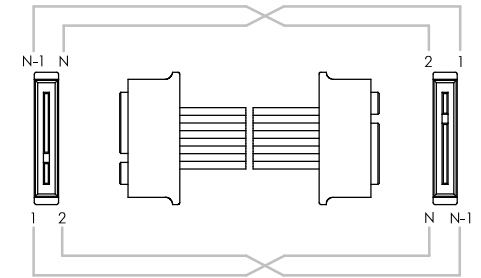
ALL DIMENSIONS REF  
DO NOT SCALE  
FROM THIS PRINT



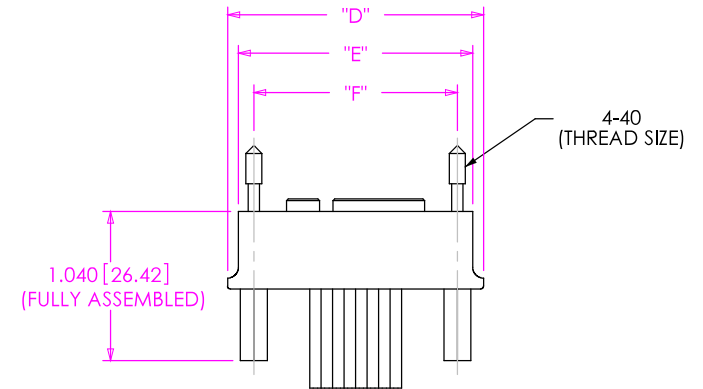
## WIRING OPTION 3 POSITION 1 TO POSITION N-1



## WIRING OPTION 4 POSITION 1 TO POSITION N



## FOR -DS1 & -DS2 OPTIONS ONLY



No. OF PAIRS	"A"	"B"	"C"	"D"	"E"	"F"
-008	0.965 [24.51]	0.815 [20.70]	0.320 [8.13]	1.365 [34.67]	1.215 [30.86]	1.024 [26.00]
-016	1.382 [35.10]	1.232 [31.29]	0.640 [16.26]	1.782 [45.26]	1.632 [41.45]	1.417 [36.00]
-024	N/A	N/A	N/A	N/A	N/A	N/A
-032	2.099 [53.31]	1.949 [49.50]	1.280 [32.51]	2.499 [63.47]	2.349 [59.66]	2.126 [54.00]

**PROPRIETARY NOTE**  
THIS DOCUMENT CONTAINS INFORMATION CONFIDENTIAL AND PROPRIETARY TO SAMTEC, INC. AND SHALL NOT BE REPRODUCED OR TRANSFERRED TO OTHER DOCUMENTS OR DISCLOSED TO OTHERS OR USED FOR ANY PURPOSE OTHER THAN THAT WHICH IT WAS OBTAINED WITHOUT THE EXPRESSED WRITTEN CONSENT OF SAMTEC, INC.

# SAMTEC

520 PARK EAST BLVD, NEW ALBANY, IN 47150  
\* PHONE: 812.944.6733 FAX: 812.948.5047  
e-Mail: [INFO@SAMTEC.COM](mailto:INFO@SAMTEC.COM) CODE: 55322

SHEET SCALE: 1:1



DESCRIPTION:  
TWIN AX EDGE CARD CABLE ASSEMBLY

DWG. NO.  
EEDP-XXX-XXXX-DV1-DS1-X

BY: C.ATCHLEY 8/15/2007 SHEET 1 OF 1