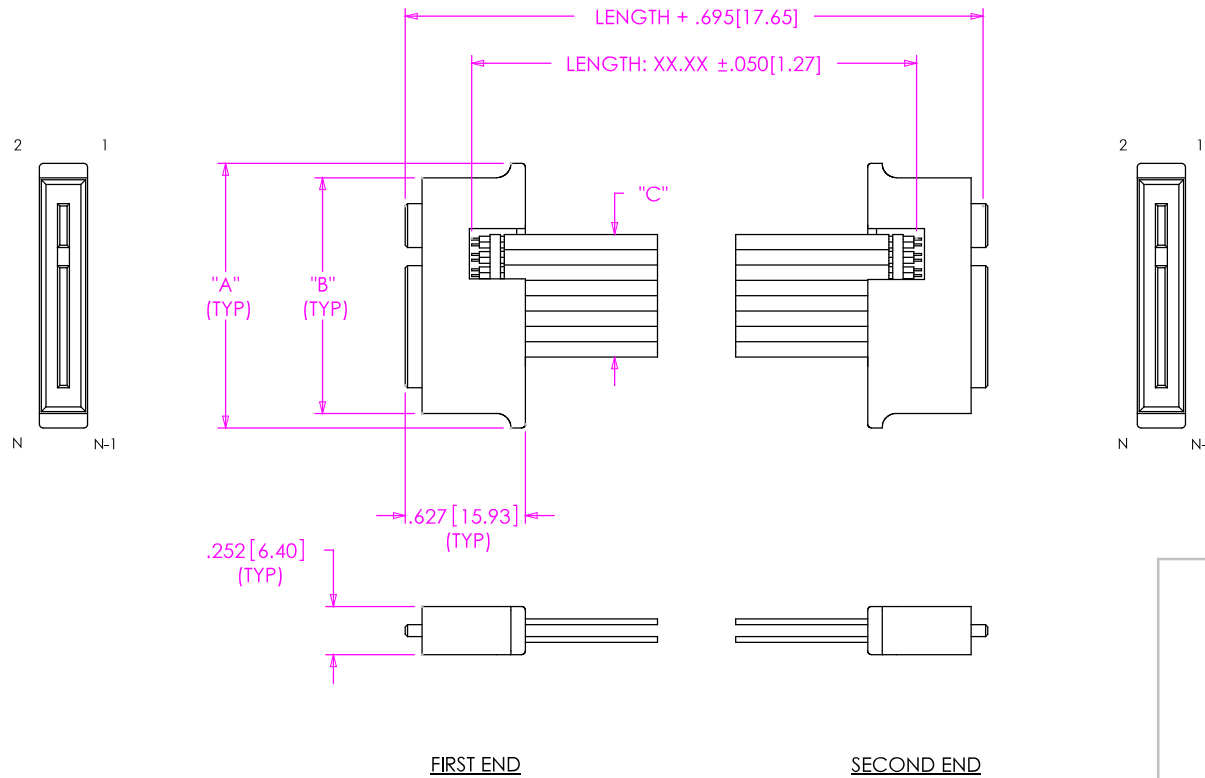
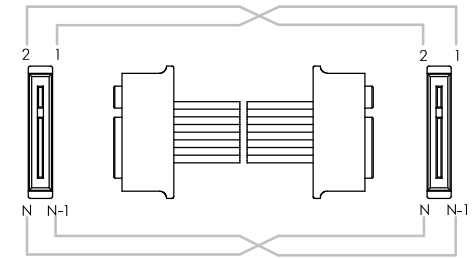


# EEDP-XXX-XXXX-DV2-DV1-X

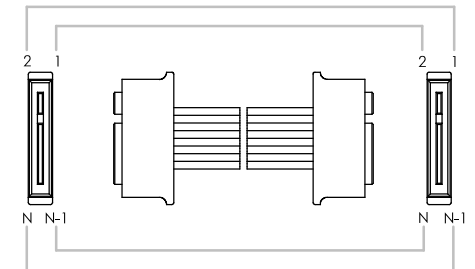
ALL DIMENSIONS REF  
DO NOT SCALE  
FROM THIS PRINT



WIRING OPTION 1  
POSITION 1 TO POSITION 1



WIRING OPTION 2  
POSITION 1 TO POSITION 2



FOR -DS1 & -DS2 OPTIONS ONLY

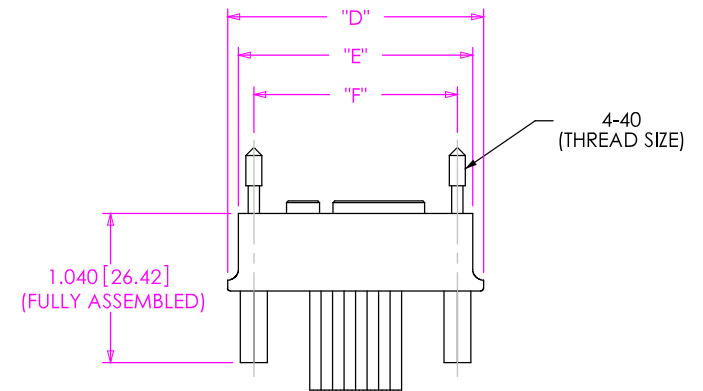


TABLE 1

No. OF PAIRS	"A"	"B"	"C"	"D"	"E"	"F"
-008	0.965 [24.51]	0.815 [20.70]	0.320 [8.13]	1.365 [34.67]	1.215 [30.86]	1.024 [26.00]
-016	1.382 [35.10]	1.232 [31.29]	0.640 [16.26]	1.782 [45.26]	1.632 [41.45]	1.417 [36.00]
-024	1.760 [44.70]	1.610 [40.89]	1.040 [26.42]	2.160 [54.86]	2.010 [51.05]	1.772 [45.00]
-032	2.099 [53.31]	1.949 [49.50]	1.280 [32.51]	2.499 [63.47]	2.349 [59.66]	2.126 [54.00]

**PROPRIETARY NOTE**  
THIS DOCUMENT CONTAINS INFORMATION CONFIDENTIAL AND PROPRIETARY TO SAMTEC, INC. AND SHALL NOT BE REPRODUCED OR TRANSFERRED TO OTHER DOCUMENTS OR DISCLOSED TO OTHERS OR USED FOR ANY PURPOSE OTHER THAN THAT WHICH IT WAS OBTAINED WITHOUT THE EXPRESSED WRITTEN CONSENT OF SAMTEC, INC.

SHEET SCALE: 1:1



## SAMTEC

520 PARK EAST BLVD, NEW ALBANY, IN 47150  
\* PHONE: 812.944.6733 \* FAX: 812.948.5047  
e-Mail: [INFO@SAMTEC.COM](mailto:INFO@SAMTEC.COM) CODE: 55322

DESCRIPTION:  
TWIN AX EDGE CARD CABLE ASSEMBLY

DWG. NO.  
EEDP-XXX-XXXX-DV2-DV1-X

BY: BRATCHER 6/16/2004 SHEET 1 OF 1