

DESIGNED AND DIMENSIONED IN INCHES[MILLIMETERS]
ALL DIMENSIONS REFERENCE EXCEPT AS SHOWN

GPPC-PX-1-2-EP-ST-CMM-X

DO NOT
SCALE FROM
THIS PRINT

TYPE
-P: PC

SERIES
-C: CABLE BLOCK MATE

GENDER
-PF: PLUG FULL DETENT
-PS: PLUG SMOOTH BORE

No OF ROWS
-1

No OF POSITIONS (PER ROW)
-2

PACKAGING
-BLANK: INDIVIDUALLY BAGGED
-B: FULL TRAY (QTY >= 100)

TERMINATION
-CMM: COMPRESSION MOUNT

ORIENTATION
-ST: STRAIGHT

FINISH
-EP: 50µ" HEAVY GOLD
CENTER CONTACT,
PASSIVATED OUTER BODY

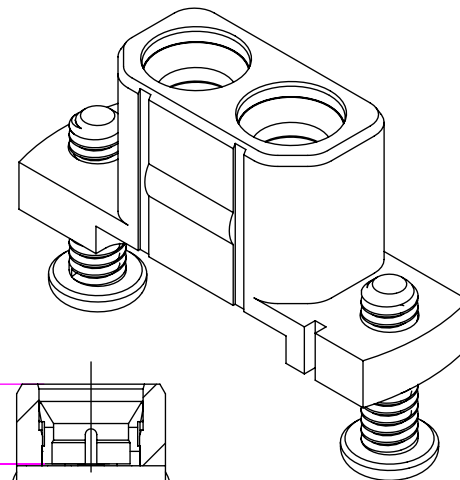
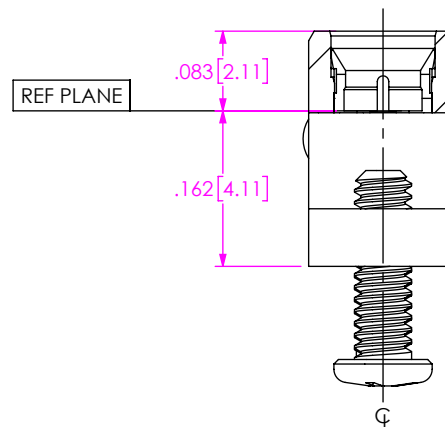
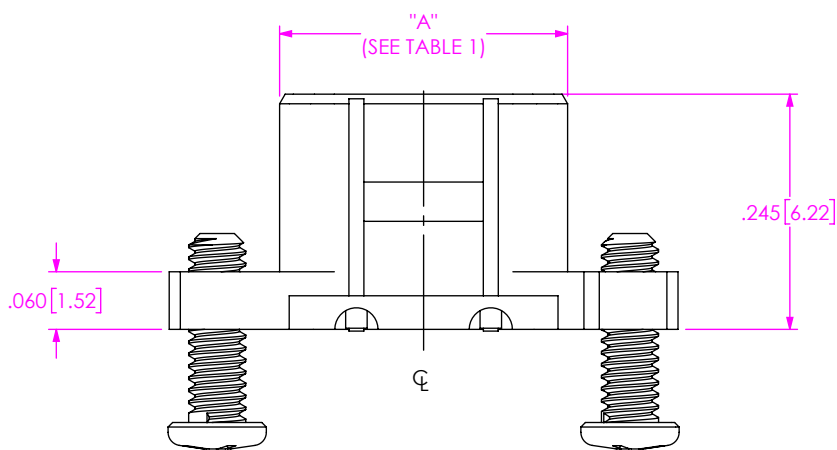
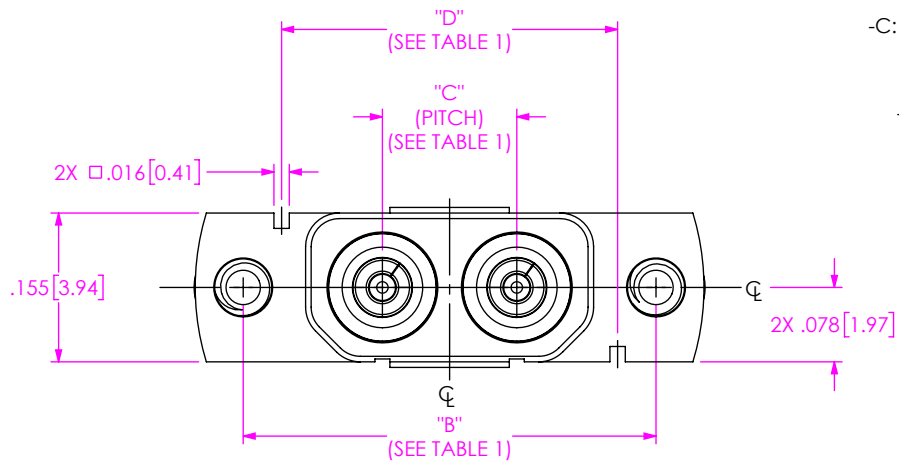


FIG 1
(GPPC-PF-1-2-EP-ST-CMM-X SHOWN)

- NOTES:
- MATERIAL:
BEAD: ULTEM 1000.
BODY: STAINLESS STEEL.
BUSHING, CONTACT: BERYLLIUM COPPER.
 - FINISH:
BODY: PASSIVATE
BUSHING, CONTACT: GOLD OVER NICKEL PLATE,
50-100 µIN MIN GOLD OVER 50-100 µIN MIN NICKEL.
 - RECOMMENDED MOUNTING TORQUE 0.9-1.3 INCH-POUNDS.

No OF POSITIONS	"A"	"B"	"C"	"D"
-02	0.300 [7.62]	0.430 [10.92]	0.140 [3.56]	0.350 [8.89]

PROPRIETARY NOTE
THIS DOCUMENT CONTAINS CONFIDENTIAL AND PROPRIETARY INFORMATION AND ALL DESIGN, MANUFACTURING, REPRODUCTION, USE, PATENT RIGHTS AND SALES RIGHTS ARE EXPRESSLY RESERVED BY SAMTEC, INC. THIS DOCUMENT SHALL NOT BE DISCLOSED, IN WHOLE OR PART, TO ANY UNAUTHORIZED PERSON OR ENTITY NOR REPRODUCED, TRANSFERRED OR INCORPORATED IN ANY OTHER PROJECT IN ANY MANNER WITHOUT THE EXPRESS WRITTEN CONSENT OF SAMTEC, INC.

DO NOT SCALE DRAWING
SHEET SCALE: 5:1

MATERIAL:
BODY: STAINLESS STEEL
BUSHING, CONTACT: BERYLLIUM COPPER
BEAD: ULTEM 1000

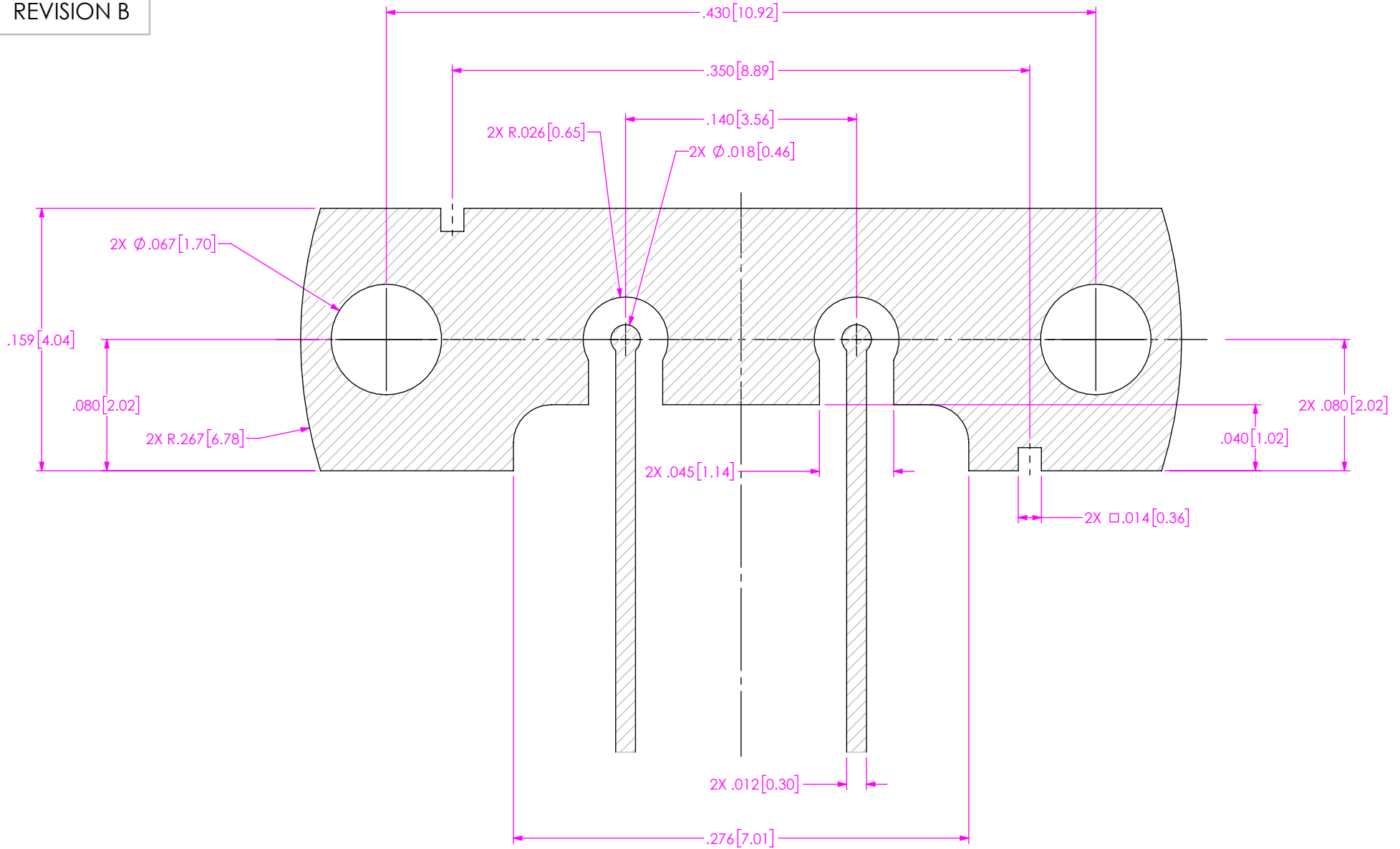
samtec

520 PARK EAST BLVD, NEW ALBANY, IN 47150
PHONE: 812-944-6733 FAX: 812-948-5047
e-Mail info@SAMTEC.com code 55322

DESCRIPTION:
RECEPTACLE, SMPM, COMPRESSION MOUNT

DWG. NO.
GPPC-PX-1-2-EP-ST-CMM-X

BY: MATT M. 01/24/2022 SHEET 1 OF 3



RECOMMENDED FOOTPRINT
(MICROSTRIP SHOWN)

PROPRIETARY NOTE
THIS DOCUMENT CONTAINS CONFIDENTIAL AND PROPRIETARY INFORMATION AND ALL DESIGN, MANUFACTURING, REPRODUCTION, USE, PATENT RIGHTS AND SALES RIGHTS ARE EXPRESSLY RESERVED BY SAMTEC, INC. THIS DOCUMENT SHALL NOT BE DISCLOSED, IN WHOLE OR PART, TO ANY UNAUTHORIZED PERSON OR ENTITY NOR REPRODUCED, TRANSFERRED OR INCORPORATED IN ANY OTHER PROJECT IN ANY MANNER WITHOUT THE EXPRESS WRITTEN CONSENT OF SAMTEC, INC.



520 PARK EAST BLVD., NEW ALBANY, IN 47150
PHONE: 812-944-6733 FAX: 812-948-5047
e-Mail info@SAMTEC.com code 55322

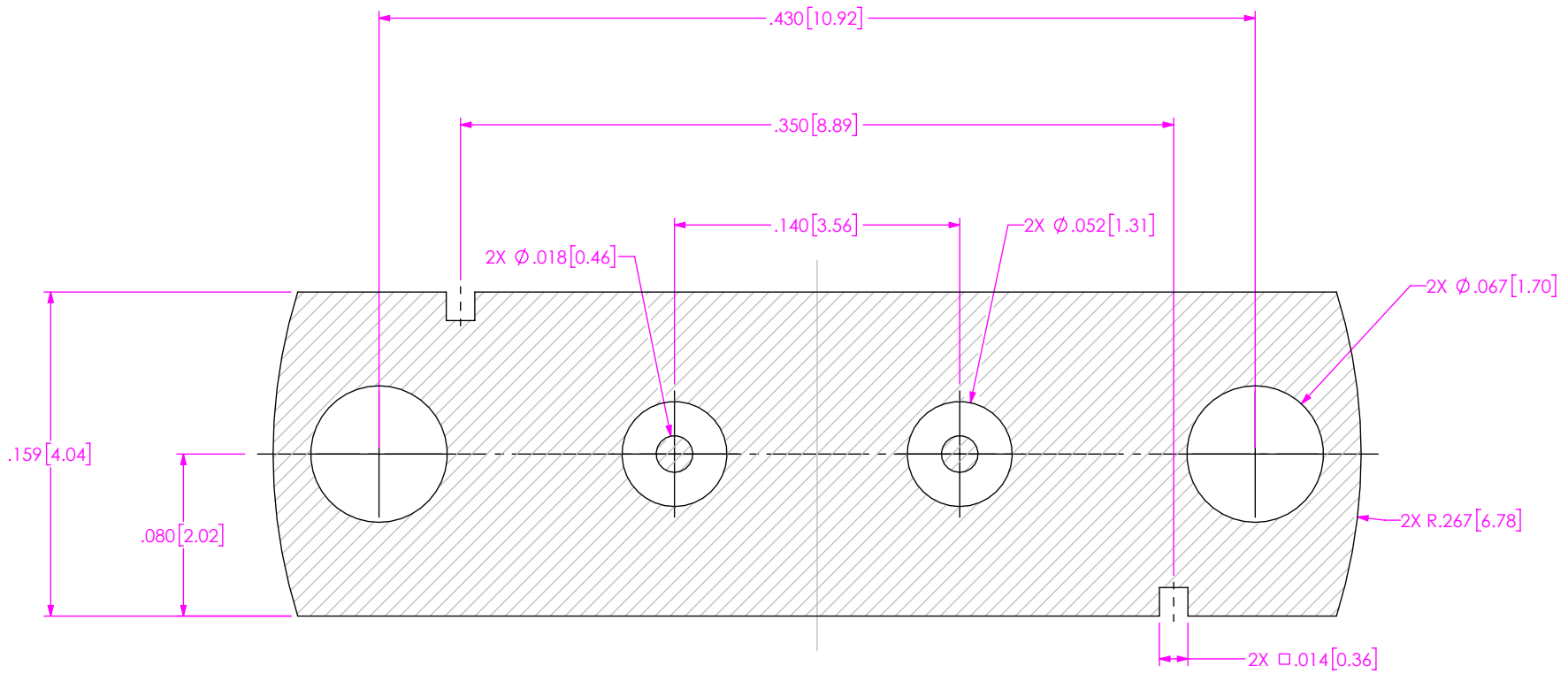
DO NOT SCALE DRAWING

DESCRIPTION:
RECEPTACLE, SMPM, COMPRESSION MOUNT

DWG. NO.
GPPC-PX-1-2-EP-ST-CMM-X

SHEET SCALE: 12:1

BY: MATT M. 01/24/2022 SHEET 2 OF 3



RECOMMENDED FOOTPRINT
(STRIPLINE SHOWN)

<p>DO NOT SCALE DRAWING</p> <p>SHEET SCALE: 12:1</p>	<p>PROPRIETARY NOTE</p> <p>THIS DOCUMENT CONTAINS CONFIDENTIAL AND PROPRIETARY INFORMATION AND ALL DESIGN, MANUFACTURING, REPRODUCTION, USE, PATENT RIGHTS AND SALES RIGHTS ARE EXPRESSLY RESERVED BY SAMTEC, INC. THIS DOCUMENT SHALL NOT BE DISCLOSED, IN WHOLE OR PART, TO ANY UNAUTHORIZED PERSON OR ENTITY NOR REPRODUCED, TRANSFERRED OR INCORPORATED IN ANY OTHER PROJECT IN ANY MANNER WITHOUT THE EXPRESS WRITTEN CONSENT OF SAMTEC, INC.</p>	<p>samtec</p> <p>520 PARK EAST BLVD., NEW ALBANY, IN 47150 PHONE: 812-944-6733 FAX: 812-948-5047 e-Mail info@SAMTEC.com code 55322</p>
	<p>DESCRIPTION: RECEPTACLE, SMPM, COMPRESSION MOUNT</p>	
	<p>DWG. NO. GPPC-PX-1-2-EP-ST-CMM-X</p>	
<p>BY: MATT M. 01/24/2022 SHEET 3 OF 3</p>		