

DO NOT SCALE FROM THIS PRINT

GPPC-XX-X-XX-XX-ST-EM-XX

SERIES
-C: CABLE

GENDER
-PF: PLUG FULL DETENT
-PS: PLUG SMOOTH BORE

No OF ROWS
-1

No OF POSITIONS (PER ROW)
-02, -04, -06, -08, -10

FINISH
-EG: 50µ" HEAVY GOLD
CENTER CONTACT, 10µ"
EXTRA GOLD OUTER BODY

VERTICAL PITCH
-N: NOT APPLICABLE

HORIZONTAL PITCH
-1: .140" PITCH

TERMINATION
-EM: EDGE MOUNT

ORIENTATION
-ST: STRAIGHT

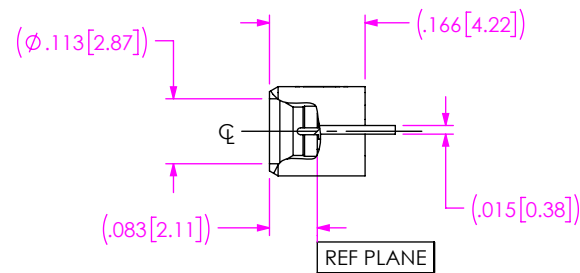
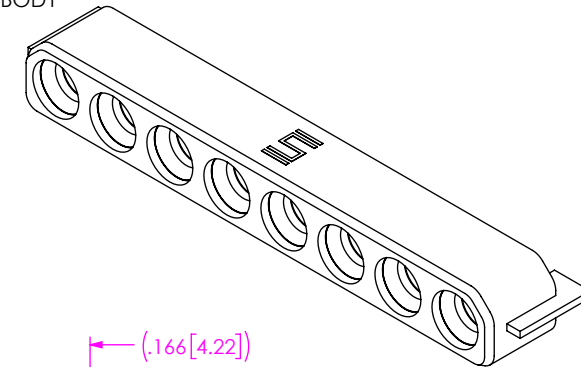
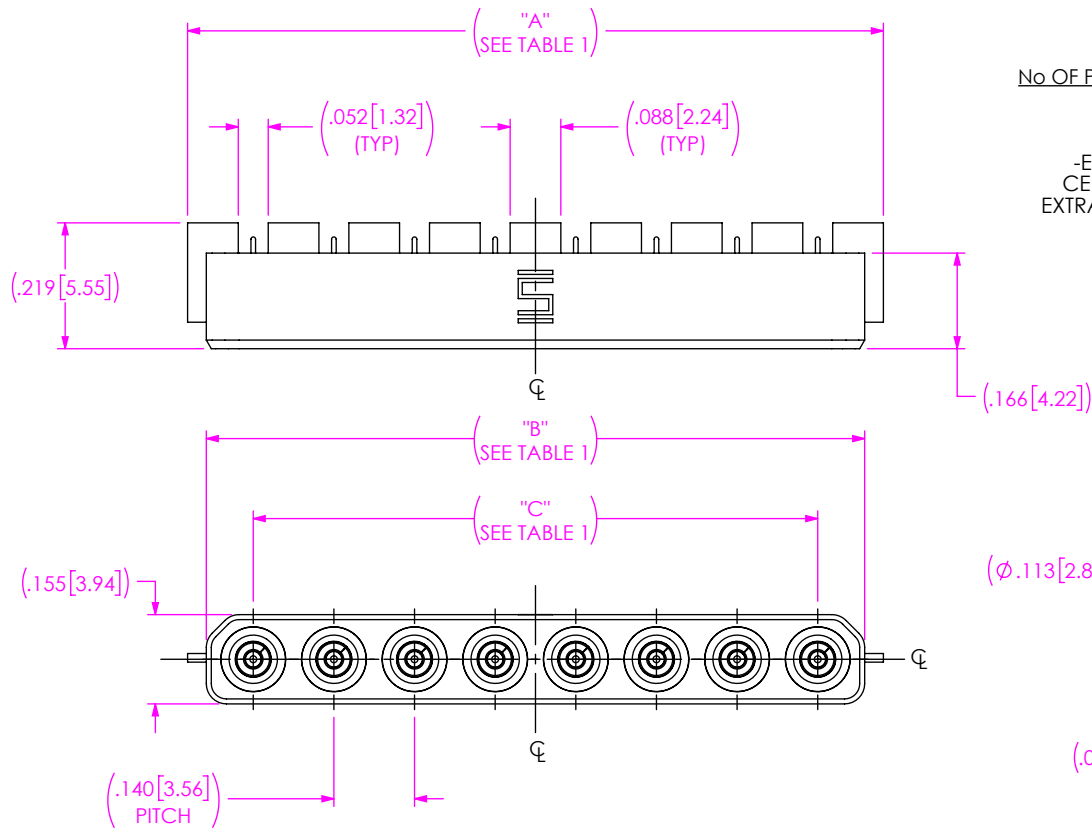


TABLE 1			
No OF POSITIONS	"A"	"B"	"C"
-02	0.368 [9.35]	0.303 [7.70]	0.140 [3.56]
-04	0.648 [16.46]	0.583 [14.81]	0.420 [10.67]
-06	0.928 [23.57]	0.863 [21.68]	0.700 [17.78]
-08	1.208 [30.68]	1.143 [29.03]	0.980 [24.89]
-10	1.488 [37.80]	1.423 [36.14]	1.260 [32.00]

NOTES:

- MATERIAL:
BEAD: VICTREX POLYMER.
BODY, CONTACT: BRASS ALLOY
BUSHING: BERYLLIUM COPPER.
- FINISH:
BODY: GOLD OVER NICKEL PLATE,
10-20 µIN MIN GOLD OVER 50-100 µIN MIN NICKEL.
BUSHING, CONTACT: GOLD OVER NICKEL PLATE,
50-100 µIN MIN GOLD OVER 50-100 µIN MIN NICKEL.

UNLESS OTHERWISE SPECIFIED,
DIMENSIONS ARE IN INCHES.
TOLERANCES ARE:
DECIMALS ANGLES
.XX: ±.01 1°
.XXX: ±.002
.XXXX: ±.0005

PROPRIETARY NOTE
THIS DOCUMENT CONTAINS CONFIDENTIAL AND
PROPRIETARY INFORMATION AND ALL DESIGN,
MANUFACTURING, REPRODUCTION, USE, PATENT RIGHTS
AND SALES RIGHTS ARE EXPRESSLY RESERVED BY SAMTEC,
INC. THIS DOCUMENT SHALL NOT BE DISCLOSED, IN WHOLE
OR PART, TO ANY UNAUTHORIZED PERSON OR ENTITY NOR
REPRODUCED, TRANSFERRED OR INCORPORATED IN ANY
OTHER PROJECT IN ANY MANNER WITHOUT THE EXPRESS
WRITTEN CONSENT OF SAMTEC, INC.



520 PARK EAST BLVD, NEW ALBANY, IN 47150
PHONE: 812-944-6733 FAX: 812-948-5047
e-Mail: info@SAMTEC.com code 55322

DO NOT SCALE DRAWING

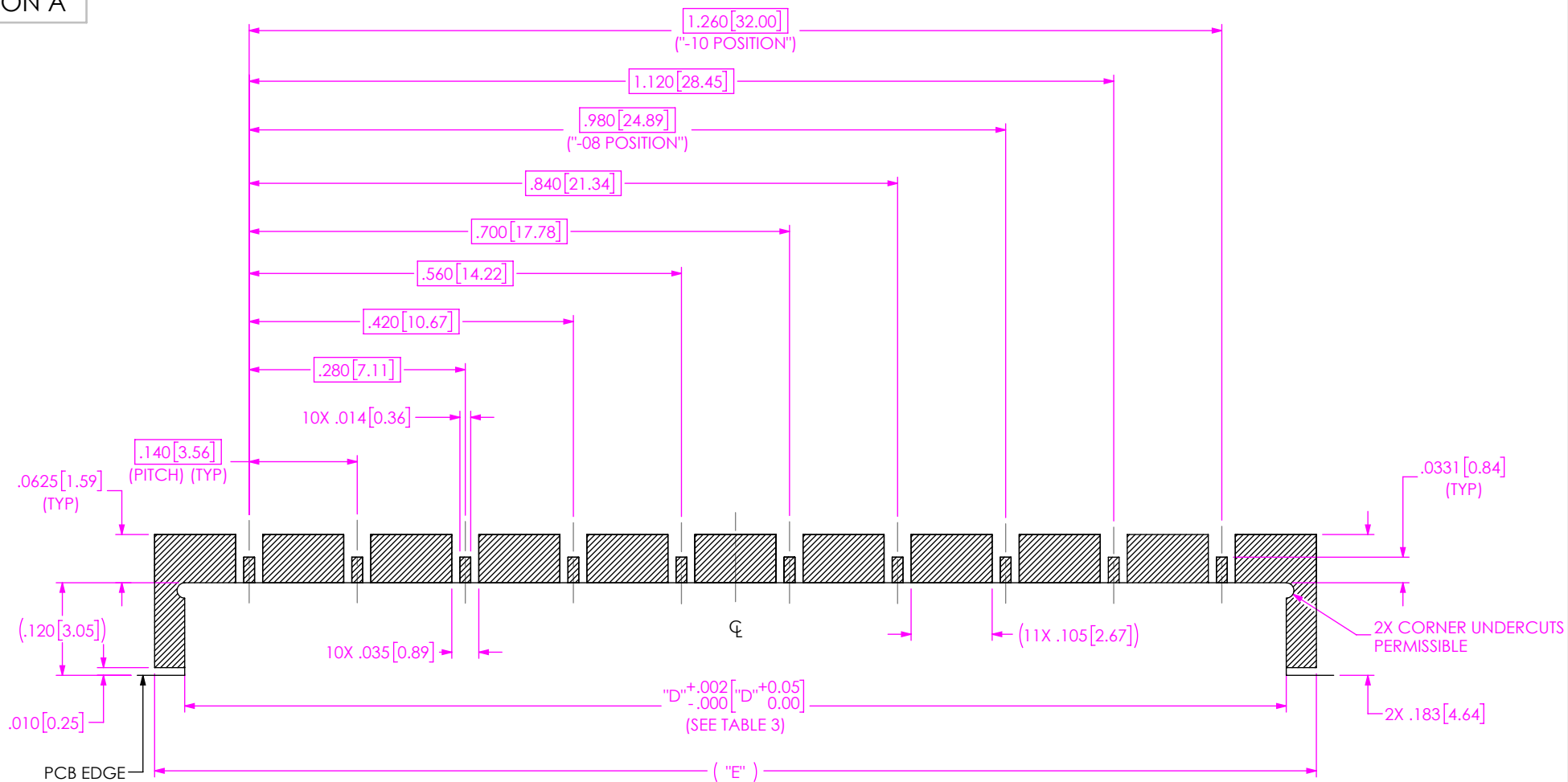
SHEET SCALE: 3:1

DESCRIPTION:
RECEPTACLE, SMPM (M), EDGE MOUNT

DWG. NO.
GPPC-XX-X-XX-XX-ST-EM-XX

BY: ADAM H. 6/7/2021

SHEET 1 OF 2



RECOMMENDED FOOTPRINT
(GPPC-XX-1-10-XX-ST-EM-1N SHOWN)

TABLE 2		
No OF POSITIONS	"D"	"E"
-02	0.307 [7.80]	0.385 [9.78]
-04	0.587 [14.91]	0.665 [16.89]
-06	0.867 [22.02]	0.945 [24.00]
-08	1.147 [29.13]	1.225 [31.12]
-10	1.427 [36.25]	1.505 [38.23]

PROPRIETARY NOTE
THIS DOCUMENT CONTAINS CONFIDENTIAL AND PROPRIETARY INFORMATION AND ALL DESIGN, MANUFACTURING, REPRODUCTION, USE, PATENT RIGHTS AND SALES RIGHTS ARE EXPRESSLY RESERVED BY SAMTEC, INC. THIS DOCUMENT SHALL NOT BE DISCLOSED, IN WHOLE OR PART, TO ANY UNAUTHORIZED PERSON OR ENTITY NOR REPRODUCED, TRANSFERRED OR INCORPORATED IN ANY OTHER PROJECT IN ANY MANNER WITHOUT THE EXPRESS WRITTEN CONSENT OF SAMTEC, INC.



520 PARK EAST BLVD., NEW ALBANY, IN 47150
PHONE: 812-944-6733 FAX: 812-948-5047
e-Mail info@SAMTEC.com code 55322

DO NOT SCALE DRAWING

DESCRIPTION:
RECEPTACLE, SMPM (M), EDGE MOUNT

DWG. NO.
GPPC-XX-X-XX-XX-ST-EM-XX

SHEET SCALE: 5:1

BY: ADAM H. 6/7/2021 SHEET 2 OF 2