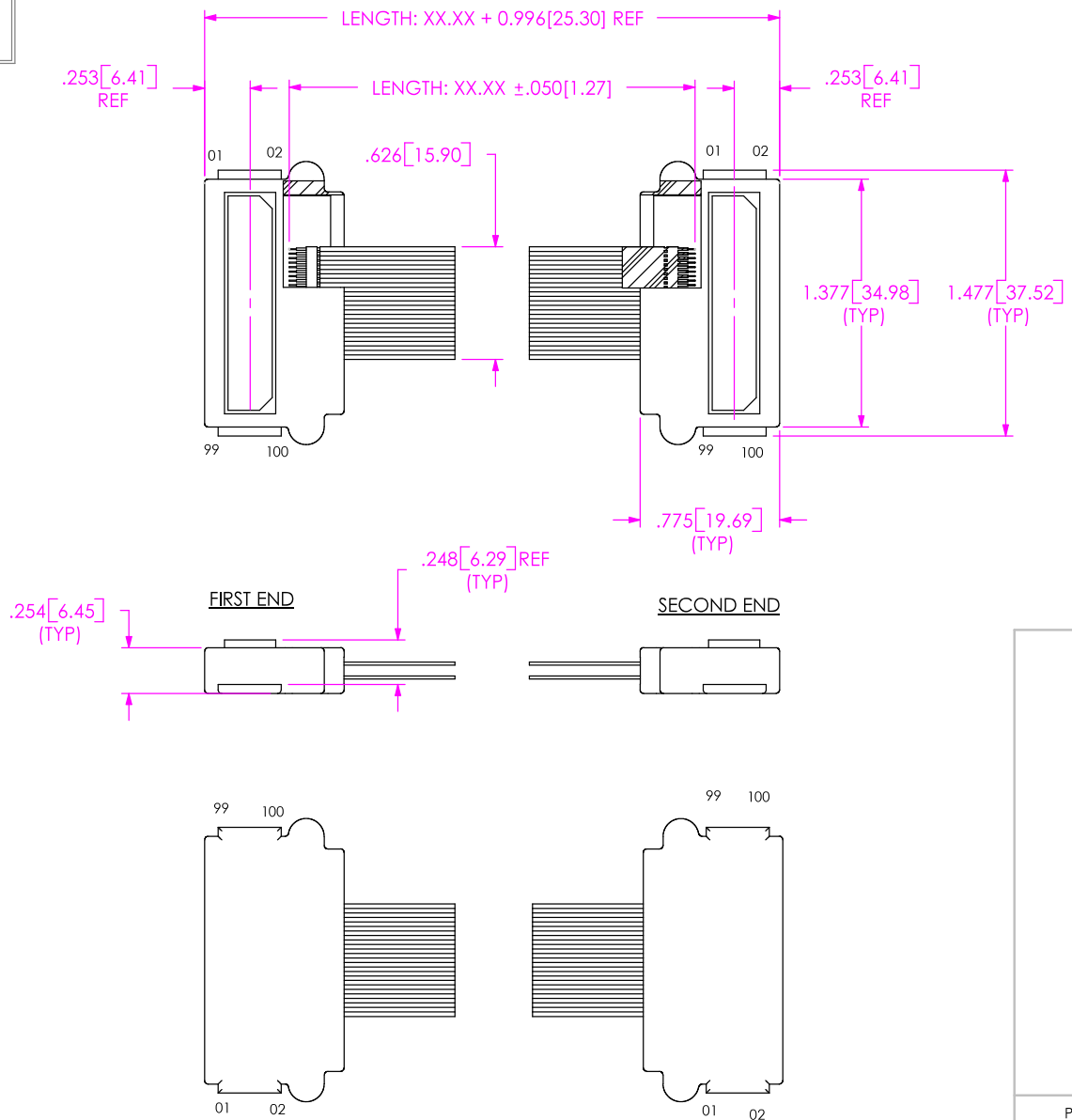


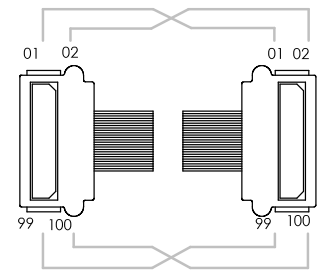
HBCD-050-XX.XX-STR-STR-X-X

9/27/2006 ECN-64633

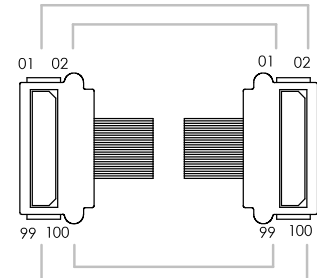
DO NOT
ALSO VIEW DIMENSIONS REF
THIS PRINT
DO NOT SCALE
FROM THIS PRINT



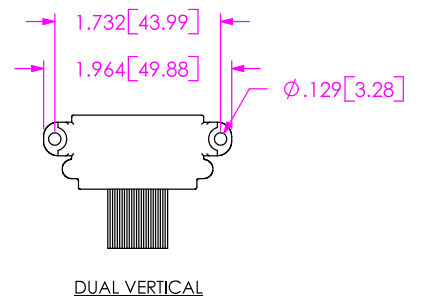
WIRING OPTION 1 POSITION 1 TO POSITION 1



WIRING OPTION 2 POSITION 1 TO POSITION 2



ONLY APPLICABLE FOR SCREW-DOWN END OPTIONS



PROPRIETARY NOTE
THIS DOCUMENT CONTAINS INFORMATION CONFIDENTIAL AND PROPRIETARY TO SAMTEC, INC. AND SHALL NOT BE REPRODUCED OR TRANSFERRED TO OTHER DOCUMENTS OR DISCLOSED TO OTHERS OR USED FOR ANY PURPOSE OTHER THAN THAT WHICH IT WAS OBTAINED WITHOUT THE EXPRESSED WRITTEN CONSENT OF SAMTEC, INC.

SAMTEC
520 PARK EAST BLVD, NEW ALBANY, IN 47150
* PHONE: 812.944.6733 FAX: 812.948.5047
e-Mail: INFO@SAMTEC.COM CODE: 55322

SHEET SCALE: 1:1



DESCRIPTION:
BTH / BSH CABLE ASSEMBLY

DWG. NO.
HBCD-050-XX.XX-STR-STR-X-X

BY: T WHELAN 09/27/2006 SHEET 1 OF 1