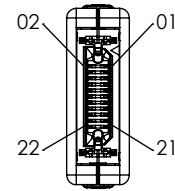
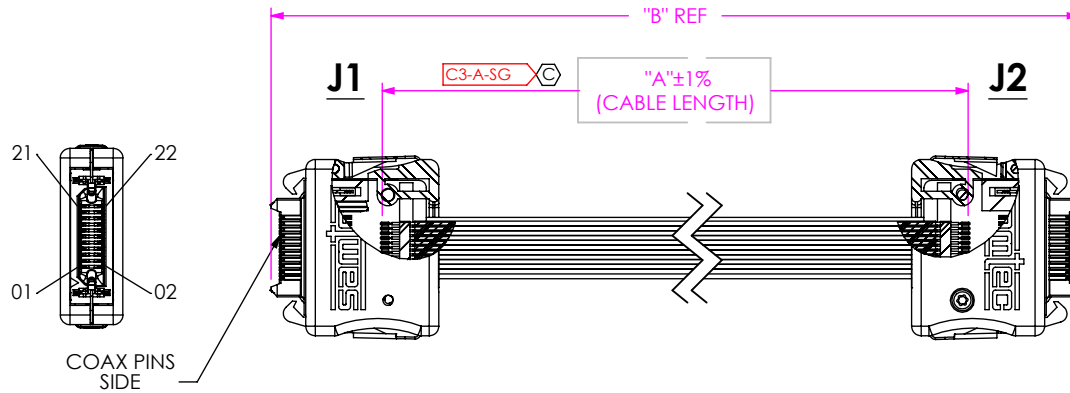


HDR SETUP OPTION:	NA
PCB SETUP OPTION:	OPTION 4

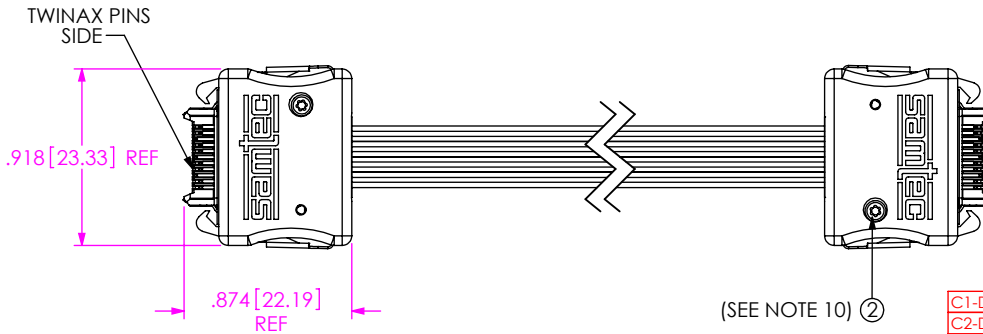
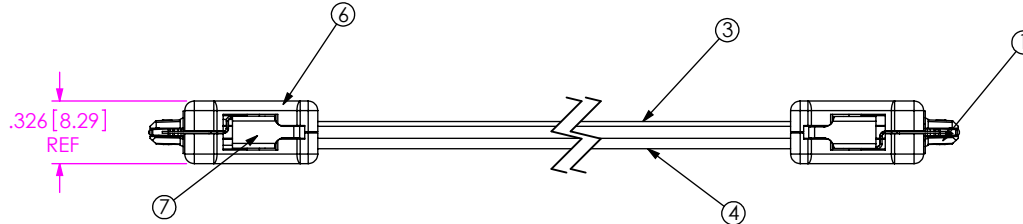
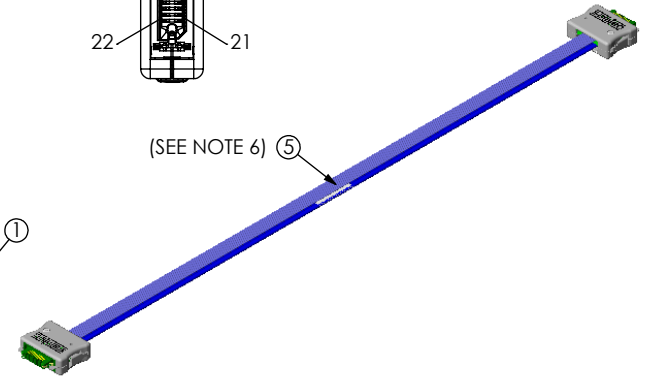
Pb THIS PRODUCT MANUFACTURED WITH LEAD-FREE PROCESSING

REVISION

A	BR	J RILEY
3/24/2009 ECN-107465		
RELEASE FOR PRODUCTION		
B	FA	A SHROUT
4/18/2011 ECN-152666		
DWG NAME: CHG NAME FROM -01 TO XX; ADD TABLE 2, ADD -01, -02 & -03 CONFIGURATIONS; CHG 12.000 TO "A", CHG 13.16 TO "B"; BOM, ITEMS 3 & 4; CHG -12.00 TO -XXX.		
C	RV	T SPINE
12/19/2011 ECN-168138		
SHT 2, J1 VIEW, BOM: ADD ITEMS 3 & 4, ADD PACKAGING VIEW.		



(SEE NOTE 6) ⑤



PART #	"A"	"B"
HDR-142117-01	12.00 [304.8]	13.16 [334.3]
HDR-142117-02	18.00 [457.2]	19.16 [486.7]
HDR-142117-03	24.00 [609.6]	25.16 [639.1]

- NOTES:
1. CABLE ASSEMBLY CONFIGURATION IS NON-STANDARD.
 2. ① REPRESENTS A CRITICAL DIMENSION.
 3. PARTS TO BE PROCESSED PER SAMTEC BOUNDARY DOCUMENT GUIDELINES.
 4. ALL ASSEMBLIES TO BE 100% ELECTRICALLY TESTED.
 5. ALL ASSEMBLIES TO BE 100% HI-POT TESTED AT 300V.
 6. ITEM 5 TO BE CENTERED ON ITEM 4 AS SHOWN. ITEM 5 TO CONTAIN: LINE 1 - PART NUMBER "HDR-XX XXXX-XX"; LINE 2 - SHOP ORDER NUMBER "X XXXXX"; AND LINE 3 - DATE CODE "XXXXX". NUMERIC REVISION PRODUCT WILL HAVE ADDITIONAL LABEL INDICATING "RELEASE FOR LIMITED PRODUCTION".
 7. FOR PROCESSING INFORMATION ON SUB-ASSEMBLIES, REFERENCE SUB-HDR-142117-XX TRAVELER.XLS.
 8. PARTS TO BE PACKAGED IN STATIC DISSIPATION BAGS.
 9. PANEL PCB-101 395-HDR-XX YIELDS (5) PCB-101395-HDR-01.
 10. TIGHTEN STS-04 FASTENERS TO 1.4-1.7 IN-LBS (4 PLCS).

(SEE NOTE 10) ②



ITEM NO.	PART NUMBER	DESCRIPTION	QUANTITY	MATERIAL
1	SUB-HDR-142117-01	SUB ASSEMBLY	2	SUB ASSEMBLY
2	STS-04	FASTENER	4	LOW CARBON STEEL
3	SUB-TCF-3850-11-01-XX.XX	COAX CABLE	1	SUB ASSEMBLY
4	SUB-TTF-30100-04-01-XX.XX	TWIN-AX CABLE	1	SUB ASSEMBLY
5	HDRL-11	LABEL	1	SELF LAMINATING VINYL
6	ECD-11-03	HOUSING	4	IDEMITSU XAREC EA522 BK
7	LTC-16-01	SPRING LATCH	4	BERYL LIUM COPPER
8	DOW-0469-1250-01	DOWEL PIN	4	ACETAL

TOLERANCES DO NOT APPLY TO REFERENCE DIMENSIONS, UNLESS OTHERWISE SPECIFIED. DIMENSIONS ARE IN INCHES.
TOLERANCES ARE:
DECIMALS .XX: ±.01 [3]
.XXX: ±.005 [13]
.XXXX: ±.0020 [051]
ANGLES 2°

PROPRIETARY NOTE
THIS DOCUMENT CONTAINS INFORMATION CONFIDENTIAL AND PROPRIETARY TO SAMTEC, INC. AND SHALL NOT BE REPRODUCED OR TRANSFERRED TO OTHER DOCUMENTS OR DISCLOSED TO OTHERS OR USED FOR ANY PURPOSE OTHER THAN THAT WHICH IT WAS OBTAINED WITHOUT THE EXPRESSED WRITTEN CONSENT OF SAMTEC, INC.



520 PARK EAST BLVD, NEW ALBANY, IN 47150
PHONE: 812-944-6733 FAX: 812-948-5047
e-Mail: info@SAMTEC.com code: 55322

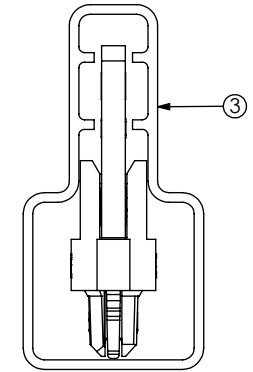
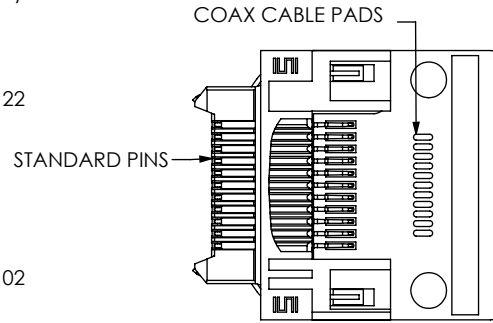
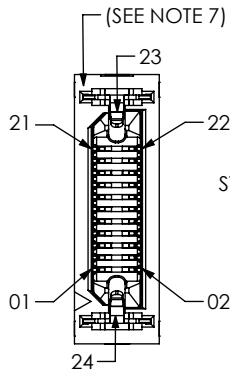
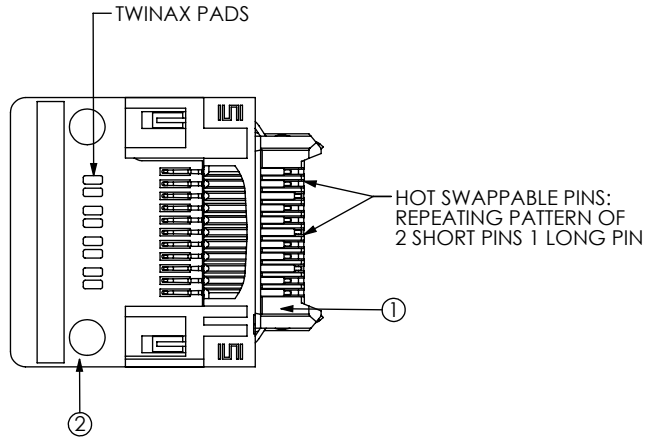
DO NOT SCALE DRAWING SHEET SCALE: 1:1

DESCRIPTION: CUSTOM HDR CABLE ASSEMBLY

DWG. NO. HDR-142117-XX

BY: Tyler P 8/15/2008 SHEET 1 OF 2

J1
SUB-HDR-T42117-01



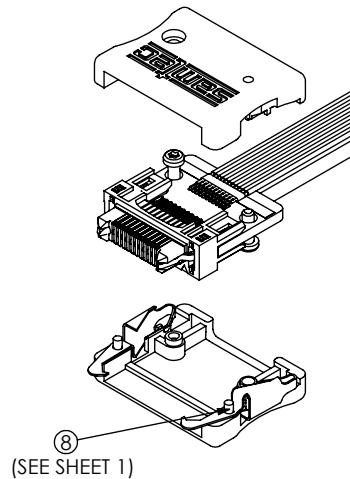
PACKAGING VIEW
C

**LATCHES ARE CONSIDERED
POSITION 23 AND 24
BOTH ARE GROUND

SUB-HDR-142117-01 BOM			
ITEM NO.	PART NUMBER	QUANTITY	MATERIAL
1	ASP-137971-01	1.0000	CONNECTOR
2	PCB- 101395-HDR-01	1.0000	PCB
3	PT-1-24-02-143	.04000	TUBE
4	TP-07	.08000	PLUG

C
C

J1 (ODD)	SIG/GND	J2 (ODD)	J1 (EVEN)	SIG/GND	J2 (EVEN)
1	SIGNAL (TWIN-AX)	21	2	SIGNAL (COAX)	22
3	SIGNAL (TWIN-AX)	19	4	SIGNAL (COAX)	20
5	GROUND	17	6	SIGNAL (COAX)	18
7	SIGNAL (TWIN-AX)	15	8	SIGNAL (COAX)	16
9	SIGNAL (TWIN-AX)	13	10	SIGNAL (COAX)	14
11	GROUND	11	12	SIGNAL (COAX)	12
13	SIGNAL (TWIN-AX)	9	14	SIGNAL (COAX)	10
15	SIGNAL (TWIN-AX)	7	16	SIGNAL (COAX)	8
17	GROUND	5	18	SIGNAL (COAX)	6
19	SIGNAL (TWIN-AX)	3	20	SIGNAL (COAX)	4
21	SIGNAL (TWIN-AX)	1	22	SIGNAL (COAX)	2
LATCH	GROUND	LATCH	LATCH	GROUND	LATCH



PROPRIETARY NOTE

THIS DOCUMENT CONTAINS INFORMATION CONFIDENTIAL AND PROPRIETARY TO SAMTEC, INC. AND SHALL NOT BE REPRODUCED OR TRANSFERRED TO OTHER DOCUMENTS OR DISCLOSED TO OTHERS OR USED FOR ANY PURPOSE OTHER THAN THAT WHICH IT WAS OBTAINED WITHOUT THE EXPRESSED WRITTEN CONSENT OF SAMTEC, INC.



520 PARK EAST BLVD, NEW ALBANY, IN 47150
PHONE: 812-944-6733 FAX: 812-948-5047
e-Mail: info@SAMTEC.com code: 55322

SHEET SCALE: 2:1

DESCRIPTION: CUSTOM HDR CABLE ASSEMBLY

DWG. NO. HDR-142117-XX

BY: Tyler P 8/15/2008 SHEET 2 OF 2