

REVISION

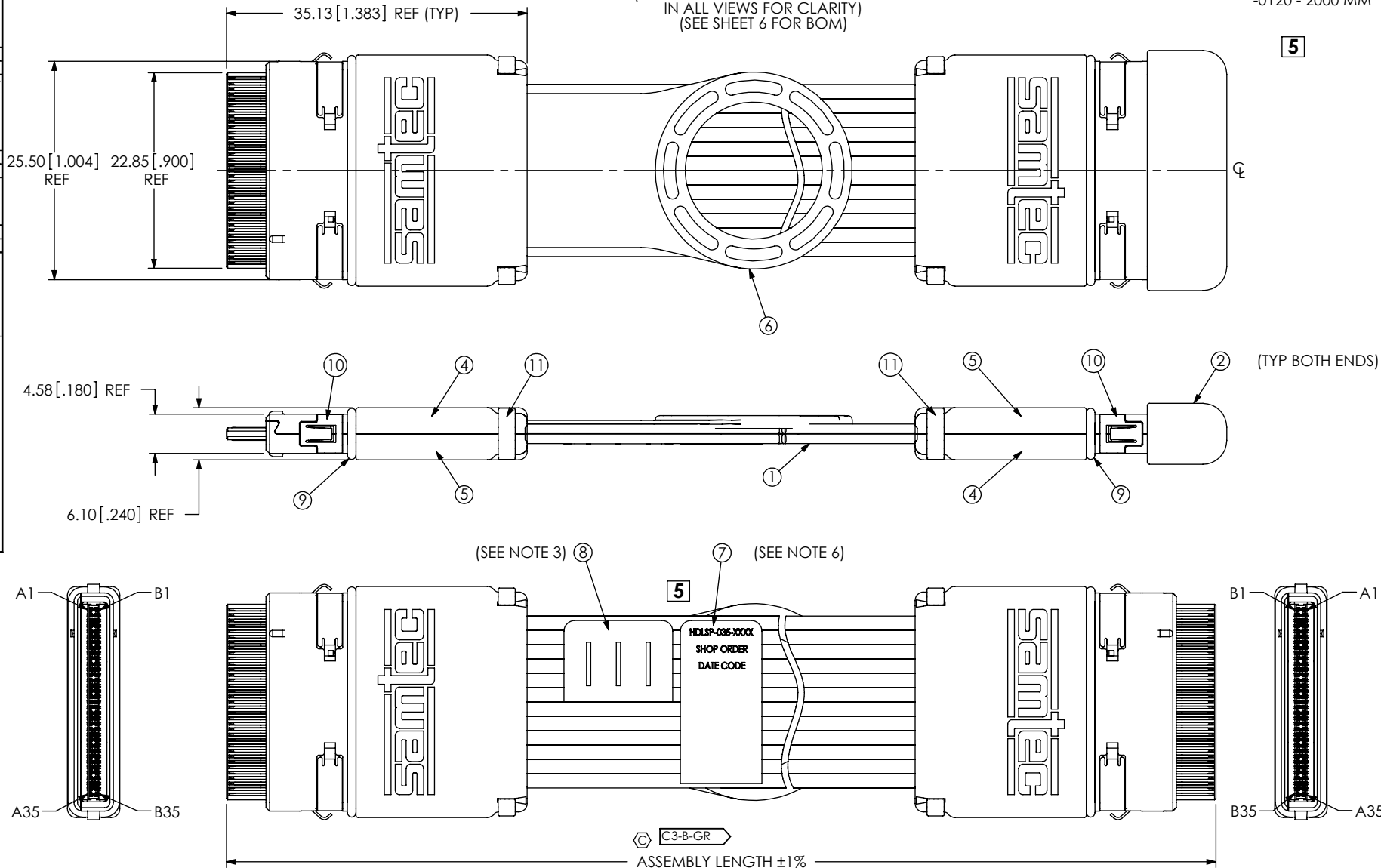
THIS PRODUCT MANUFACTURED WITH LEAD-FREE PROCESSING

DESIGNED & DIMENSIONED IN MILLIMETERS [INCHES]

HDR-149112-XXXX **5**

ASSEMBLY LENGTH
-0120 - 2000 MM

FIG. 1
(SOME COMPONENTS NOT SHOWN IN ALL VIEWS FOR CLARITY)
(SEE SHEET 6 FOR BOM)



2	DS	C ROSE
11/8/2010	ECN-142398	
SHT 3, IN PROCESS 1: CHG SUB-TTF-32100-01-01-XXXX-TB TO SUB-TTF-32100-12-01-XXXX-TB; SHT 6, BOM: CHG SUB-TTF-32100-01-01-XXXX, QTY 24 TO SUB-TTF-32100-12-01-XXXX-TB, QTY 2		
3	CW	C ROSE
4/12/2011	ECN-162222	
SHT 3, IN PROCESS 1: CHG SUB-HT3-035-01-S-EM TO SUB-HDR-149112-XXXX, DELETE IN PROCESS 2, SHT 6, BOM TABLE, ITEMS 3: CHG SUB-HT3-035-01-S-EM TO SUB-HDR-149112-XXXX		
4	CW	C ROSE
4/20/2011	ECN-152775	
SHT 2, TABLE 2, UPDATE T1, T2, T11, R0, R2, R11 WITH ASTERISKS AND CALLOUTS		
5	CW	C ROSE
10/12/2011	ECN-164331	
CALLOUT: CHG "HDLSP-035-XXXX" TO "HDLSP-035-XXXX", UNDER ASSEMBLY LENGTH OPTION: CHG -0.12M - 2.00M TO -0.120 TO -2000", ADD NOTE 8, SHT 6, BOM TABLE, ADD ITEM# 13, ADD CPC TABLE, ADD TABLE 2		

NOT RELEASED FOR PRODUCTION
USE FOR QUOTING, PRELIMINARY DESIGN, PROTOTYPING AND INFORMATIONAL PURPOSES ONLY

NOTES:

C1-B-ET
C2-B-ET

- ⊕ REPRESENTS A CRITICAL DIMENSION.
- ALL ASSEMBLIES TO BE 100% ELECTRICALLY TESTED FOR SHORTS AND OPENS.
- ALL ASSEMBLIES TO BE HI-POT TESTED AT 300V.
AFTER FINAL ELECTRICAL TEST, LABEL EACH ASSEMBLY WITH 1 LABEL-ET.
- WRAP ENDS IN BUBBLE WRAP AND PACKAGE IN CLEAR POLY-BAGS.
- MEASURE 6.10 DIMENSION ACROSS DIE CASTINGS, 2.0mm FROM BACK EDGE OF DIE CASTINGS.
- HDRL-11 IS TO BE CENTERED ON CABLE AS SHOWN.
HDRL-11 IS TO CONTAIN: PART NUMBER, SHOP ORDER & DATE CODE.
- CABLE FOR OC ROUTING IS 30.8mm SHORTER THAN OVERALL CABLE ASSEMBLY CABLE LENGTH.
- FOR ASSEMBLY LENGTHS 450MM & LONGER, WRAP THE CABLES WITH ELECTRICAL TAPE AT SYMMETRICAL INTERVALS APPROXIMATELY 1 FT APART. CUT TAPE INTO 3" LENGTHS.

UNLESS OTHERWISE SPECIFIED, DIMENSIONS ARE IN MILLIMETERS. TOLERANCES ARE:
DECIMALS ANGLES
X.X: ±0.3 [.01] 2°
X.XX: ±0.13 [.005]
X.XXX: ±0.051 [.0020]

PROPRIETARY NOTE
THIS DOCUMENT CONTAINS INFORMATION CONFIDENTIAL AND PROPRIETARY TO SAMTEC, INC. AND SHALL NOT BE REPRODUCED OR TRANSFERRED TO OTHER DOCUMENTS OR DISCLOSED TO OTHERS OR USED FOR ANY PURPOSE OTHER THAN THAT WHICH IT WAS OBTAINED WITHOUT THE EXPRESSED WRITTEN CONSENT OF SAMTEC, INC.



520 PARK EAST BLVD., NEW ALBANY, IN 47150
PHONE: 812-944-6733 FAX: 812-948-5047
e-Mail: info@SAMTEC.com code 53322

MATERIAL: DO NOT SCALE DRAWING SHEET SCALE: 1:0.666667
INSULATOR: LCP
TERMINAL: PHOS BRONZE
CABLE MATERIAL: JACKET: PVC
INSULATOR: DIELECTRIC
CONDUCTORS: COPPER
BRAID: TINNED COPPER
COVERS: DIECAST ZINC ALLOY

DESCRIPTION:
CABLE ASSEMBLY, HYPERTRANSPORT CONN.
DWG. NO.
HDR-149112-XXXX
BY: R MUSSER 12/18/2009 SHEET 1 OF 6

5

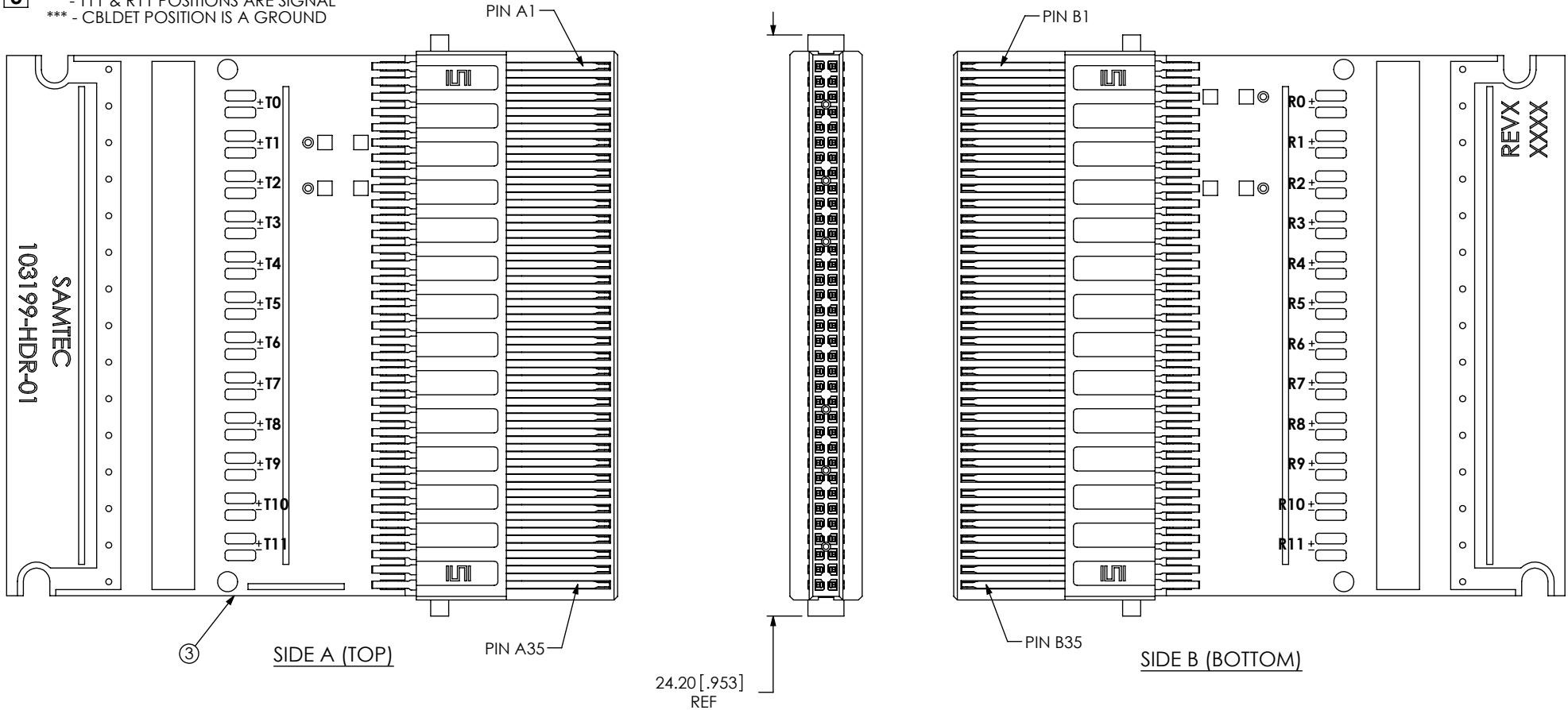
3

TABLE 1 (USE CABLE P/N SUB-TTF-32100-01-01-XX.XX)

PAIR	T0			T1			T2			T3			T4			T5			T6			T7			T8			T9			T10			T11							
PIN	A1	A2	A3	A4	A5	A6	A7	A8	A9	A10	A11	A12	A13	A14	A15	A16	A17	A18	A19	A20	A21	A22	A23	A24	A25	A26	A27	A28	A29	A30	A31	A32	A33	A34	A35						
	POS	NEG	GND	POS	NEG	*SMO	POS	NEG	*VCC	POS	NEG	GND	POS	NEG	GND	POS	NEG	GND	POS	NEG	GND	POS	NEG	GND	POS	NEG	GND	POS	NEG	GND	POS	NEG	GND	POS	NEG	GND	**LDTSTOP_n	**LOTREQ_n			
***	POS	NEG	*SMO	POS	NEG	GND	POS	NEG	*VCC	POS	NEG	GND	POS	NEG	GND	POS	NEG	GND	POS	NEG	GND	POS	NEG	GND	POS	NEG	***CBLDET	POS	NEG	GND	POS	NEG	GND	POS	NEG	GND	POS	NEG	GND	**RESET_n	**PWROK
PIN	B1	B2	B3	B4	B5	B6	B7	B8	B9	B10	B11	B12	B13	B14	B15	B16	B17	B18	B19	B20	B21	B22	B23	B24	B25	B26	B27	B28	B29	B30	B31	B32	B33	B34	B35						
PAIR	R0			R1			R2			R3			R4			R5			R6			R7			R8			R9			R10			R11							

3

- * - SMO & VCC POSITIONS ARE OPEN
- ** - T11 & R11 POSITIONS ARE SIGNAL
- *** - CBLDET POSITION IS A GROUND



PROPRIETARY NOTE
 THIS DOCUMENT CONTAINS INFORMATION CONFIDENTIAL AND PROPRIETARY TO SAMTEC, INC. AND SHALL NOT BE REPRODUCED OR TRANSFERRED TO OTHER DOCUMENTS OR DISCLOSED TO OTHERS OR USED FOR ANY PURPOSE OTHER THAN THAT WHICH IT WAS OBTAINED WITHOUT THE EXPRESSED WRITTEN CONSENT OF SAMTEC, INC.

DO NOT SCALE DRAWING

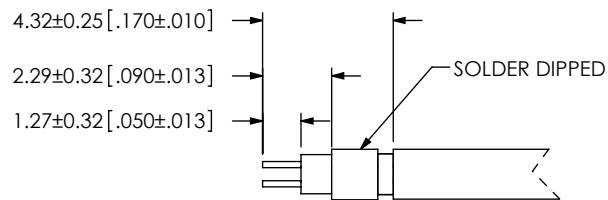
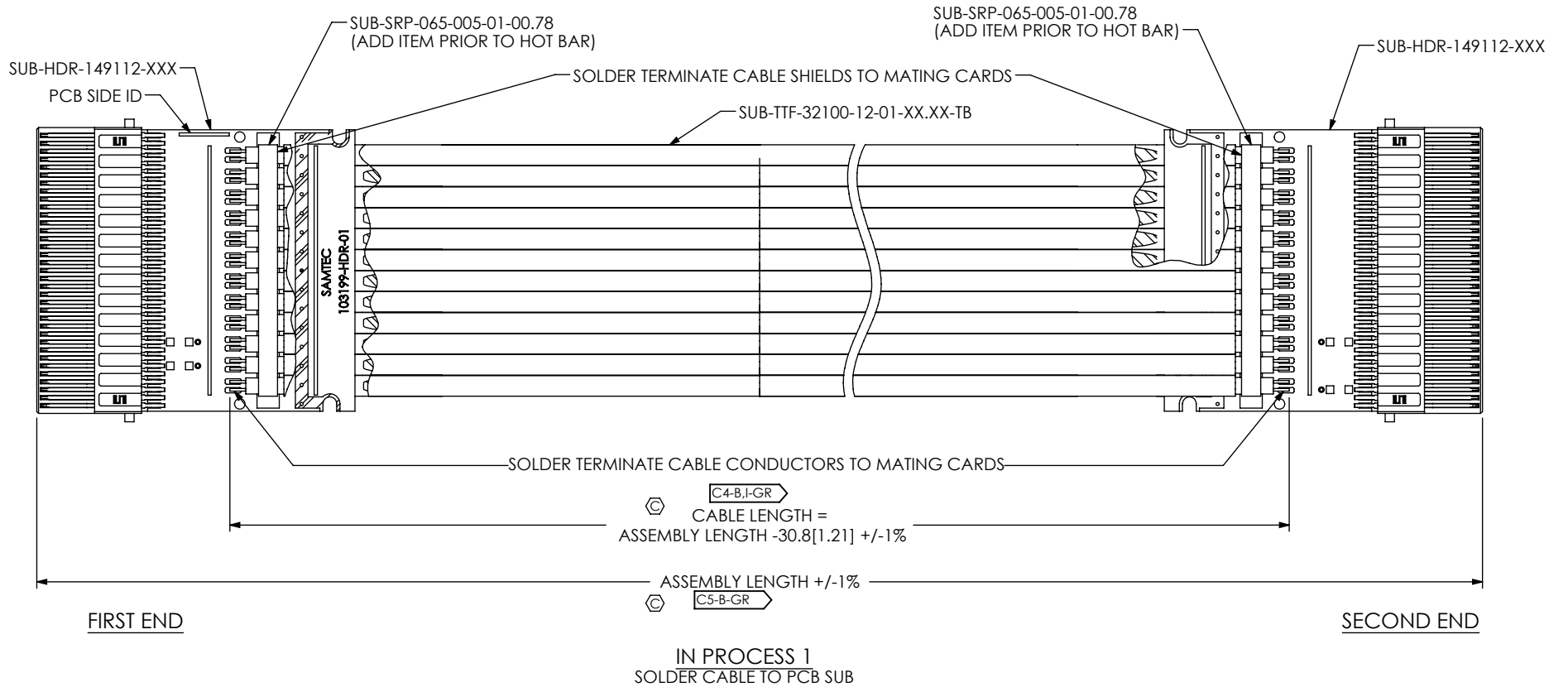
SHEET SCALE: 2:1

samtec
 520 PARK EAST BLVD, NEW ALBANY, IN 47150
 PHONE: 812-944-6733 FAX: 812-948-5047
 e-Mail info@SAMTEC.com code 55322

DESCRIPTION:
 CABLE ASSEMBLY, HYPERTRANSPORT CONN.

DWG. NO.
HDR-149112-XXXX

BY: R MUSSER 12/18/2009 SHEET 2 OF 6



STRIP DIMS

PROPRIETARY NOTE
 THIS DOCUMENT CONTAINS INFORMATION
 CONFIDENTIAL AND PROPRIETARY TO
 SAMTEC, INC. AND SHALL NOT BE REPRODUCED
 OR TRANSFERRED TO OTHER DOCUMENTS OR
 DISCLOSED TO OTHERS OR USED FOR ANY
 PURPOSE OTHER THAN THAT WHICH IT WAS
 OBTAINED WITHOUT THE EXPRESSED WRITTEN
 CONSENT OF SAMTEC, INC.

DO NOT SCALE DRAWING

SHEET SCALE: 1:1



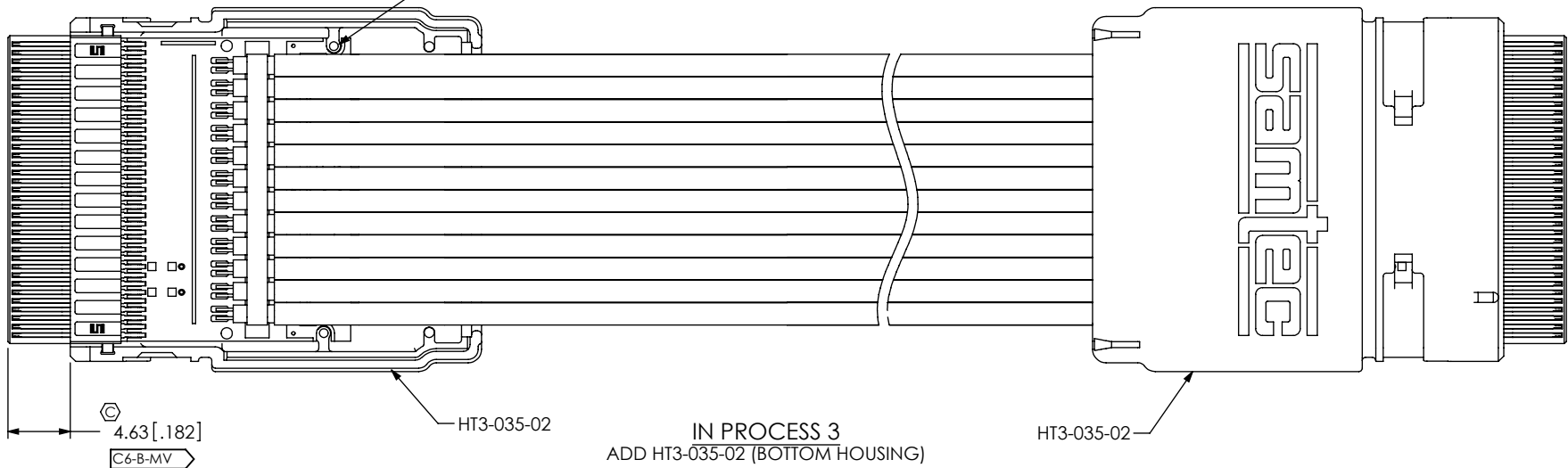
520 PARK EAST BLVD, NEW ALBANY, IN 47150
 PHONE: 812-944-6733 FAX: 812-948-5047
 e-Mail info@SAMTEC.com code 55322

DESCRIPTION:
 CABLE ASSEMBLY, HYPERTRANSPORT CONN.

DWG. NO.
 HDR-149112-XXXX

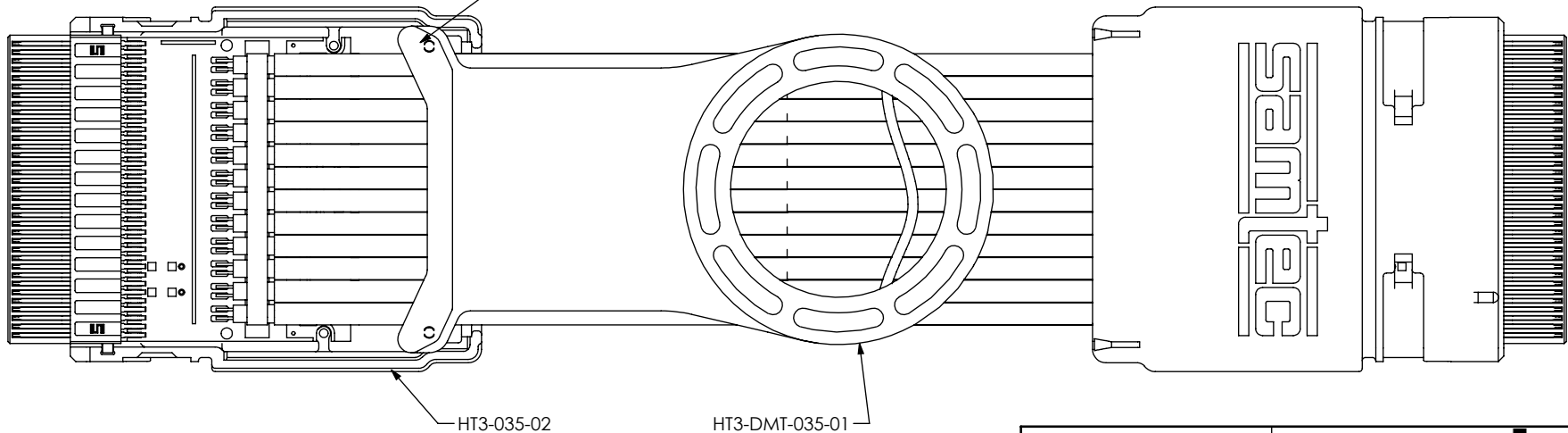
BY: R MUSSER 12/18/2009 SHEET 3 OF 6

PLACE CABLE SUB-ASSY INTO BOTTOM HOUSING
TAKE CARE TO ALIGN OFFSET GUIDE POSTS.



IN PROCESS 3
ADD HT3-035-02 (BOTTOM HOUSING)

PLACE PULL TAB INTO BOTTOM HOUSING
ON BACK POSTS.



IN PROCESS 4
ADD HT3-DMT-035-01 (PULL TAB)
(SECOND END PULL TAB NOT SHOWN FOR CLARITY)

PROPRIETARY NOTE
THIS DOCUMENT CONTAINS INFORMATION
CONFIDENTIAL AND PROPRIETARY TO
SAMTEC, INC. AND SHALL NOT BE REPRODUCED OR
DISCLOSED TO OTHERS OR USED FOR ANY
PURPOSE OTHER THAN THAT WHICH IT WAS
OBTAINED WITHOUT THE EXPRESSED WRITTEN
CONSENT OF SAMTEC, INC.

DO NOT SCALE DRAWING

SHEET SCALE: 1:2

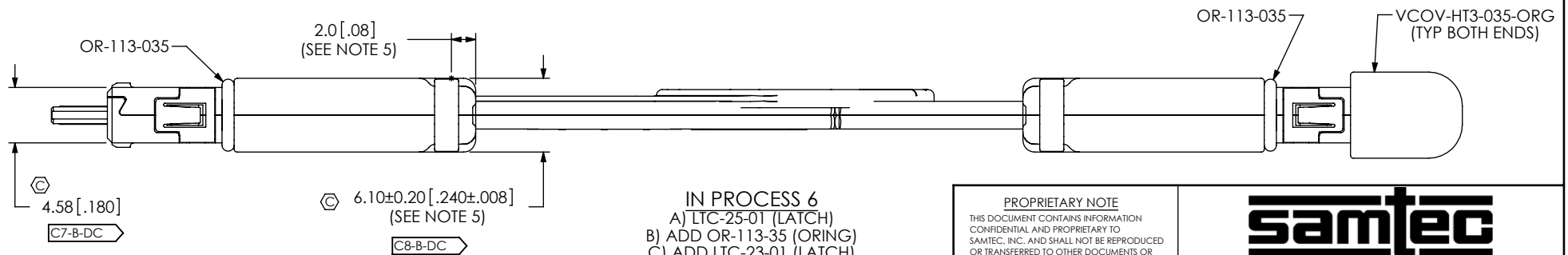
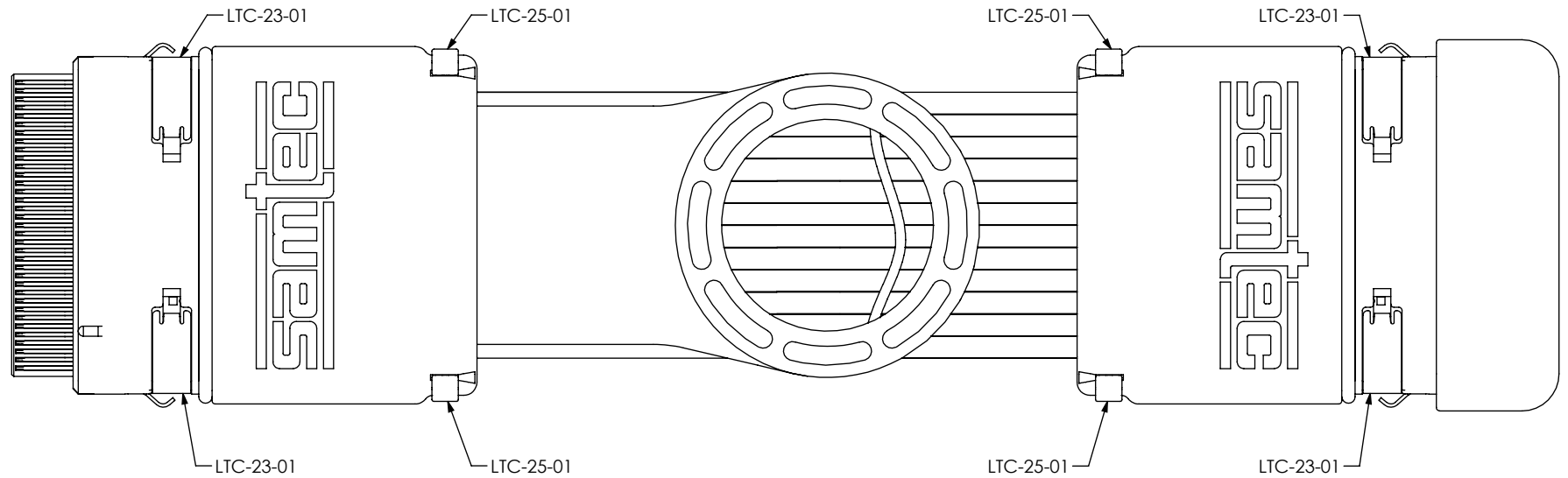
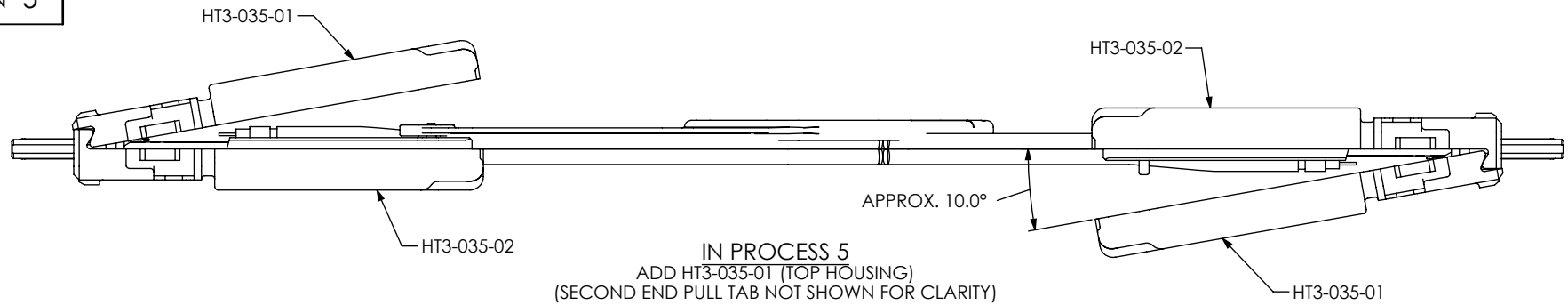
samtec

520 PARK EAST BLVD, NEW ALBANY, IN 47150
PHONE: 812-944-6733 FAX: 812-948-5047
e-Mail info@SAMTEC.com code 55322

DESCRIPTION:
CABLE ASSEMBLY, HYPERTRANSPORT CONN.

DWG. NO.
HDR-149112-XXXX

BY: R MUSSER 12/18/2009 SHEET 4 OF 6



IN PROCESS 6
A) LTC-25-01 (LATCH)
B) ADD OR-113-35 (ORING)
C) ADD LTC-23-01 (LATCH)
D) ADD VCOV-HT3-035-ORG (AFTER E-TEST)

PROPRIETARY NOTE
THIS DOCUMENT CONTAINS INFORMATION
CONFIDENTIAL AND PROPRIETARY TO
SAMTEC, INC. AND SHALL NOT BE REPRODUCED
OR TRANSFERRED TO OTHER DOCUMENTS OR
DISCLOSED TO OTHERS OR USED FOR ANY
PURPOSE OTHER THAN THAT WHICH IT WAS
OBTAINED WITHOUT THE EXPRESSED WRITTEN
CONSENT OF SAMTEC, INC.

DO NOT SCALE DRAWING

SHEET SCALE: 1:2

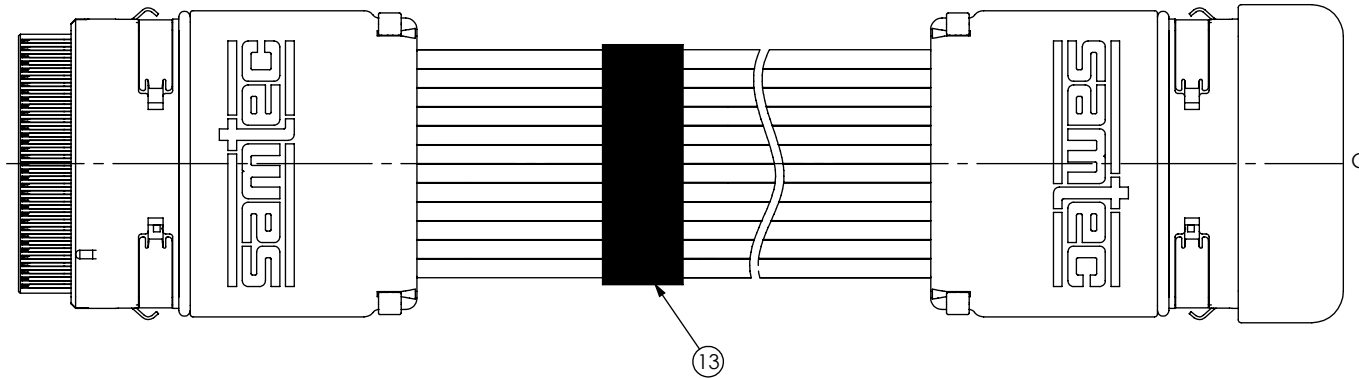


520 PARK EAST BLVD, NEW ALBANY, IN 47150
PHONE: 812-944-6733 FAX: 812-948-5047
e-Mail info@SAMTEC.com code 55322

DESCRIPTION:
CABLE ASSEMBLY, HYPERTRANSPORT CONN.

DWG. NO.
HDR-149112-XXXX

BY: R MUSSER 12/18/2009 SHEET 5 OF 6



HDR-149112-X.XX BOM			
ITEM #	PART #	QTY	DESCRIPTION
IH BOM			
1	SUB-TTF-32100-12-01-XX.XX-TB	2	CABLE
2	VCOV-HT3-035-ORG	2	VINYL
3	SUB-HDR-149112-XXX	2	SUB ASSEMBLY
4	HT3-035-01	2	HOUSING
5	HT3-035-02	2	HOUSING
6	HT3-DMT-035-01	2	PULL TAB
7	HDRL-11	1	LABEL
8	LABEL-ET	1	LABEL
9	OR-113-035	2	"O" RING
10	LTC-23-01	4	LATCH
11	LTC-25-01	4	LATCH
12	SUB-SRP-065-005-01-00.78	4	SAC 305
13	CCS-141647-01-PP	SEE TABLE 2	BLACK ELECTRICAL TAPE

5

ASSEMBLY LENGTH	ITEM #13 QTY
450 - 750	1
751 - 1000	2
1001 - 1350	3
1350 - 1650	4
1651 - 2000	5

5

CRITICAL DIMENSION INSPECTION INSTRUCTION TABLE	
ASSEMBLY OPERATION	IN-PROCESS VIEW INSPECTION
SOLDER CABLE TO PCB	C4, C5
ADD BOTTOM HOUSING	C6
ADD LATCH, O-RING & CAP	C7, C8

PROPRIETARY NOTE
 THIS DOCUMENT CONTAINS INFORMATION CONFIDENTIAL AND PROPRIETARY TO SAMTEC, INC. AND SHALL NOT BE REPRODUCED OR TRANSFERRED TO OTHER DOCUMENTS OR DISCLOSED TO OTHERS OR USED FOR ANY PURPOSE OTHER THAN THAT WHICH IT WAS OBTAINED WITHOUT THE EXPRESSED WRITTEN CONSENT OF SAMTEC, INC.

DO NOT SCALE DRAWING

SHEET SCALE: 1:2



520 PARK EAST BLVD, NEW ALBANY, IN 47150
 PHONE: 812-944-6733 FAX: 812-948-5047
 e-Mail info@SAMTEC.com code 55322

DESCRIPTION:
 CABLE ASSEMBLY, HYPERTRANSPORT CONN.

DWG. NO. HDR-149112-XXXX

BY: R MUSSER 12/18/2009 SHEET 6 OF 6